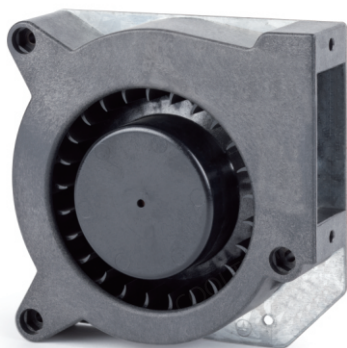


DC BLOWER 121x121x37mm



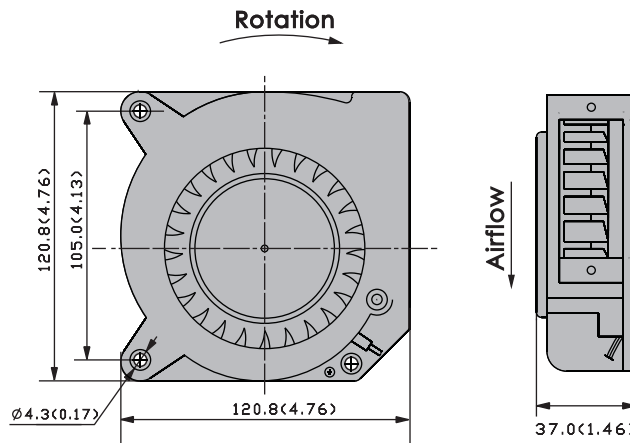
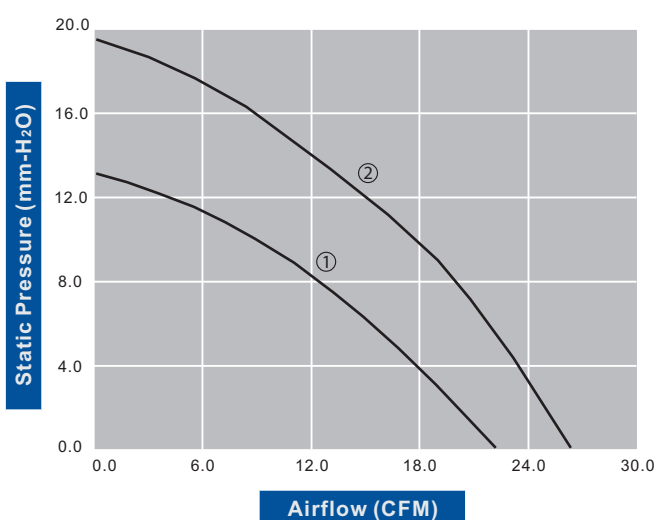
ES IP SF

Spiral Housing: Fiberglass-Reinforced Polycarbonate
 Housing Base: Galvanized Steel Plate
 Blade: Thermoplastic PBT, UL 94V-0
 Insulation Resistance: 10MΩ, 500VDC/min between bare wire and frame
 Dielectric Strength: 5mA max. 500VAC/min between bare wire and frame
 Operation Temperature: -20°C~70°C(Humidity 15%-90%RH)
 Storage Temperature: -40°C~85°C(Humidity 15%-90%RH)
 Lead Wire: UL Type #24 AWG
 Weight: 500 g

Model Number	Voltage (VDC)	Op. Voltage (VDC)	AirFlow (CFM)	Static Pres. (mm-H ₂ O)	Noise (dBA)	Speed (RPM)	Current (mA)	Power (W)	Available Bearing	Additional Function (See Page 3)	Curves
FBD1237B12W5-51 ★	12	9.0~13.8	22.00	13.20	52.00	2,500	630	7.56	B,S	P	①
FBD1237B12W7-51 ★	12	9.0~13.8	26.00	19.30	55.00	2,800	950	11.40	B,S	P	②
FBD1237B24W5-51 ★	24	12.0~27.6	22.00	13.20	52.00	2,500	310	7.44	B,S	P	①
FBD1237B24W7-51 ★	24	12.0~27.6	26.00	19.30	55.00	2,800	420	10.08	B,S	P	②
FBD1237B48W5-51 ★	48	24.0~55.2	22.00	13.20	52.00	2,500	160	7.68	B,S	P	①
FBD1237B48W7-51 ★	48	24.0~55.2	26.00	19.30	55.00	2,800	230	11.40	B,S	P	②

- For "Sleeve" bearing version, change the "B" in the model number to "S".
- If model depicts "★", auto restart protection function built in.

Specifications are subject to change without notice



unit: mm(inch)