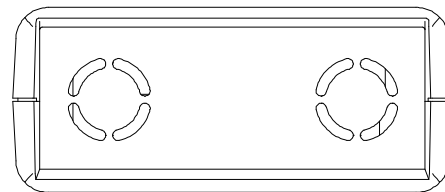


PART NAME

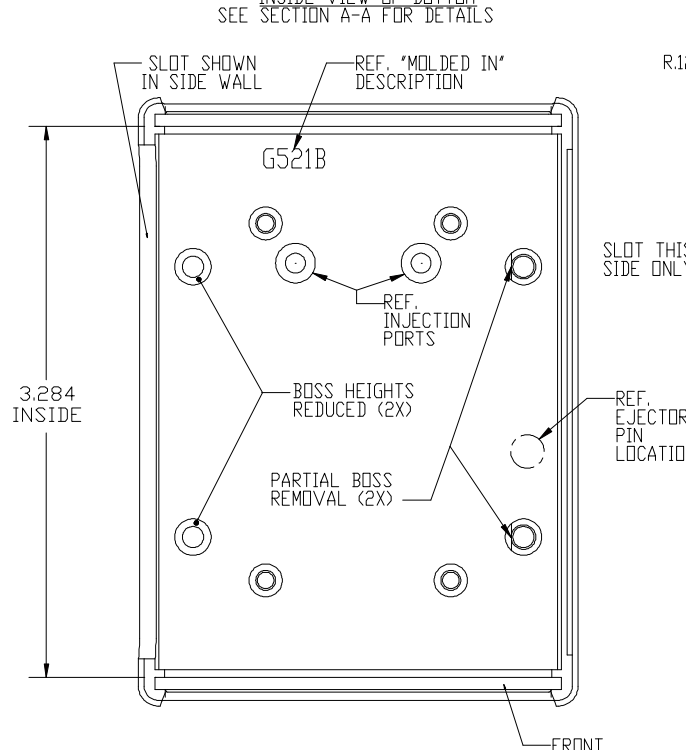
FREEDOM FRDM-KL25Z BOARD ENCLOSURE

PART No.

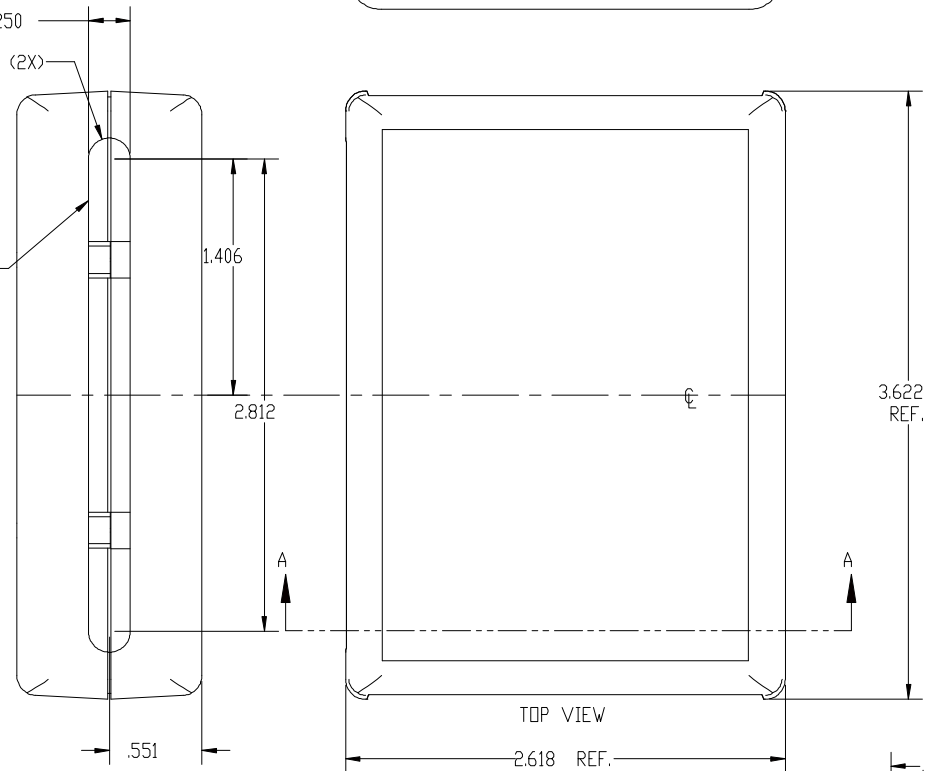
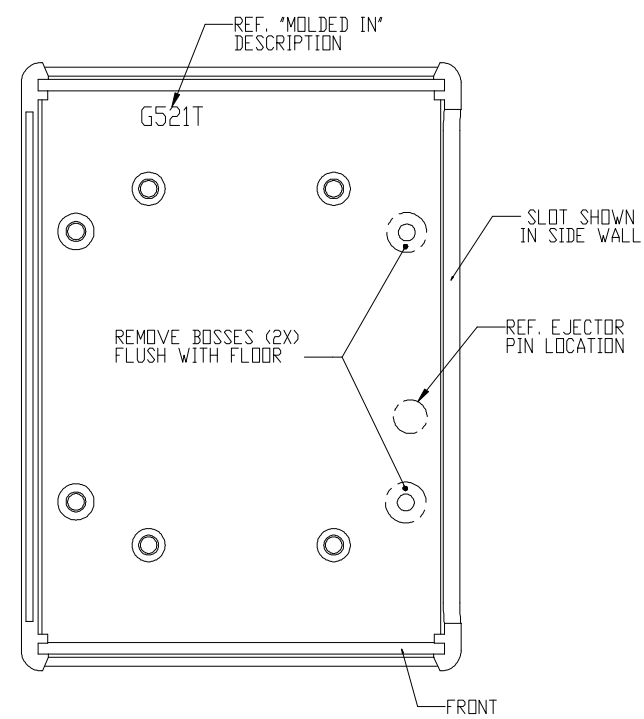
FBB-3665



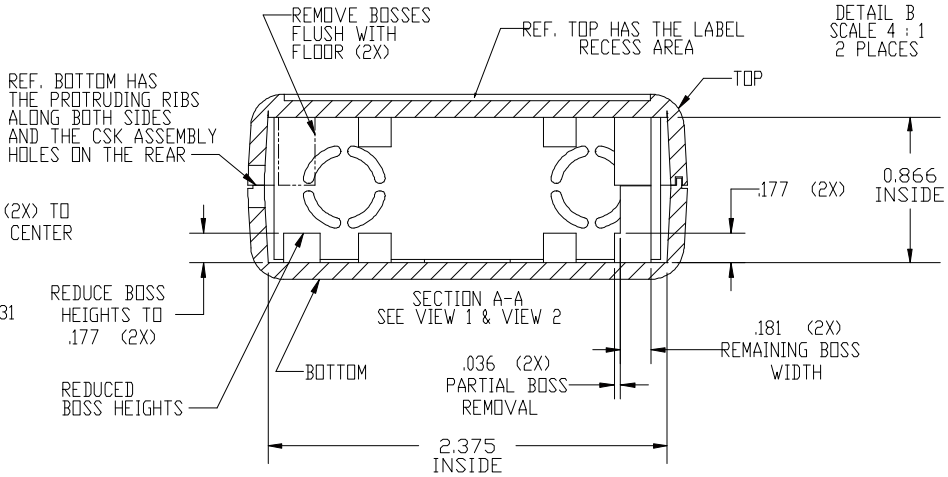
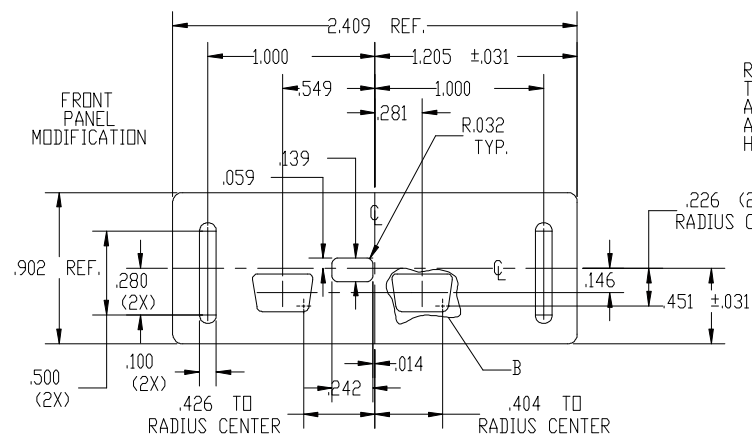
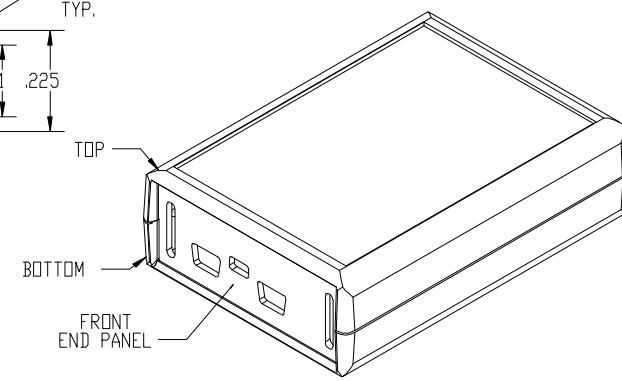
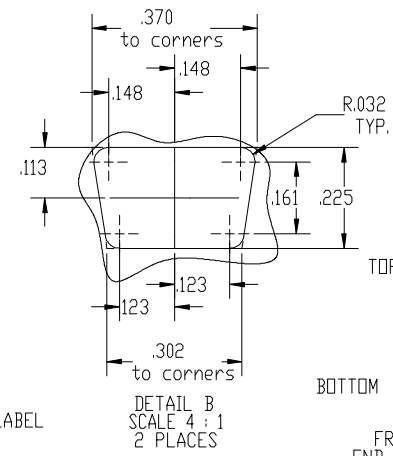
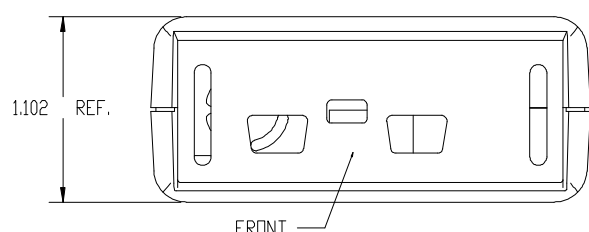
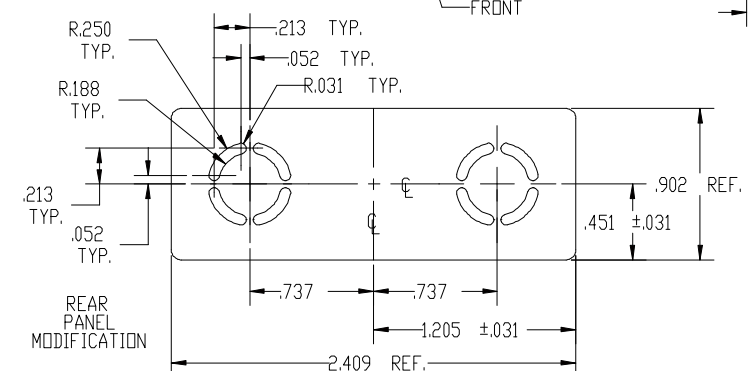
VIEW 1  
INSIDE VIEW OF BOTTOM  
SEE SECTION A-A FOR DETAILS



VIEW 2  
INSIDE VIEW OF TOP  
SEE SECTION A-A FOR DETAILS



TOP VIEW  
2.618 REF.



- NOTES:
1. THIS IS A BUD STANDARD HP-3651-B MODIFIED WITH CUSTOM CUTOUTS, BOSSES REMOVED, AND BOSSES MODIFIED.
  2. MUST BE ASSEMBLED AND ORIENTED AS SHOWN.
  3. MATERIAL/FINISH: ABS/BLACK