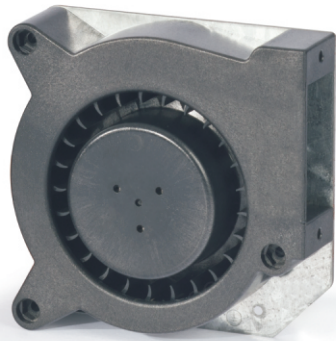


# AC BLOWER 121x121x37mm



Spiral Housing: Fiberglass-Reinforced Polycarbonate  
 Housing Base: Galvanized Steel Plate  
 Blade: Thermoplastic PBT, UL 94V-0  
 Insulation Resistance: 100MΩ, 500VDC/min between bare wire and frame  
 Dielectric Strength: 1500VAC for one minute  
 Operation Temperature: -20°C-70°C(Humidity 35%-85%RH)  
 Storage Temperature: -40°C-85°C(Humidity 35%-85%RH)  
 Motor Protection: Impedance Protected  
 Weight: 625 g



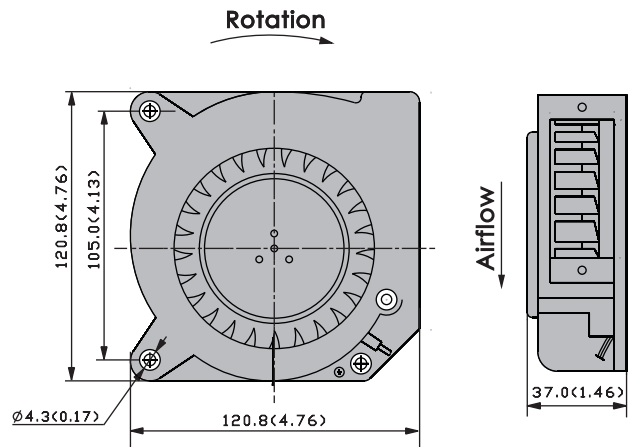
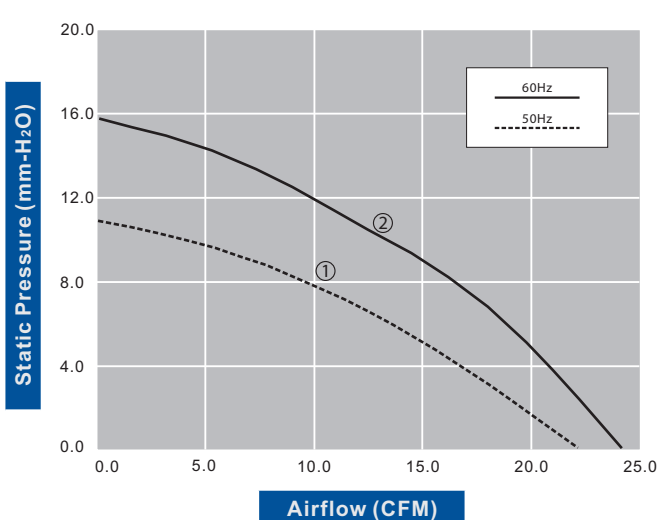
ES

IP

Model Number	Voltage (VAC)	Frequency (Hz)	Air Flow (CFM)	Stat.Pres. (mm-H <sub>2</sub> O)	Noise (dBA)	Speed (RPM)	Current (mA)	Power (W)	Available Bearing	Curves
FBA1237B11W5-51	115	50/60	22.0/23.0	10.7/15.7	53.0/54.0	2,500/2,500	270/240	21/19	B,S	①/②
FBA1237B22W5-51	230	50/60	22.0/23.0	10.7/15.7	53.0/54.0	2,600/2,700	140/120	21/20	B,S	①/②

• For "Sleeve" bearing version, change the "B" in the model number to "S".

Specifications are subject to change without notice



unit: mm(inch)