

AC AXIAL FAN 92x92x38mm



Housing: Die-Cast Aluminum, Painted Black
 Blade: Thermoplastic PBT, UL 94V-0
 Insulation Resistance: 100M Ω , 500VDC/min between bare wire and frame
 Dielectric Strength: 1500VAC for one minute
 Operation Temperature: -10°C-70°C(Humidity 35%-85%RH)
 Storage Temperature: -40°C-85°C(Humidity 35%-85%RH)
 Motor Protection: Impedance Protected
 Weight: 320 g



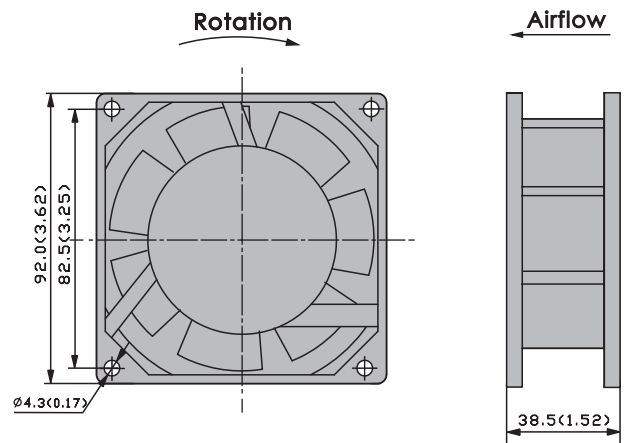
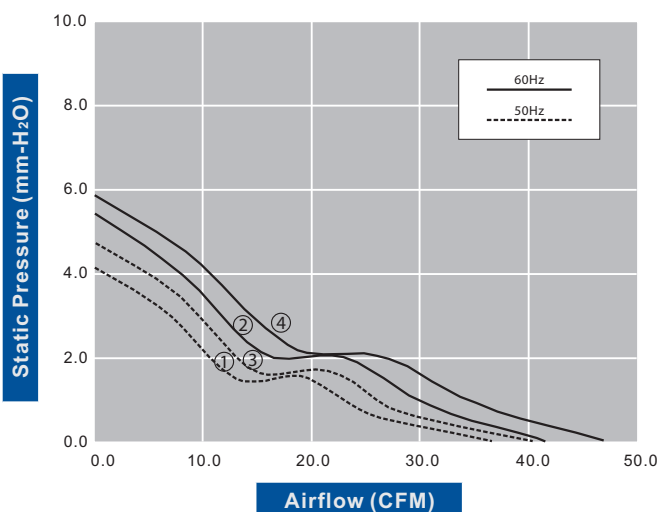
SS

IP

Model Number	Voltage (VAC)	Frequency (Hz)	AirFlow (CFM)	Stat.Pres. (mm-H ₂ O)	Noise (dBA)	Speed (RPM)	Current (mA)	Power (W)	Available Bearing	Curves
FA9238B11T5-96	115	50/60	37.6/42.6	4.1/5.4	35.5/38.4	2,100/2,400	110/90	9/7	B,S	①/②
FA9238B11T7-96	115	50/60	40.6/46.7	4.6/5.9	36.4/40.4	2,200/2,600	140/110	12/9	B,S	③/④
FA9238B22T5-96	230	50/60	37.6/42.6	4.1/5.4	35.5/38.4	2,100/2,400	65/60	11/9	B,S	①/②
FA9238B22T7-96	230	50/60	40.6/46.7	4.6/5.9	36.4/40.4	2,200/2,600	75/60	12/10	B,S	③/④

- For "Sleeve" bearing version, change the "B" in the model number to "S".
- For "Wire Lead" version, change the "T" in the model number to "W".

Specifications are subject to change without notice



unit: mm(inch)

