

AC AXIAL FAN 92x92x25mm



Housing: Die-Cast Aluminum, Painted Black
 Blade: Thermoplastic PBT, UL 94V-0
 Insulation Resistance: 100M Ω , 500VDC/min between bare wire and frame
 Dielectric Strength: 1500VAC for one minute
 Operation Temperature: -10°C~70°C(Humidity 35%-85%RH)
 Storage Temperature: -40°C~85°C(Humidity 35%-85%RH)
 Motor Protection: Impedance Protected
 Weight: 260 g



SS

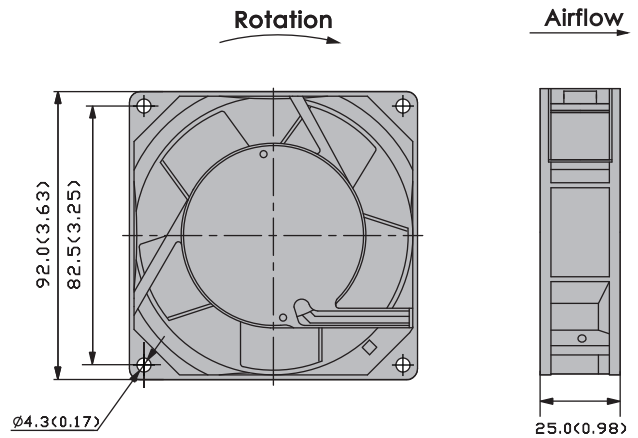
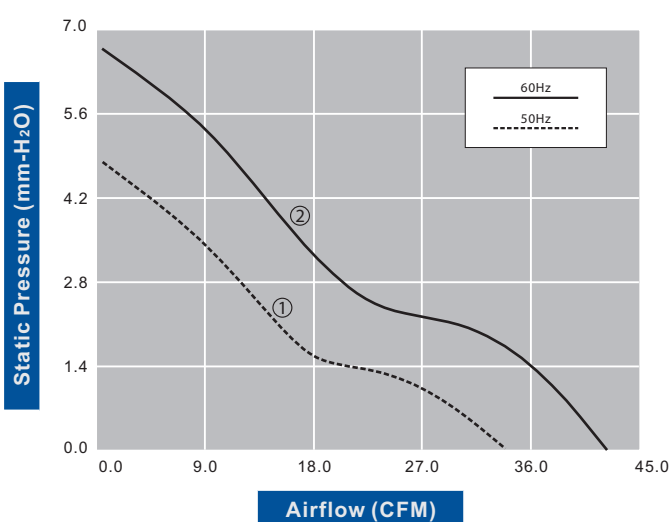
| Model Number | Voltage (VAC) | Frequency (Hz) | AirFlow (CFM) | Stat.Pres. (mm-H ₂ O) | Noise (dBA) | Speed (RPM) | Current (mA) | Power (W) | Available Bearing | Curves |
|----------------|---------------|----------------|---------------|----------------------------------|-------------|-------------|--------------|-----------|-------------------|--------|
| FA9225B11T7-91 | 115 | 50/60 | 33.5/40.6 | 4.7/6.7 | 31.5/35.5 | 2,500/3,000 | 100/80 | 11/8 | B,S | ①/② |
| FA9225B22T7-91 | 230 | 50/60 | 33.5/40.6 | 4.7/6.7 | 31.5/35.5 | 2,500/3,000 | 60/50 | 12/9 | B,S | ①/② |

- For "Sleeve" bearing version, change the "B" in the model number to "S".
- For "Wire Lead" version, change the "T" in the model number to "W".

Specifications are subject to change without notice



AC Axial Fans



unit: mm(inch)