

AC AXIAL FAN 80x80x38mm



Housing: Die-Cast Aluminum, Painted Black
 Blade: Thermoplastic PBT, UL 94V-0
 Insulation Resistance: 100M Ω , 500VDC/min between bare wire and frame
 Dielectric Strength: 1500VAC for one minute
 Operation Temperature: -20°C-70°C(Humidity 35%-85%RH)
 Storage Temperature: -40°C-85°C(Humidity 35%-85%RH)
 Motor Protection: Impedance Protected
 Weight: 232 g



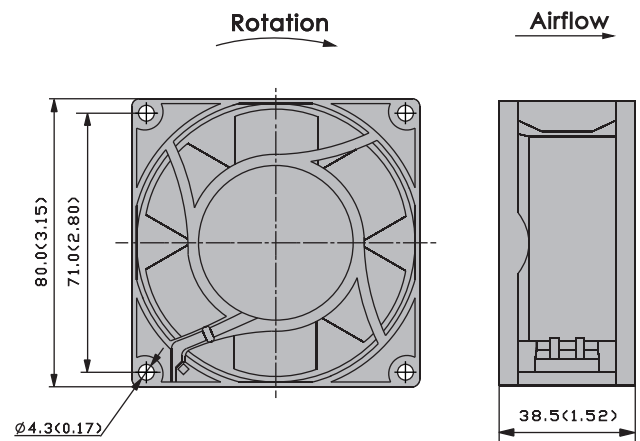
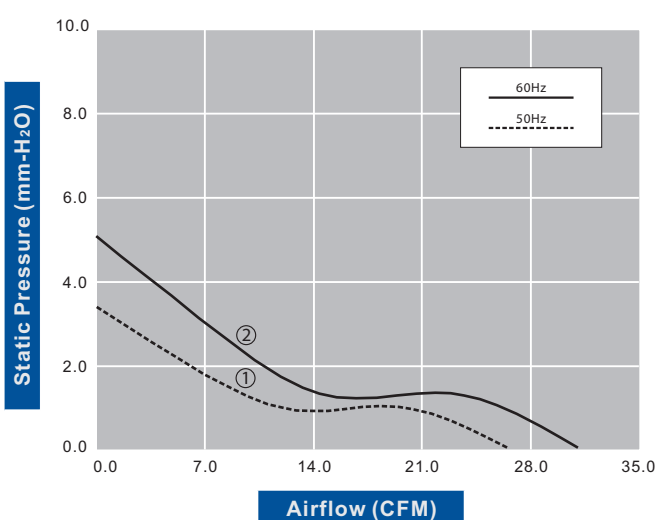
ES **IP**

Model Number	Voltage (VAC)	Frequency (Hz)	Air Flow (CFM)	Stat.Pres. (mm-H ₂ O)	Noise (dBA)	Speed (RPM)	Current (mA)	Power (W)	Available Bearing	Curves
FA8038B11T7-51	115	50/60	26.0/31.0	3.4/5.0	35.0/39.0	2,700/3,100	150/120	11/9	B,S	①/②
FA8038B22T7-51	230	50/60	26.0/31.0	3.4/5.0	35.0/39.0	2,700/3,100	80/60	11/9	B,S	①/②

- For "Sleeve" bearing version, change the "B" in the model number to "S".
- For "Wire Lead" version, change the "T" in the model number to "W".

Specifications are subject to change without notice

AC Axial Fans



unit: mm(inch)