

AC AXIAL FAN

Ø 254x89mm



Housing: Die-Cast Aluminum, Painted Black
 Blade: Thermoplastic PBT, UL 94V-0
 Insulation Resistance: 100M Ω , 500VDC/min between bare wire and frame
 Dielectric Strength: 1500VAC for one minute
 Operation Temperature: -10°C~70°C(Humidity 35%-85%RH)
 Storage Temperature: -40°C~85°C(Humidity 35%-85%RH)
 Motor Protection: Thermal Protected
 Weight: 1780 g

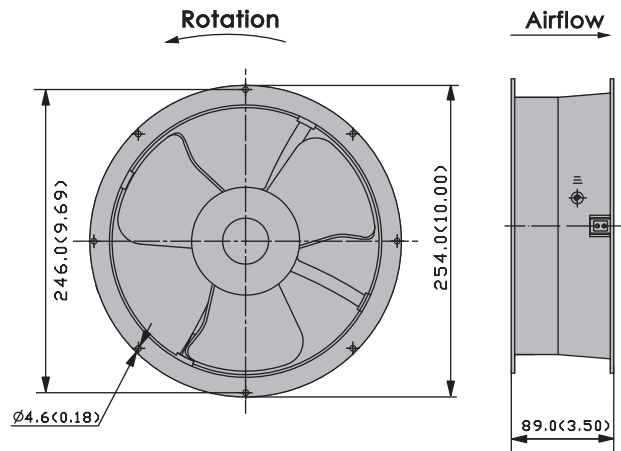
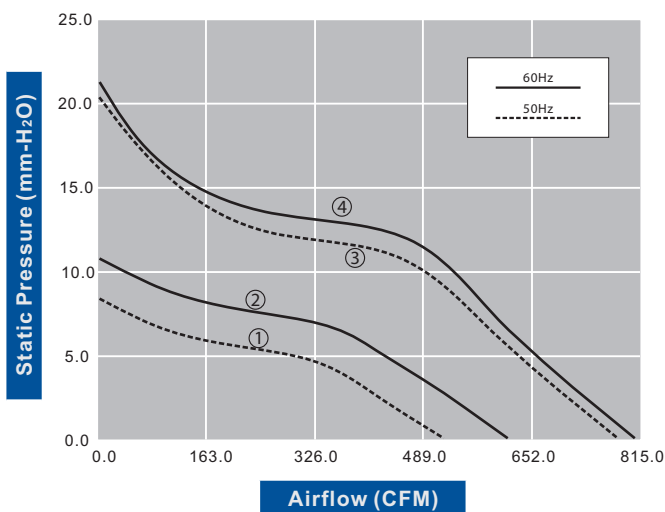


SS

Model Number	Voltage (VAC)	Frequency (Hz)	AirFlow (CFM)	Stat.Pres. (mm-H ₂ O)	Noise (dBA)	Speed (RPM)	Current (mA)	Power (W)	Available Bearing	Curves
FA2589B11T7C-91	115	50/60	517.7/609.0	8.2/10.6	47.3/55.2	1,450/1,850	450/360	43/36	B	①/②
FA2589B11T9C-91	115	50/60	771.4/812.0	20.1/21.1	76.8/82.7	2,500/2,700	1000/1000	120/130	B	③/④
FA2589B22T7C-91	230	50/60	517.7/609.0	8.2/10.6	47.3/55.2	1,450/1,850	240/200	45/38	B	①/②
FA2589B22T9C-91	230	50/60	771.4/812.0	20.1/21.1	76.8/82.7	2,500/2,700	450/600	100/125	B	③/④

• For "Wire Lead" version, change the "T" in the model number to "W".

Specifications are subject to change without notice



unit: mm(inch)

