

AC AXIAL FAN 172x150x55mm (Metal Impeller)



Housing: Die-Cast Aluminum, Painted Black
 Blade: Iron in Black
 Insulation Resistance: 100M Ω , 500VDC/min between bare wire and frame
 Dielectric Strength: 1500VAC for one minute
 Operation Temperature: -10°C~70°C(Humidity 35%-85%RH)
 Storage Temperature: -40°C~85°C(Humidity 35%-85%RH)
 Motor Protection: Thermal Protected
 Weight: 850 g



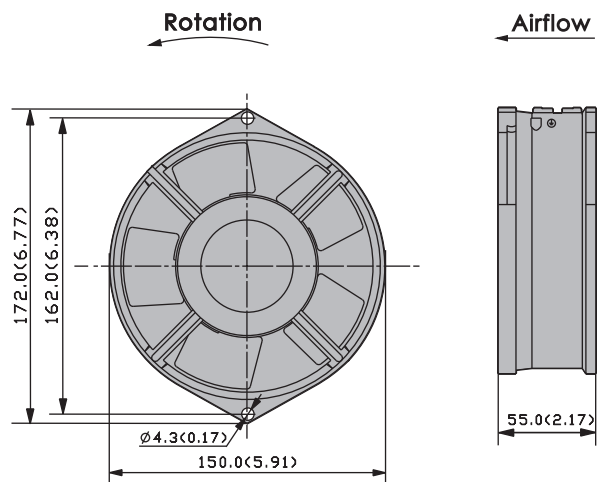
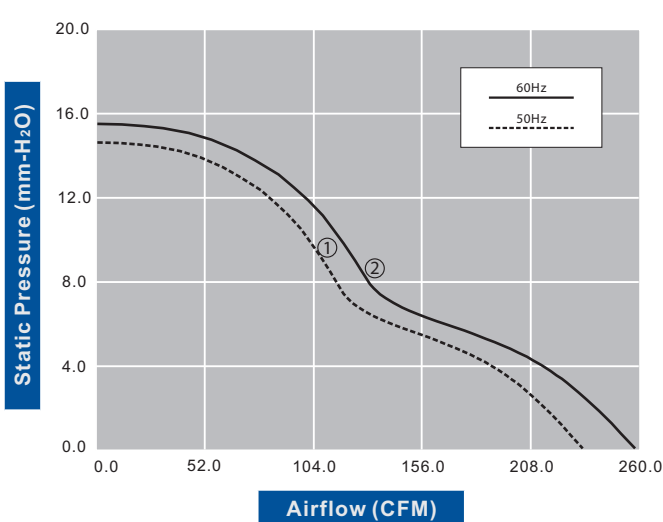
SS

Model Number	Voltage (VAC)	Frequency (Hz)	AirFlow (CFM)	Stat.Pres. (mm-H ₂ O)	Noise (dBA)	Speed (RPM)	Current (mA)	Power (W)	Available Bearing	Curves
FA1755B11W7C-93	115	50/60	233.5/258.8	14.2/15.4	50.2/54.2	2,800/3,200	250/230	29/28	B	①/②
FA1755B22W7C-93	230	50/60	228.4/253.8	13.9/15.2	50.2/54.2	2,750/3,200	140/120	28/27	B	①/②

Specifications are subject to change without notice



AC Axial Fans



unit: mm(inch)