

AC AXIAL FAN 172x151x51mm



Housing: Die-Cast Aluminum, Painted Black
 Blade: Thermoplastic PBT, UL 94V-0
 Insulation Resistance: 100M Ω , 500VDC/min between bare wire and frame
 Dielectric Strength: 1500VAC for one minute
 Operation Temperature: -20°C-70°C(Humidity 35%-85%RH)
 Storage Temperature: -40°C-85°C(Humidity 35%-85%RH)
 Motor Protection: Impedance/Thermal Protected
 Weight: 875 g



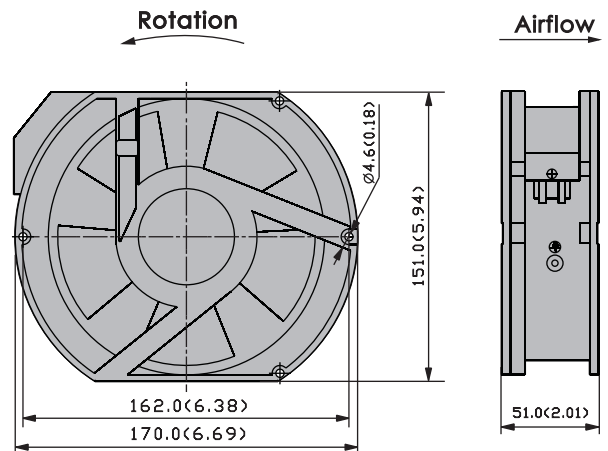
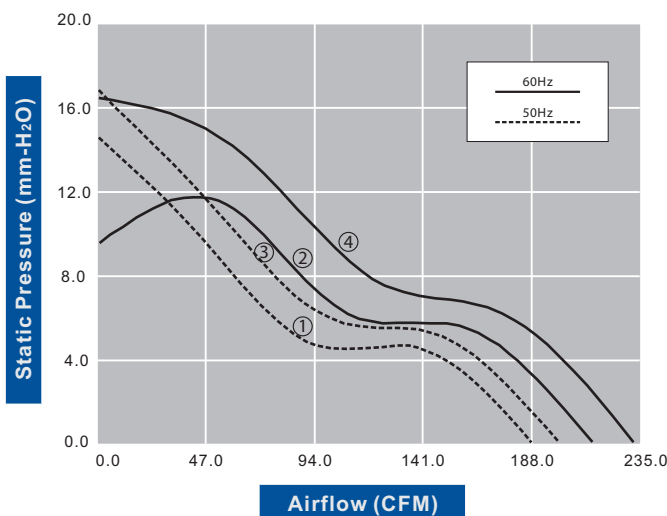
ES IP

Model Number	Voltage (VAC)	Frequency (Hz)	AirFlow (CFM)	Stat.Pres. (mm-H ₂ O)	Noise (dBA)	Speed (RPM)	Current (mA)	Power (W)	Available Bearing	Curves
FA1751B11T7-52	115	50/60	178.0/210.0	14.3/9.4	54.0/58.0	2,800/3,300	760/530	47/36	B	①/②
FA1751B22T7-52	230	50/60	183.0/212.0	14.3/9.4	54.0/58.0	2,800/3,300	410/290	51/39	B	③/④
FA1751B11T7C-52	115	50/60	198.0/226.0	16.7/16.3	57.0/61.0	2,900/3,300	220/280	25/31	B	①/②
FA1751B22T7C-52	230	50/60	198.0/230.0	16.7/16.3	57.0/61.0	2,900/3,300	110/150	25/32	B	③/④

• For "Wire Lead" version, change the "T" in the model number to "W".

Specifications are subject to change without notice

AC Axial Fans



unit: mm(inch)