

AC AXIAL FAN 172x150x51mm



Housing: Die-Cast Aluminum, Painted Black
 Blade: Thermoplastic PBT, UL 94V-0
 Insulation Resistance: 100M Ω , 500VDC/min between bare wire and frame
 Dielectric Strength: 1500VAC for one minute
 Operation Temperature: -10°C~70°C(Humidity 35%-85%RH)
 Storage Temperature: -40°C~85°C(Humidity 35%-85%RH)
 Motor Protection: Impedance Protected
 Weight: 880 g

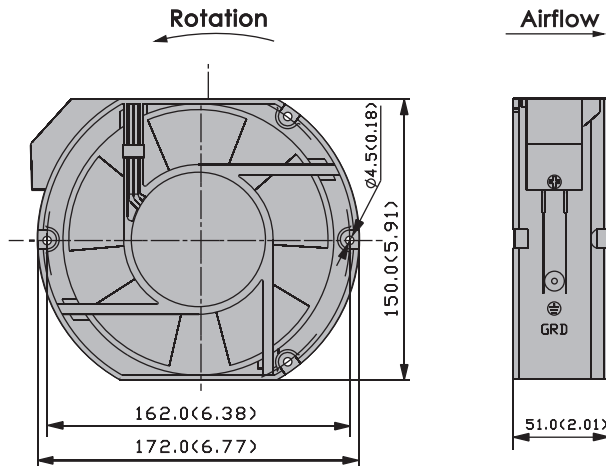
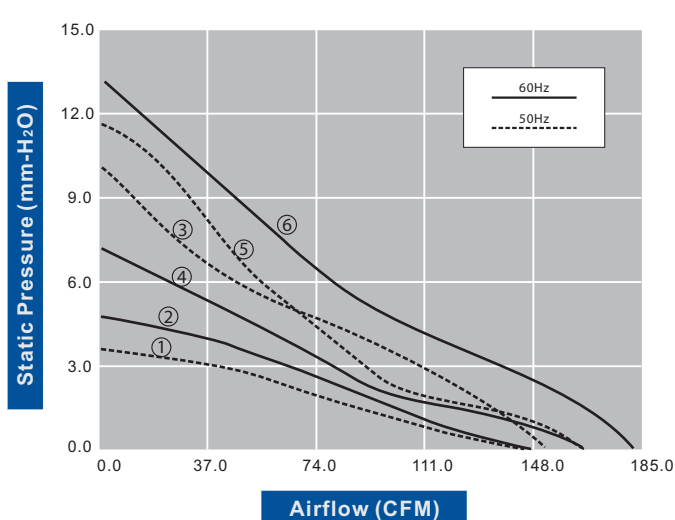


SS

Model Number	Voltage (VAC)	Frequency (Hz)	AirFlow (CFM)	Stat.Pres. (mm-H ₂ O)	Noise (dBA)	Speed (RPM)	Current (mA)	Power (W)	Available Bearing	Curves
FA1751B11T3-61	115	50/60	139.1/143.1	3.5/4.7	44.3/46.3	2,200/2,400	400/400	20/20	B	①/②
FA1751B11T5-61	115	50/60	150.2/162.4	10.0/7.1	48.3/50.2	2,500/2,700	500/500	28/27	B	③/④
FA1751B11T7-61	115	50/60	162.4/182.7	11.5/13.2	50.2/54.2	2,700/3,000	600/600	47/41	B	⑤/⑥
FA1751B22T3-61	230	50/60	139.1/143.1	3.5/4.7	44.3/46.3	2,200/2,400	200/200	20/20	B	①/②
FA1751B22T5-61	230	50/60	150.2/162.4	10.0/7.1	48.3/50.2	2,500/2,700	300/300	28/27	B	③/④
FA1751B22T7-61	230	50/60	162.4/182.7	11.5/13.2	50.2/54.2	2,700/3,000	400/400	47/41	B	⑤/⑥

• For "Wire Lead" version, change the "T" in the model number to "W".

Specifications are subject to change without notice



unit: mm(inch)