

AC AXIAL FAN

Ø 170x51mm



Housing: Die-Cast Aluminum, Painted Black
 Blade: Thermoplastic PBT, UL 94V-0
 Insulation Resistance: 100M Ω , 500VDC/min between bare wire and frame
 Dielectric Strength: 1500VAC for one minute
 Operation Temperature: -20°C-70°C(Humidity 35%-85%RH)
 Storage Temperature: -40°C-85°C(Humidity 35%-85%RH)
 Motor Protection: Thermal Protected
 Weight: 875 g

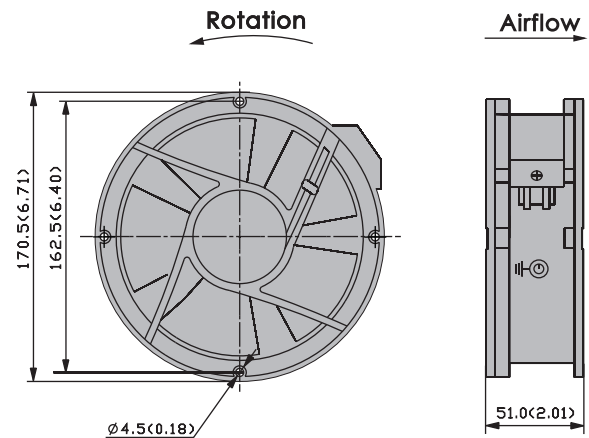
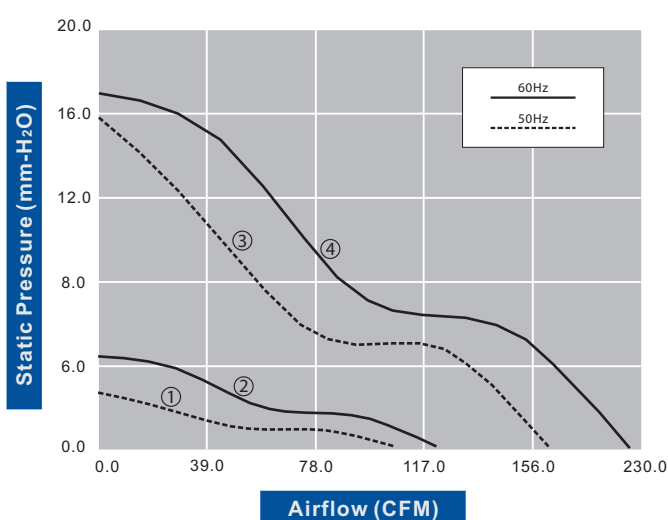


ES **IP**

| Model Number | Voltage (VAC) | Frequency (Hz) | AirFlow (CFM) | Stat.Pres. (mm-H ₂ O) | Noise (dBA) | Speed (RPM) | Current (mA) | Power (W) | Available Bearing | Curves |
|-----------------|---------------|----------------|---------------|----------------------------------|-------------|-------------|--------------|-----------|-------------------|--------|
| FA1751B11T5C-51 | 115 | 50/60 | 100.0/121.0 | 4.6/6.4 | 39.0/44.0 | 1,450/1,750 | 150/150 | 17/16 | B | ①/② |
| FA1751B11T7C-51 | 115 | 50/60 | 195.0/225.0 | 15.5/16.8 | 57.0/61.0 | 2,900/3,300 | 220/280 | 25/31 | B | ③/④ |
| FA1751B22T5C-51 | 230 | 50/60 | 101.0/120.0 | 4.6/6.4 | 39.0/44.0 | 1,450/1,750 | 60/60 | 14/13 | B | ①/② |
| FA1751B22T7C-51 | 230 | 50/60 | 195.0/225.0 | 15.5/16.8 | 57.0/61.0 | 2,900/3,300 | 110/140 | 24/30 | B | ③/④ |

• For "Wire Lead" version, change the "T" in the model number to "W".

Specifications are subject to change without notice



unit: mm(inch)