

# AC AXIAL FAN 172x150x38mm (Metal Impeller)



Housing: Die-Cast Aluminum, Painted Black  
 Blade: Iron in Black  
 Insulation Resistance: 100MΩ, 500VDC/min between bare wire and frame  
 Dielectric Strength: 1500VAC for one minutue  
 Operation Temperature: -10°C~70°C(Humidity 35%-85%RH)  
 Storage Temperature: -40°C~85°C(Humidity 35%-85%RH)  
 Motor Protection: Thermal Protected  
 Weight: 730 g



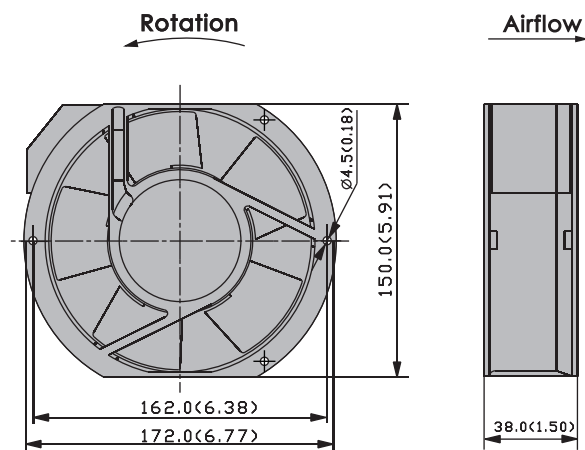
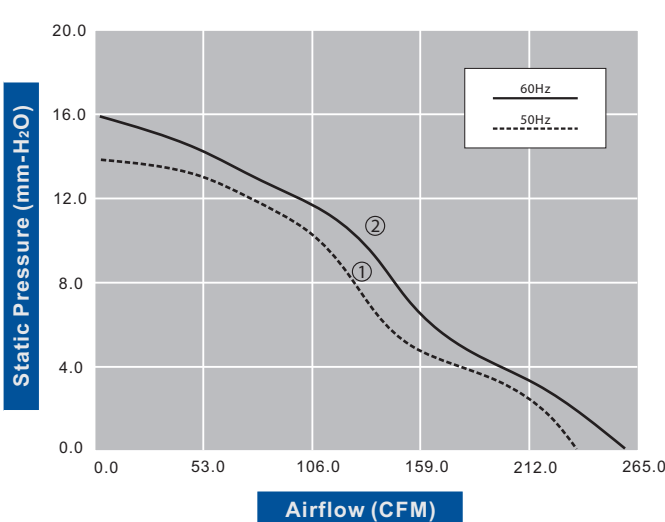
SS

Model Number	Voltage (VAC)	Frequency (Hz)	AirFlow (CFM)	Stat.Pres. (mm-H <sub>2</sub> O)	Noise (dBA)	Speed (RPM)	Current (mA)	Power (W)	Available Bearing	Curves
FA1738B11T7C-93	115	50/60	233.5/263.9	13.7/15.9	55.2/58.1	2,750/3,150	200/100	24/24	B	①/②
FA1738B22T7C-93	230	50/60	233.5/263.9	13.7/15.9	55.2/58.1	2,750/3,150	200/100	24/24	B	①/②

• For "Wire Lead" version, change the "T" in the model number to "W".

Specifications are subject to change without notice

AC Axial Fans



unit: mm(inch)