

# AC AXIAL FAN 120x120x38mm



Housing: Die-Cast Aluminum, Painted Black  
 Blade: Thermoplastic PBT, UL 94V-0  
 Insulation Resistance: 100M $\Omega$ , 500VDC/min between bare wire and frame  
 Dielectric Strength: 1500VAC for one minutue  
 Operation Temperature: -10°C~70°C(Humidity 35%-85%RH)  
 Storage Temperature: -40°C~85°C(Humidity 35%-85%RH)  
 Motor Protection: Impedance Protected  
 Weight: 560 g

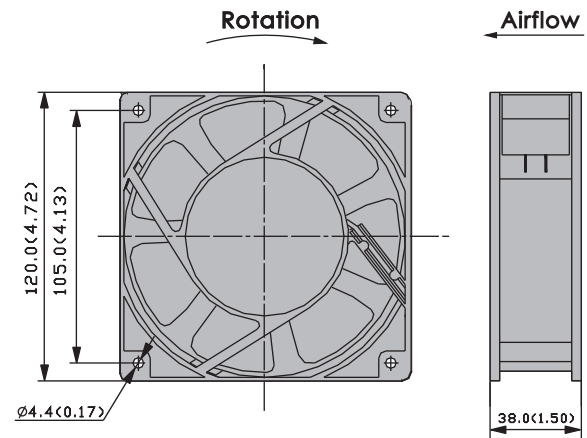
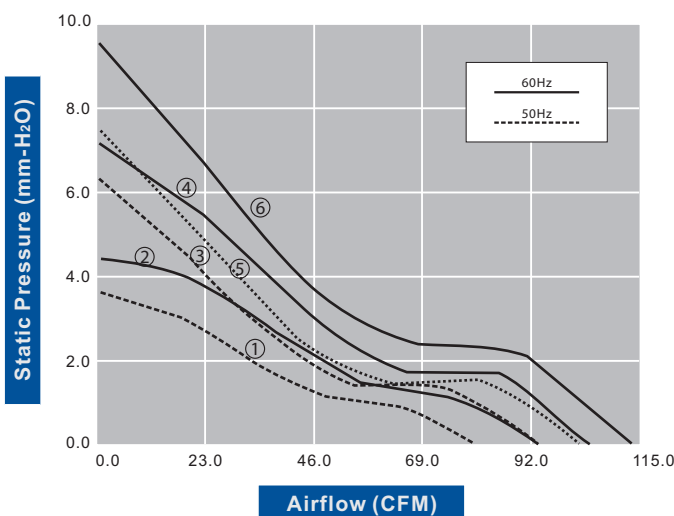


SS

| Model Number   | Voltage (VAC) | Frequency (Hz) | AirFlow (CFM) | Stat.Pres. (mm-H <sub>2</sub> O) | Noise (dBA) | Speed (RPM) | Current (mA) | Power (W) | Available Bearing | Curves |
|----------------|---------------|----------------|---------------|----------------------------------|-------------|-------------|--------------|-----------|-------------------|--------|
| FA1238B11T3-61 | 115           | 50/60          | 79.2/92.4     | 3.6/4.4                          | 34.5/37.4   | 2,100/2,450 | 200/200      | 14/13     | B,S               | ①/②    |
| FA1238B11T5-61 | 115           | 50/60          | 92.4/101.5    | 6.3/7.1                          | 38.4/41.4   | 2,450/2,700 | 250/250      | 19/17     | B,S               | ③/④    |
| FA1238B11T7-61 | 115           | 50/60          | 100.5/113.7   | 7.5/9.4                          | 39.4/43.3   | 2,600/3,000 | 300/300      | 29/24     | B,S               | ⑤/⑥    |
| FA1238B22T3-61 | 230           | 50/60          | 79.2/92.4     | 3.6/4.4                          | 34.5/37.4   | 2,100/2,400 | 100/100      | 12/11     | B,S               | ①/②    |
| FA1238B22T5-61 | 230           | 50/60          | 92.4/101.5    | 6.2/7.1                          | 38.4/41.4   | 2,400/2,700 | 160/160      | 16/15     | B,S               | ③/④    |
| FA1238B22T7-61 | 230           | 50/60          | 100.5/113.7   | 7.5/9.4                          | 39.4/43.3   | 2,600/3,000 | 200/200      | 28/24     | B,S               | ⑤/⑥    |

- For "Sleeve" bearing version, change the "B" in the model number to "S".
- For "Wire Lead" version, change the "T" in the model number to "W".

Specifications are subject to change without notice



unit: mm(inch)

