

AC AXIAL FAN 120x120x38mm



Housing: Die-Cast Aluminum, Painted Black
 Blade: Thermoplastic PBT, UL 94V-0
 Insulation Resistance: 100M Ω , 500VDC/min between bare wire and frame
 Dielectric Strength: 1500VAC for one minute
 Operation Temperature: -10°C-70°C(Humidity 35%-85%RH)
 Storage Temperature: -40°C-85°C(Humidity 35%-85%RH)
 Motor Protection: Thermal Protected
 Weight: 504 g



SS

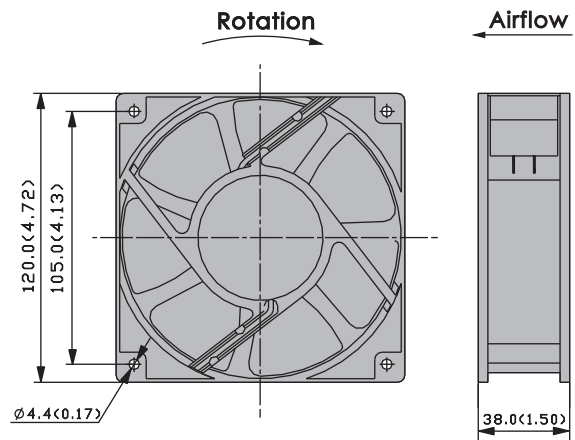
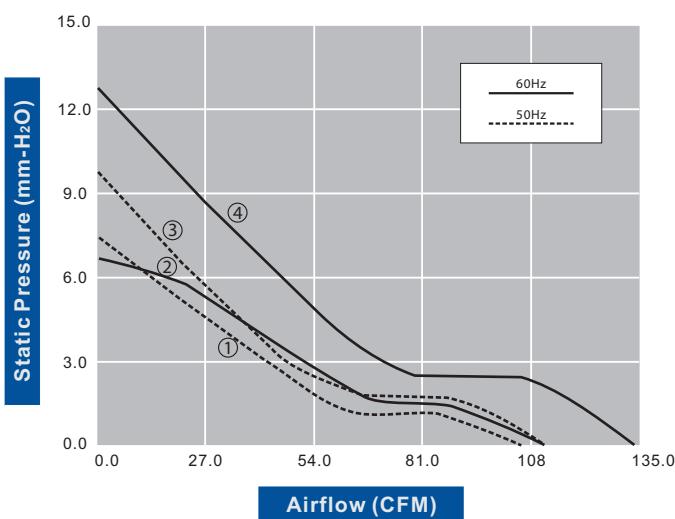
Model Number	Voltage (VAC)	Frequency (Hz)	AirFlow (CFM)	Stat.Pres. (mm-H ₂ O)	Noise (dBA)	Speed (RPM)	Current (mA)	Power (W)	Available Bearing	Curves
FA1238B11T7C-31	115	50/60	105.6/110.6	7.4/6.6	38.4/42.4	2,550/2,800	150/160	11/12	B,S	①/②
FA1238B11T9C-31	115	50/60	110.6/132.0	9.7/12.7	42.4/46.3	2,800/3,300	170/180	22/22	B,S	③/④
FA1238B22T7C-31	230	50/60	105.6/110.6	7.4/6.6	38.4/42.4	2,550/2,800	80/90	11/12	B,S	①/②
FA1238B22T9C-31	230	50/60	110.6/132.0	9.7/12.7	42.4/46.3	2,800/3,300	100/110	21/21	B,S	③/④

- For "Sleeve" bearing version, change the "B" in the model number to "S".
- For "Wire Lead" version, change the "T" in the model number to "W".

Specifications are subject to change without notice



AC Axial Fans



unit: mm(inch)