

# AC AXIAL FAN 120x120x25mm



Housing: Die-Cast Aluminum, Painted Black  
 Blade: Thermoplastic PBT, UL 94V-0  
 Insulation Resistance: 100M $\Omega$ , 500VDC/min between bare wire and frame  
 Dielectric Strength: 1500VAC for one minute  
 Operation Temperature: -10°C~70°C(Humidity 35%-85%RH)  
 Storage Temperature: -40°C~85°C(Humidity 35%-85%RH)  
 Motor Protection: Impedance Protected  
 Weight: 338 g

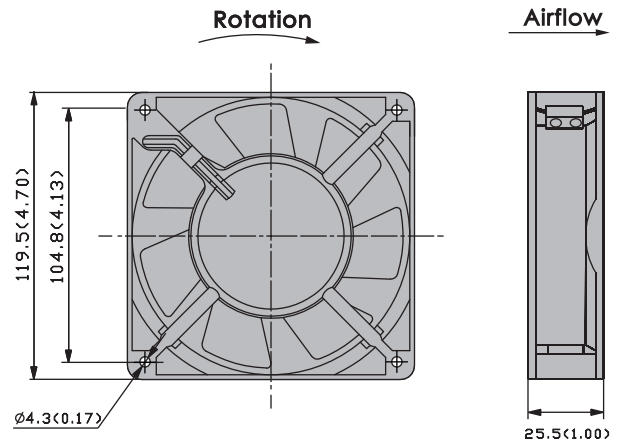
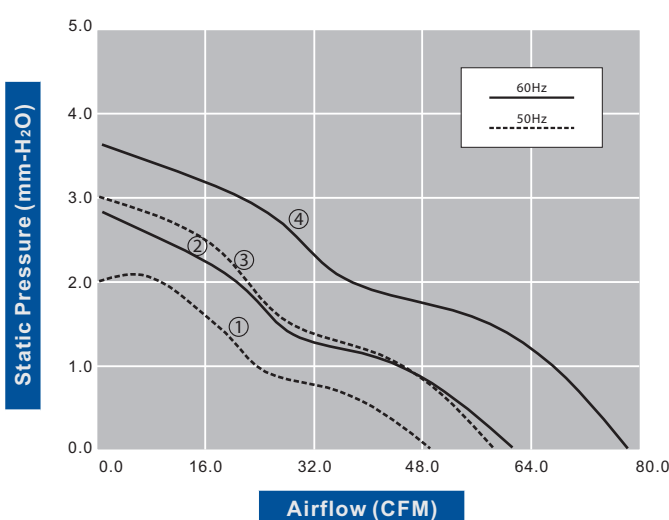


SS

Model Number	Voltage (VAC)	Frequency (Hz)	Air Flow (CFM)	Stat.Pres. (mm-H <sub>2</sub> O)	Noise (dBA)	Speed (RPM)	Current (mA)	Power (W)	Available Bearing	Curves
FA1225B11T3-91	115	50/60	50.8/60.9	2.0/2.8	32.5/36.4	2,300/2,600	110/80	10/7	B,S	①/②
FA1225B11T5-91	115	50/60	60.9/77.1	3.0/3.7	39.4/43.3	2,400/2,700	180/130	18/11	B,S	③/④
FA1225B22T3-91	230	50/60	50.8/60.9	2.0/2.8	32.5/36.4	2,100/2,400	60/50	13/10	B,S	①/②
FA1225B22T5-91	230	50/60	60.9/77.1	3.0/3.7	39.4/43.3	2,400/2,700	90/70	16/14	B,S	③/④

- For "Sleeve" bearing version, change the "B" in the model number to "S".
- For "Wire Lead" version, change the "T" in the model number to "W".

Specifications are subject to change without notice



unit: mm(inch)