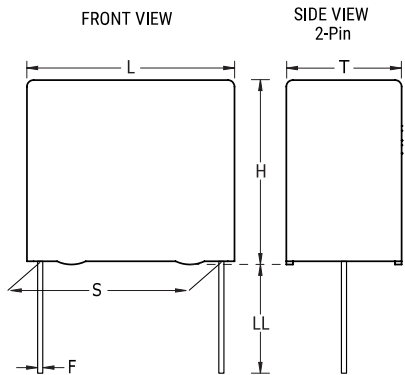


F863, Film, Metallized Polypropylene, Automotive Safety, 0.68 uF, 10%, 310 VAC (X2), 110°C, Lead Spacing = 22.5mm



**Dimensions**

<b>L</b>	26.5mm +0.3/-0.5mm
<b>H</b>	18.5mm +0.1/-0.5mm
<b>T</b>	10mm +0.2/-0.5mm
<b>S</b>	22.5mm +/-0.4mm
<b>LL</b>	4mm +2mm
<b>F</b>	0.8mm +/-0.05mm

**Packaging Specifications**

<b>Packaging:</b>	Pizza, Box
<b>Packaging Quantity:</b>	396

**General Information**

<b>Series:</b>	F863
<b>Dielectric:</b>	Metallized Polypropylene
<b>Style:</b>	Radial
<b>Features:</b>	MKP EMI, Automotive Grade, Harsh Environmental Conditions
<b>RoHS:</b>	Yes
<b>Lead:</b>	Wire Leads
<b>Safety Class:</b>	X2
<b>Qualifications:</b>	ENEC, UL, cUL, CQC, AEC-Q200
<b>AEC-Q200:</b>	Yes
<b>THB Performance:</b>	Yes
<b>Component Weight:</b>	2.551 g
<b>Shelf Life:</b>	104 Weeks

**Specifications**

<b>Capacitance:</b>	0.68 uF
<b>Capacitance Tolerance:</b>	10%
<b>Voltage AC:</b>	310 VAC (X2)
<b>Temperature Range:</b>	-40/+110°C
<b>Rated Temperature:</b>	110°C
<b>Dissipation Factor:</b>	0.2% 1KHz
<b>Insulation Resistance:</b>	10 GOhms
<b>Max dV/dt:</b>	200 V/us