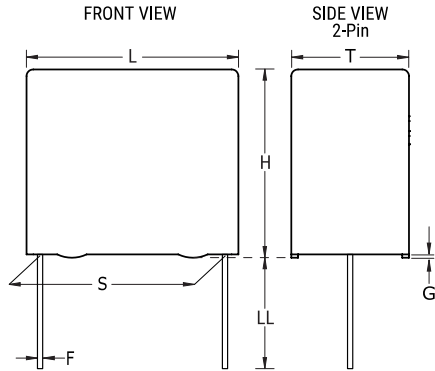


F862, Film, Metallized Polypropylene, Automotive Safety, 0.15 uF, 10%, 310 VAC (X2), 630 VDC, 110°C, Lead Spacing = 22.5mm



Dimensions	
L	26mm -0.5mm
H	14.5mm -0.5mm
T	6mm -0.5mm
S	22.5mm +/-0.4mm
LL	4mm +2mm
F	0.8mm +/-0.05mm
G	0.5mm NOM

Packaging Specifications	
Packaging:	Pizza, Box
Packaging Quantity:	660

General Information	
Series:	F862
Dielectric:	Metallized Polypropylene
Style:	Radial
Features:	MKP EMI, Automotive Grade, Harsh Environmental Conditions, Heavy Duty
RoHS:	Yes
Lead:	Wire Leads
Safety Class:	X2
Qualifications:	ENEC, UL, cUL, CQC, AEC-Q200
AEC-Q200:	Yes
THB Performance:	Yes
Halogen Free:	No
Component Weight:	3.1 g
Miscellaneous:	ClimCat: 40/110/56/B.
Shelf Life:	104 Weeks

Specifications	
Capacitance:	0.15 uF
Capacitance Tolerance:	10%
Voltage AC:	310 VAC (X2)
Voltage DC:	630 VDC
Temperature Range:	-40/+110°C
Rated Temperature:	110°C
Dissipation Factor:	0.2% 1KHz
Insulation Resistance:	30 GOhms
Max dV/dt:	200 V/us

Statements of suitability for certain applications are based on our knowledge of typical operating conditions for such applications, but are not intended to constitute - and we specifically disclaim - any warranty concerning suitability for a specific customer application or use. This Information is intended for use only by customers who have the requisite experience and capability to determine the correct products for their application. Any technical advice inferred from this Information or otherwise provided by us with reference to the use of our products is given gratis, and we assume no obligation or liability for the advice given or results obtained.