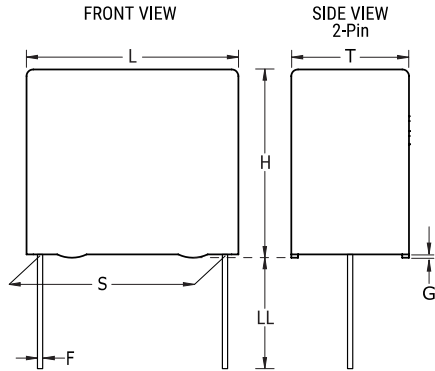


F611, Film, Metallized Polyester, General Purpose, 15 uF, 20%, 400 VDC, 85°C, Lead Spacing = 27.5mm



Dimensions	
L	31.5mm -0.7mm
H	37mm -0.7mm
T	22mm -0.7mm
S	27.5mm +/-0.4mm
LL	17mm -1mm
F	0.8mm +/-0.05mm
G	0.5mm NOM

Packaging Specifications	
Packaging:	Pizza, Box
Packaging Quantity:	150

General Information	
Series:	F611
Dielectric:	Metallized Polyester
Style:	Radial
Features:	MKT (Wound), DC Multipurpose Applications
RoHS:	Yes
Lead:	Wire Leads
AEC-Q200:	No
Component Weight:	28.5 g
Miscellaneous:	The Rated Voltage Decreases 1.25%/C Between +85C And +105C (For +125C, Please Consult Kemet). ClimCat: 55/105/56.

Specifications	
Capacitance:	15 uF
Capacitance Tolerance:	20%
Voltage AC:	200 VAC
Voltage DC:	400 VDC, 300 VDC (105C)
Temperature Range:	-55/+105°C
Rated Temperature:	85°C
Dissipation Factor:	1.2% 1kHz
Insulation Resistance:	667 MOhms
Max dV/dt:	8.5 V/us
Inductance:	6 nH

Statements of suitability for certain applications are based on our knowledge of typical operating conditions for such applications, but are not intended to constitute - and we specifically disclaim - any warranty concerning suitability for a specific customer application or use. This Information is intended for use only by customers who have the requisite experience and capability to determine the correct products for their application. Any technical advice inferred from this Information or otherwise provided by us with reference to the use of our products is given gratis, and we assume no obligation or liability for the advice given or results obtained.