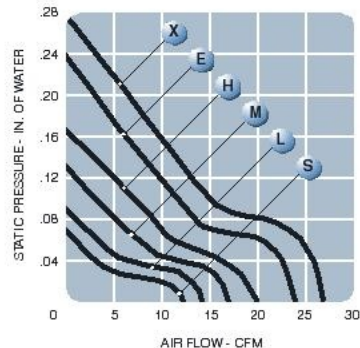


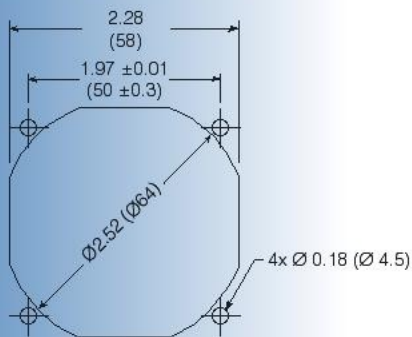
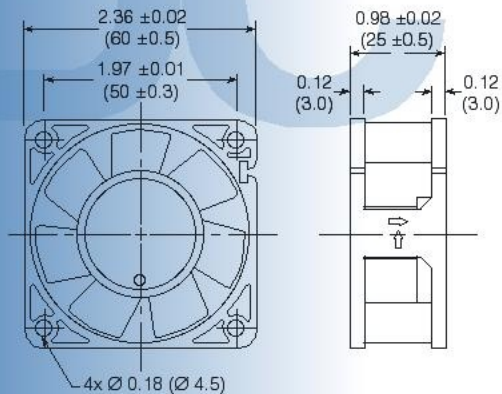
F6025 Series

Size: (60 x 60 x 25 mm)
2.36 x 2.36 x 0.98 inches

- Broad range of models to meet air flow and sound noise targets
- Electronic locked rotor sensor, auto-restart, reverse polarity protection
- 5, 12, or 24 VDC
- Ribbed or flanged frame styles; ball bearings
- Options include tachometer or locked rotor output signal, and thermistor control

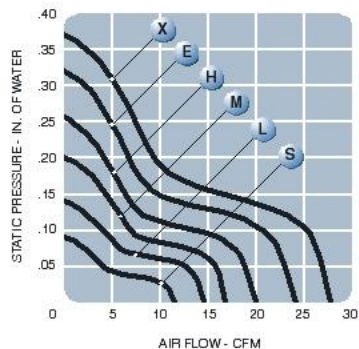


Model No.	Rated Voltage (V)	Current (mA)			Revolution (RPM)	Air Volume (CFM)	Maximum Static Pressure (In H ₂ O)	Sound Noise (dBA)	Weight (oz)
		5	12	24					
F6025 S	5/12/24	150	75	40	2,300	12	0.07	22	2.47
F6025 L	5/12/24	190	85	45	2,800	14	0.09	24	2.47
F6025 M	5/12/24	270	95	55	3,300	17	0.13	27	2.47
F6025 H	5/12/24	410	140	80	3,800	20	0.16	31	2.47
F6025 E	5/12/24	700	230	125	4,600	24	0.23	36	2.47
F6025 X	12/24	-	330	170	5,200	27	0.28	41	2.47



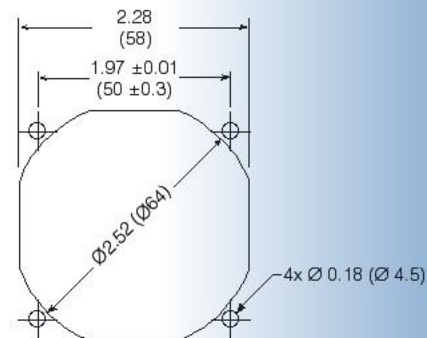
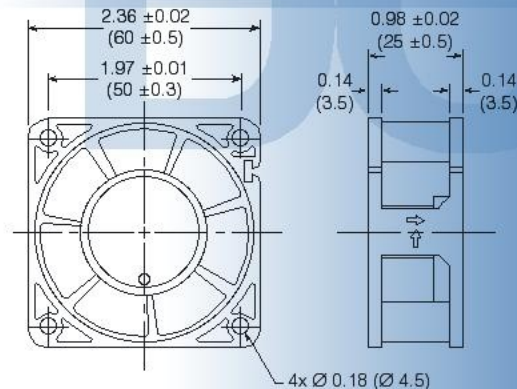
F6025-HP Series

HIGH PERFORMANCE

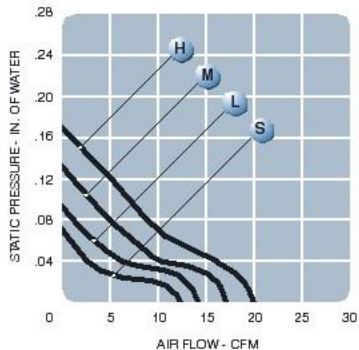


Size: (60 x 60 x 25 mm)
2.36 x 2.36 x 0.98 inches

- High performance impeller design for maximum air flow
- Electronic locked rotor sensor, auto-restart, reverse polarity protection
- 12 or 24 VDC
- Ribbed or flanged frame styles; ball bearings
- Options include tachometer or locked rotor output signal, and thermistor control

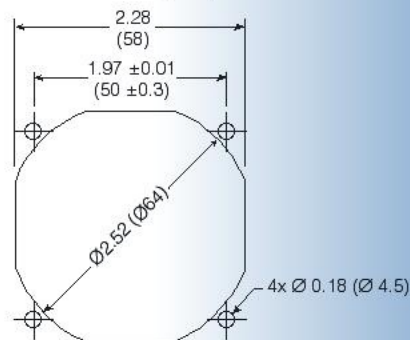
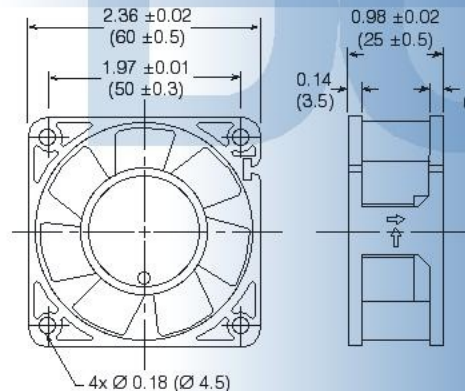


Model No.	Rated Voltage (V)	Current (mA)		Revolution (RPM)	Air Volume (CFM)	Maximum Static Pressure (In H ₂ O)	Sound Noise (dBA)	Weight (oz)
		12	24					
F6025 S-H	12/24	75	40	2,400	12	0.09	22	2.47
F6025 L-H	12/24	85	45	3,000	14	0.14	25	2.47
F6025 M-H	12/24	95	55	3,600	17	0.20	28	2.47
F6025 H-H	12/24	140	80	4,200	20	0.26	32	2.47
F6025 E-H	12/24	230	125	5,000	24	0.32	37	2.47
F6025 X-H	12/24	330	170	5,800	28	0.37	42	2.47



Size: (60 x 60 x 25 mm)
2.36 x 2.36 x 0.98 inches

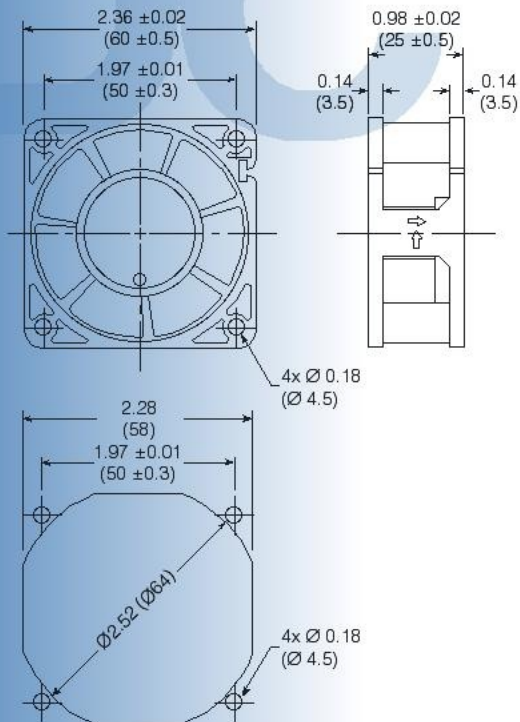
- "Low Cost" design, impedance protected
- 12 or 24 VDC
- Ball or sleeve bearing models
- Ribbed or flanged frame style
- Optional tachometer output



Model No.	Rated Voltage (V)	Current (mA)		Revolution (RPM)	Air Volume (CFM)	Maximum Static Pressure (In H ₂ O)	Sound Noise (dBA)	Weight (oz)
		12	24					
A6025 S	12/24	75	45	2,300	12	0.07	22	2.47
A6025 L	12/24	90	60	2,800	14	0.09	24	2.47
A6025 M	12/24	110	70	3,300	17	0.13	27	2.47
A6025 H	12/24	150	90	3,800	20	0.17	31	2.47

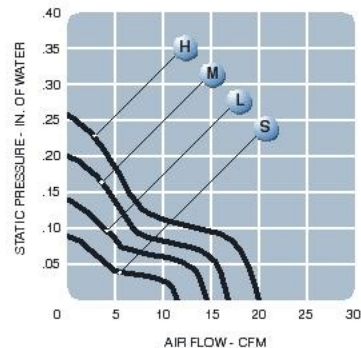
A6025-HP Series

HIGH PERFORMANCE



Size: (60 x 60 x 25 mm)
2.36 x 2.36 x 0.98 inches

- High performance impeller combined with low cost impedance protection design
- 12 or 24 VDC
- Ball or sleeve bearing models
- Ribbed or flanged frame style
- Optional tachometer output



Model No.	Rated Voltage (V)	Current (mA)		Revolution (RPM)	Air Volume (CFM)	Maximum Static Pressure (in H ₂ O)	Sound Noise (dBA)	Weight (oz)
		12	24					
A6025 S-H	12/24	75	45	2,400	12	0.09	22	2.47
A6025 L-H	12/24	90	60	3,000	14	0.14	25	2.47
A6025 M-H	12/24	110	70	3,600	17	0.20	28	2.47
A6025 H-H	12/24	150	90	4,200	20	0.26	32	2.47

DC Part Numbering System

