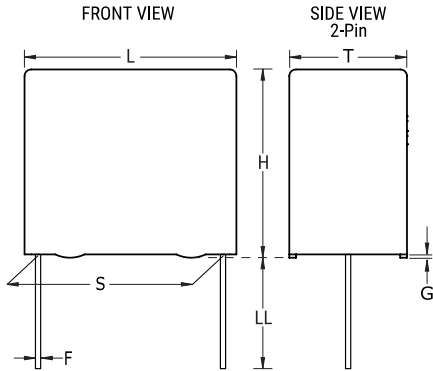


F464, Film, Metallized Polypropylene, General Purpose, 4700 pF, 5%, 2500 VDC, 85°C, Lead Spacing = 22.5mm



| General Information |   |
|---------------------|---|
| Series:             | F464  |
| Dielectric:         | Metallized Polypropylene  |
| Style:              | Radial  |
| Features:           | MKP, Pulse  |
| RoHS:               | Yes   |
| Lead:               | Wire Leads  |
| AEC-Q200:           | No  |
| Component Weight:   | 3.67 g  |
| Miscellaneous:      | The Rated Voltage Decreases 2%/C Between +85C And +105C (1.25%/C For AC). ClimCat: 55/105/56. |

| Dimensions |                 |
|------------|-----------------|
| L          | 26mm -0.5mm     |
| H          | 14.5mm -0.5mm   |
| T          | 6mm -0.5mm      |
| S          | 22.5mm +/-0.4mm |
| LL         | 17mm +0/-1mm    |
| F          | 0.8mm +/-0.05mm |
| G          | 0.5mm NOM       |

| Specifications         |                                       |
|------------------------|---------------------------------------|
| Capacitance:           | 4700 pF                               |
| Capacitance Tolerance: | 5%                                    |
| Voltage AC:            | 900 VAC                               |
| Voltage DC:            | 2500 VDC, 1500 VDC (105C)             |
| Temperature Range:     | -55/+105°C                            |
| Rated Temperature:     | 85°C                                  |
| Dissipation Factor:    | 0.04% 1kHz, 0.06% 10kHz, 0.25% 100kHz |
| Insulation Resistance: | 100 GOhms                             |
| Max dV/dt:             | 2500 V/us                             |
| Inductance:            | 6 nH                                  |

| Packaging Specifications |            |
|--------------------------|------------|
| Packaging:               | Pizza, Box |
| Packaging Quantity:      | 660        |