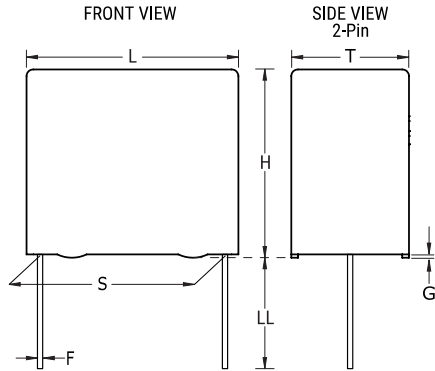


F462, Film, Metallized Polypropylene, General Purpose, 1 uF, 5%, 1250 VDC, 85°C, Lead Spacing = 27.5mm



General Information	
Series:	F462
Dielectric:	Metallized Polypropylene
Style:	Radial
Features:	MKP, Pulse
RoHS:	Yes
Lead:	Wire Leads
AEC-Q200:	No
Component Weight:	28.5 g
Miscellaneous:	The Rated Voltage Decreases 2%/C Between +85C And +105C (1.25%/C For AC). ClimCat: 55/105/56.

Dimensions	
L	31.5mm -0.7mm
H	37mm -0.7mm
T	22mm -0.7mm
S	27.5mm +/-0.4mm
LL	17mm +0/-1mm
F	0.8mm +/-0.05mm
G	0.5mm NOM

Specifications	
Capacitance:	1 uF
Capacitance Tolerance:	5%
Voltage AC:	400 VAC
Voltage DC:	1250 VDC, 750 VDC (105C)
Temperature Range:	-55/+105°C
Rated Temperature:	85°C
Dissipation Factor:	0.05% 1kHz, 0.06% 10kHz
Insulation Resistance:	30 GOhms
Max dV/dt:	380 V/us
Inductance:	6 nH

Packaging Specifications	
Packaging:	Pizza, Box
Packaging Quantity:	150