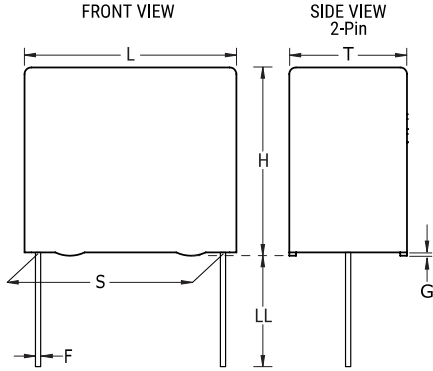


F462, Film, Metallized Polypropylene, General Purpose, 0.022 uF, 5%, 1000 VDC, 85°C, Lead Spacing = 10mm



General Information	
Series:	F462
Dielectric:	Metallized Polypropylene
Style:	Radial
Features:	MKP, Pulse
RoHS:	Yes
Lead:	Wire Leads
AEC-Q200:	No
Component Weight:	1.414 g
Miscellaneous:	The Rated Voltage Decreases 2%/C Between +85C And +105C (1.25%/C For AC). ClimCat: 55/105/56.

Dimensions	
L	13mm -0.5mm
H	12mm -0.5mm
T	6mm -0.5mm
S	10mm +/-0.4mm
LL	17mm +0/-1mm
F	0.6mm +/-0.05mm
G	0.5mm NOM

Specifications	
Capacitance:	0.022 uF
Capacitance Tolerance:	5%
Voltage AC:	300 VAC
Voltage DC:	1000 VDC, 600 VDC (105C)
Temperature Range:	-55/+105°C
Rated Temperature:	85°C
Dissipation Factor:	0.04% 1kHz, 0.06% 10kHz, 0.25% 100kHz
Insulation Resistance:	100 GOhms
Max dV/dt:	2000 V/us
Inductance:	6 nH

Packaging Specifications	
Packaging:	Bulk, Bag
Packaging Quantity:	1800