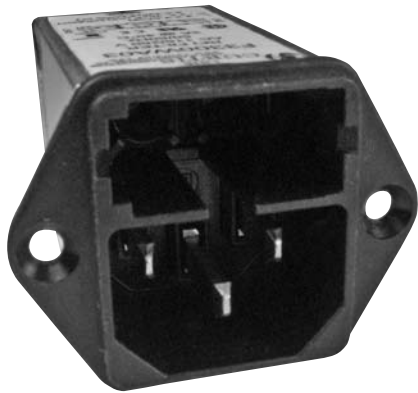


# F3300 RFI Filters



## Features:

- General Purpose “L-Type” Circuit Effective in Reducing Both Incoming and Outgoing Powerline Noise Levels in FCC “A” Applications
- Integral 5 X 20mm Single or Dual Fused IEC Connector
- Optional SST Switched IEC Connector
- Low-Leakage
- Available to UL/IEC 60601 Standard and Meets UL 544 Specification for Medical and Dental Applications
- Available in Labor-Saving PC Mounted Case Style

## Specifications:

**Rated Voltage:** 250VAC Maximum - 50/60 Hz

**Rated Current:**           115VAC   250VAC  
                                  3A           3A  
                                  6A           6A

**Current Overload:** 6X for 8 seconds

**Hi-Pot Test (1 min):**

Line to Ground   1500VAC  
Line to Line       1768VDC

**Insulation Resistance:**  $9 \times 10^9 \Omega$  at 100VDC

**Ambient Temperature:** 40°C Max. at Rated Current

**Humidity Range:** 0% to 95% R.H.

**Termination:**

A: QC – Quick Connect  
F: Fused IEC  
J: Switched IEC  
P: PC – P.C. Board  
W: Dual Fused IEC

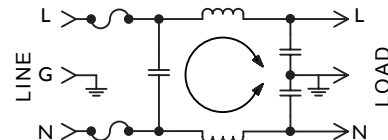
**Maximum Leakage Current:**

Each Line to Ground   **F3300**  
115VAC, 60Hz:           .015mA  
250VAC, 50Hz:           .025mA

**Agency Approvals:**



## F3300F Simplified Schematic



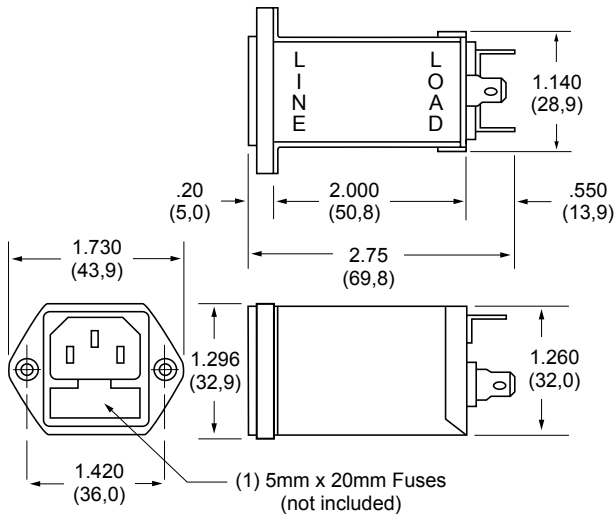
Nominal Current Rating	Part Number	Termination Line/Load	MINIMUM INSERTION LOSS - dB (50 ohm Circuit)						
			MODE	Frequency - MHz					
				.15	.50	1.0	5.0	10	30
3A	F3300FA03 F3300FP03	Fused IEC/QC Fused IEC/PC	Common	21	32	36	30	28	28
			Differential	8	18	24	35	35	35
6A	F3300FA06 F3300FP06	Fused IEC/QC Fused IEC/PC	Common	18	30	34	26	25	25
			Differential	8	18	24	35	35	35
3A	F3300WA03 F3300WP03	Dual Fused IEC/QC Dual Fused IEC/PC	Common	21	32	36	30	28	28
			Differential	8	18	24	35	35	35
6A	F3300WA06 F3300WP06	Dual Fused IEC/QC Dual Fused IEC/PC	Common	18	30	34	26	25	25
			Differential	8	18	24	35	35	35
3A	F3300JA03 F3300JP03	Switched IEC/QC Switched IEC/PC	Common	21	32	36	30	28	28
			Differential	8	18	24	35	35	35
6A	F3300JA06 F3300JP06	Switched IEC/QC Switched IEC/PC	Common	18	30	34	26	25	25
			Differential	8	18	24	35	35	35

NOTE: Other combinations of terminals may be specified on special order.

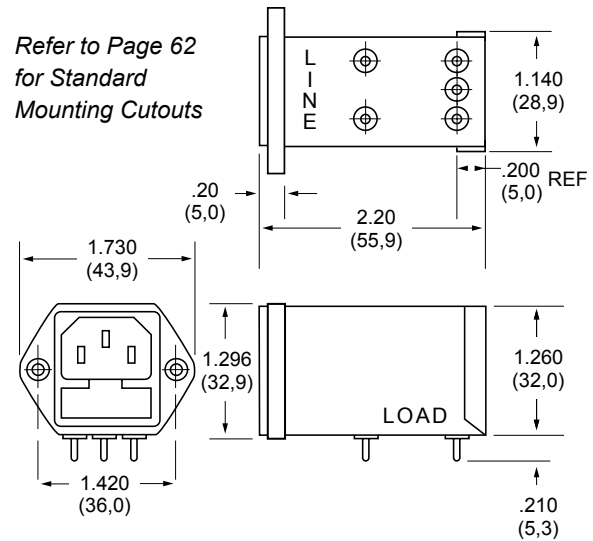




### F3300FA (3 and 6Amp) Dimensions

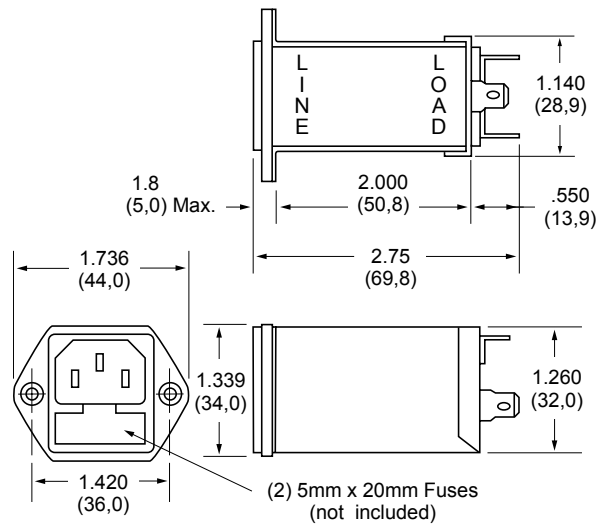
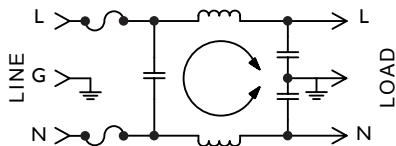


### F3300FP (3 and 6Amp) Dimensions



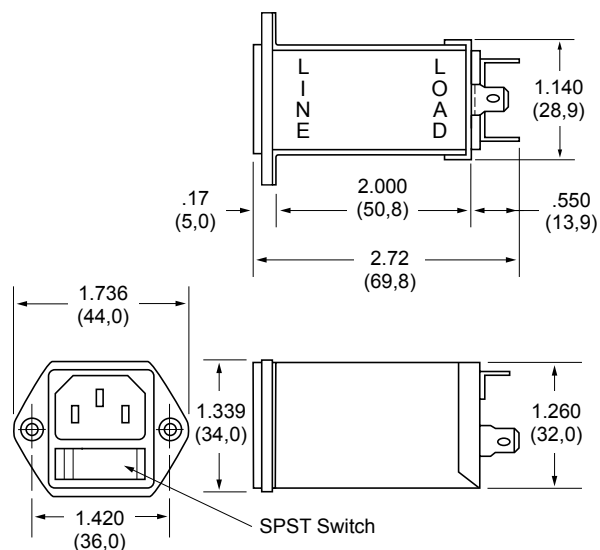
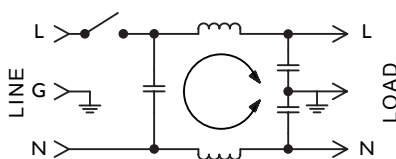
### F3300WA (3 and 6Amp) Dimensions

#### F3300W Simplified Schematic



### F3300JA (3 and 6Amp) Dimensions

#### F3300J Simplified Schematic



Dimensions are in inches and millimeters unless otherwise specified. Values in parentheses are metric equivalents.



**Curtis Industries**  
A Division of Powers Holdings, Inc.

1-800-657-0853

75

General Purpose Filtered Modules

MEDICAL FILTERS