

# F2600 RFI Filters



## Features:

- General Purpose “L-Type” Circuit Effective in Reducing Both Incoming and Outgoing Powerline Noise Levels in FCC “A” Applications
- Integral 5 X 20mm Single or Dual Fused IEC Connector
- Optional SST Switched IEC Connector
- All Series Available in Labor-Saving PC Mounted Case Style

## Specifications:

**Rated Voltage:** 250VAC Maximum - 50/60 Hz

**Rated Current:**           115VAC   250VAC  
                                  3A           3A  
                                  6A           6A

**Current Overload:** 6X for 8 seconds

**Hi-Pot Test (1 min):**

Line to Ground   1500VAC  
Line to Line       1768VDC

**Insulation Resistance:**  $9 \times 10^9 \Omega$  at 100VDC

**Ambient Temperature:** 40°C Max at rated current

**Humidity Range:** 0% to 95% R.H.

**Termination:**

- A: QC – Quick Connect
- F: Fused IEC
- J: Switched IEC
- P: PC – P.C. Board
- W: Dual Fused IEC

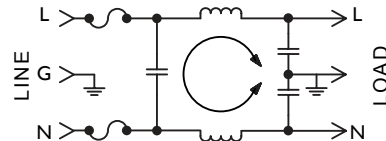
**Maximum Leakage Current:**

Each Line to Ground   **F2600**  
115VAC, 60Hz:           0.25mA  
250VAC, 50Hz:           0.40mA

**Agency Approvals:**



## F2600F Simplified Schematic

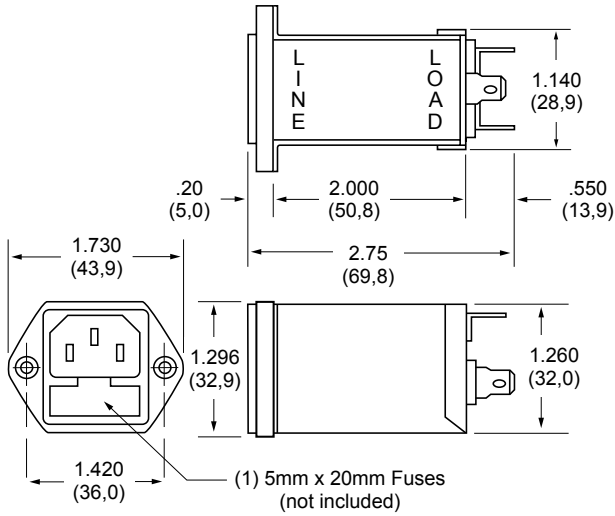


Nominal Current Rating	Part Number	Termination Line/Load	MINIMUM INSERTION LOSS - dB (50 ohm Circuit)						
			MODE	Frequency - MHz					
				.15	.50	1.0	5.0	10	30
3A	F2600FA03 F2600FP03	Fused IEC/QC Fused IEC/PC	Common	21	35	41	50	50	50
			Differential	8	18	24	40	50	40
6A	F2600FA06 F2600FP06	Fused IEC/QC Fused IEC/PC	Common	18	34	41	45	45	45
			Differential	8	18	24	40	50	50
3A	F2600WA03 F2600WP03	Dual Fused IEC/QC Dual Fused IEC/PC	Common	21	35	41	45	45	50
			Differential	8	18	24	40	50	40
6A	F2600WA06 F2600WP06	Dual Fused IEC/QC Dual Fused IEC/PC	Common	18	34	41	40	40	45
			Differential	8	18	24	40	50	50
3A	F2600JA03 F2600JP03	Switched IEC/QC Switched IEC/PC	Common	21	35	41	45	45	50
			Differential	8	18	24	40	50	40
6A	F2600JA06 F2600JP06	Switched IEC/QC Switched IEC/PC	Common	18	34	41	40	40	45
			Differential	8	18	24	40	50	50

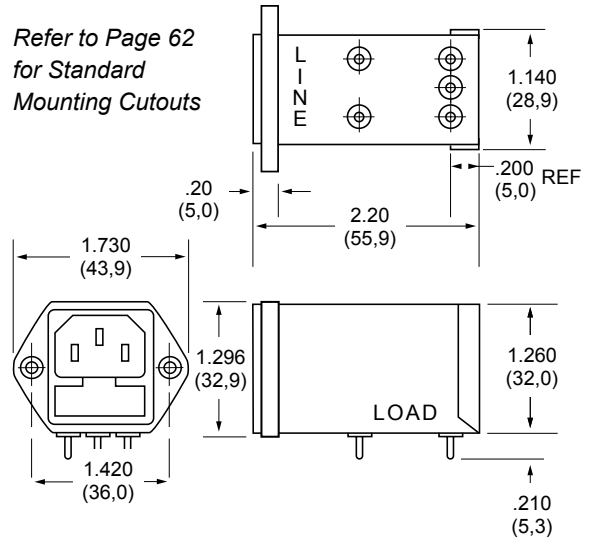
NOTE: Other combinations of terminals may be specified on special order.



### F2600FA (3 and 6Amp) Dimensions

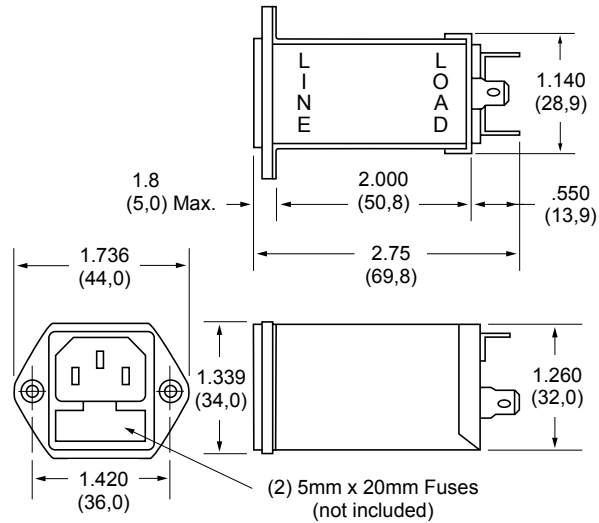
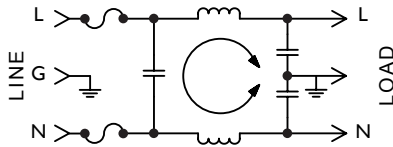


### F2600FP (3 and 6Amp) Dimensions



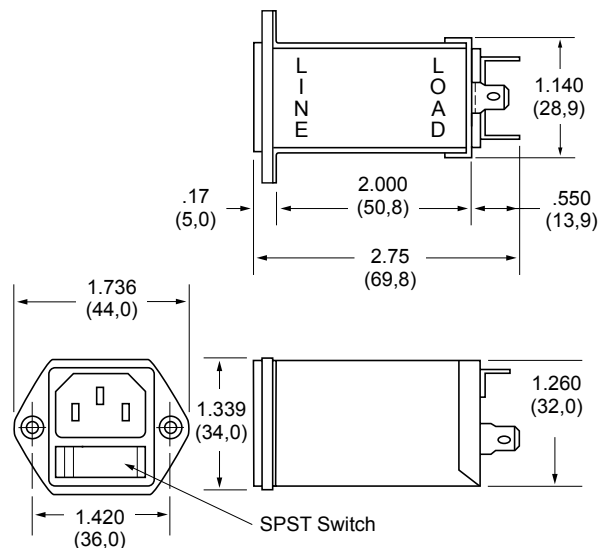
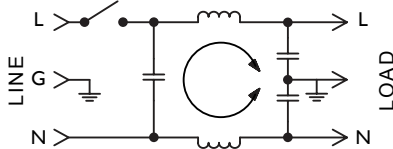
### F2600WA (3 and 6Amp) Dimensions

#### F2600W Simplified Schematic



### F2600JA (3 and 6Amp) Dimensions

#### F2600J Simplified Schematic



Dimensions are in inches and millimeters unless otherwise specified. Values in parentheses are metric equivalents.

