

F1760/F1770/F1780 RFI Filters

High Performance

SINGLE PHASE FILTERS



Features:

- Designed for Applications Where Switching Power Supplies, SCR's and TTL Circuits Are Utilized
- Protection from Pulsed, Intermittent or Continuous RFI
- Effective CM and DM Suppression for Most FCC VDE Requirements Down to 150KHz
- Available in Stud and Quick Connect Terminal Versions

Specifications:

Rated Voltage: 250VAC, Maximum - 50/60 Hz

Rated Current: 115VAC 250VAC
20A 14A

Current Overload: 6X for 8 seconds

Hi-Pot Test (1 min):

Line to Ground 1500VAC
Line to Line 1768VDC

Insulation Resistance: $9 \times 10^9 \Omega$ at 100VDC

Ambient Temperature: 40°C Max. at rated current

Humidity Range: 0% to 95% R.H.

Termination:

A: QC – Quick Connect
D: Screw

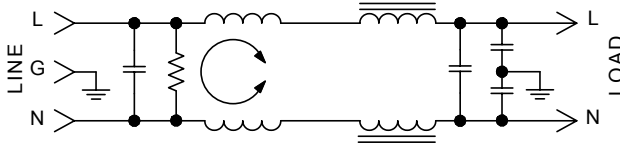
Maximum Leakage Current:

Each Line to Ground **F1760/1770/1780**
115VAC, 60Hz: 0.5mA
250VAC, 50Hz: 1.0mA

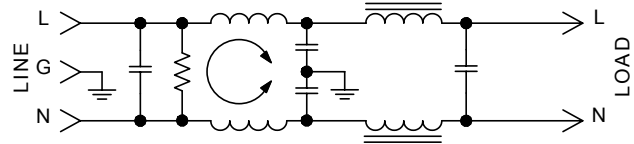
Agency Approvals:



F1760 Simplified Schematic



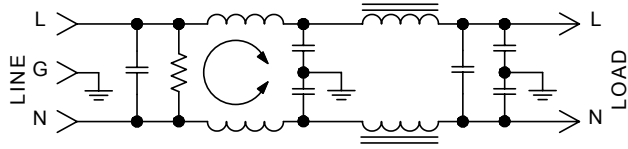
F1770 Simplified Schematic



Nominal Current Rating	Part Number	Termination Line/Load	MINIMUM INSERTION LOSS - dB (50 ohm Circuit)								
			MODE	Frequency - MHz						20	30
				.15	.50	1.0	5.0	10			
3A	F1760AA03	QC/QC	Common	15	30	40	45	50	45	45	
	F1760DD03	Screw/Screw	Differential	40	65	65	60	55	55	55	
3A	F1780AA03	QC/QC	Common	13	25	40	60	60	55	50	
	F1780DD03	Screw/Screw	Differential	40	65	65	62	55	45	45	
6A	F1760AA06	QC/QC	Common	15	30	35	35	44	43	42	
	F1760DD06	Screw/Screw	Differential	40	65	65	65	53	52	50	
6A	F1780AA06	QC/QC	Common	13	30	40	65	65	53	48	
	F1780DD06	Screw/Screw	Differential	40	65	65	62	55	45	45	
10A	F1760AA10	QC/QC	Common	15	30	35	50	50	40	40	
	F1760DD10	Screw/Screw	Differential	40	65	65	55	50	50	50	
10A	F1780AA10	QC/QC	Common	13	20	35	65	65	55	50	
	F1780DD10	Screw/Screw	Differential	40	65	65	62	55	45	45	
20A	F1760AA20	QC/QC	Common	12	25	31	42	47	50	40	
	F1760DD20	Screw/Screw	Differential	41	65	65	65	60	60	55	
20A	F1780AA20	QC/QC	Common	12	30	32	60	60	60	55	
	F1780DD20	Screw/Screw	Differential	41	65	65	65	60	60	55	

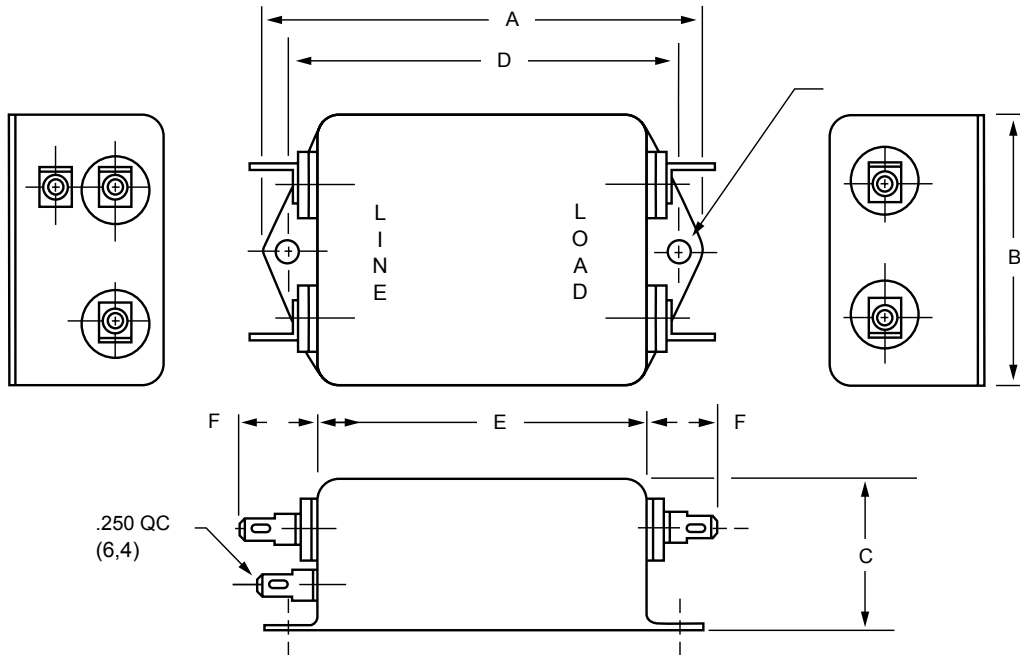


F1780 Simplified Schematic

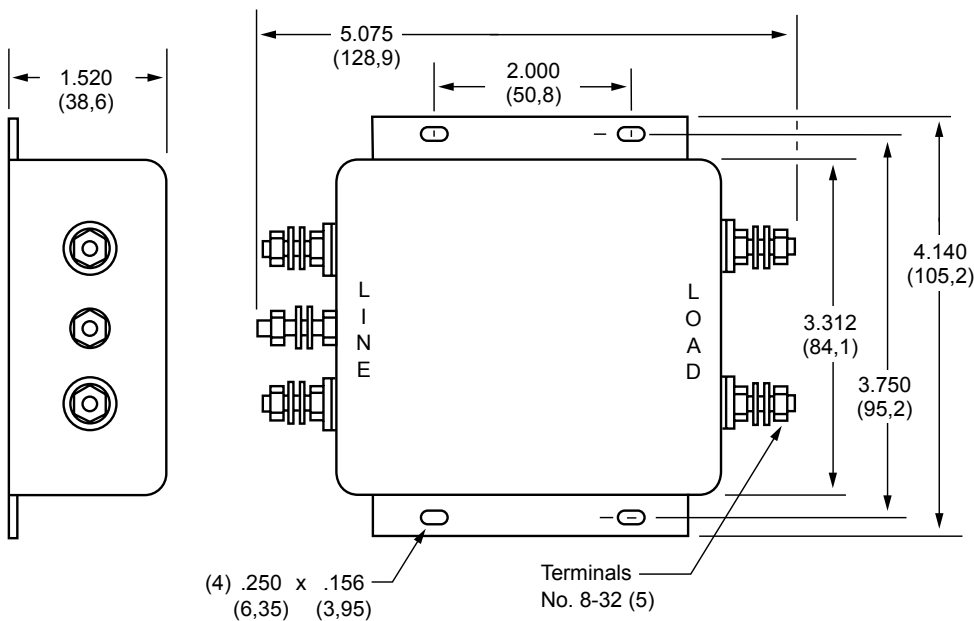


Amps	A	B	C	D	E	F
3A	2.750 (69,8)	1.750 (44,4)	1.125 (28,5)	2.375 (60,3)	2.000 (50,8)	.550 (14,0)
6A	3.312 (84,1)	2.000 (50,8)	1.500 (38,2)	2.940 (74,7)	2.500 (63,5)	.550 (14,0)
10A	3.312 (84,1)	2.000 (50,8)	1.500 (38,2)	2.940 (74,7)	2.500 (63,5)	.550 (14,0)

F1760/F1770/1780AA
(3, 6, and 10Amp) Dimensions



F1760/F1770/1780 (20Amp Only) Dimensions



Dimensions are in inches and millimeters unless otherwise specified. Values in parentheses are metric equivalents.

