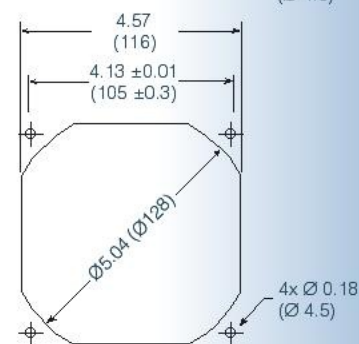
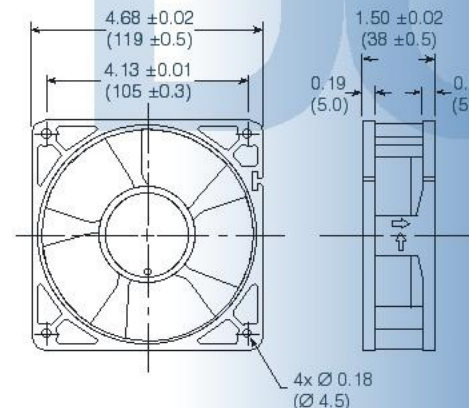


**Size: (119 x 119 x 38 mm)
4.69 x 4.69 x 1.5 inches**

- Broad range of models to meet air flow and sound noise targets
- Electronic locked rotor sensor, auto-restart, reverse polarity protection
- 5, 12, or 24 VDC
- Lead wires or terminal version; reinforced flanged frame; ball bearings
- Options include tachometer or locked rotor output signal, and thermistor control

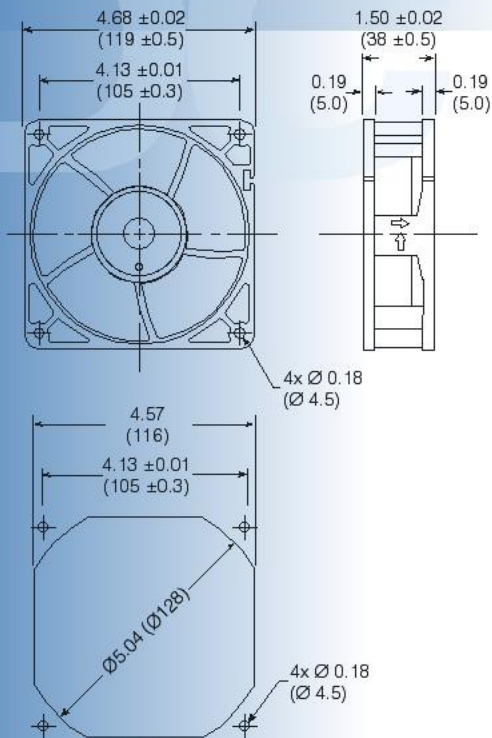


Model No.	Rated Voltage (V)	Current (mA)			Revolution (RPM)	Air Volume (CFM)	Maximum Static Pressure (in H ₂ O)	Sound Noise (dBA)	Weight (oz)
		5	12	24					
F1238 S	5/12/24	520	180	90	1,800	83	0.14	34	8.58
F1238 L	5/12/24	800	290	145	2,050	94	0.17	36	8.58
F1238 M	12/24	–	360	180	2,300	105	0.21	38	8.58
F1238 H	12/24	–	440	220	2,500	115	0.25	41	8.58
F1238 E	12/24	–	700	350	2,800	126	0.28	43	8.58
F1238 X	12/24	–	950	500	3,100	140	0.30	45	8.58

* Available with quick disconnect terminal block.

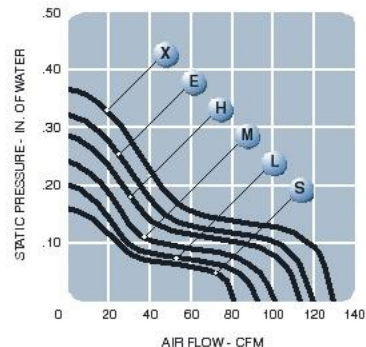
F1238-HP Series

HIGH PERFORMANCE



**Size: (119 x 119 x 38 mm)
4.69 x 4.69 x 1.5 inches**

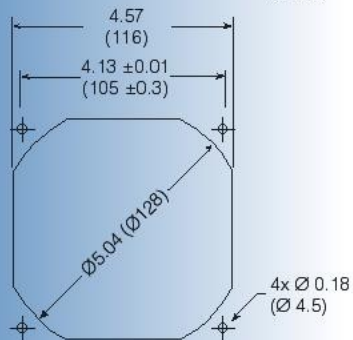
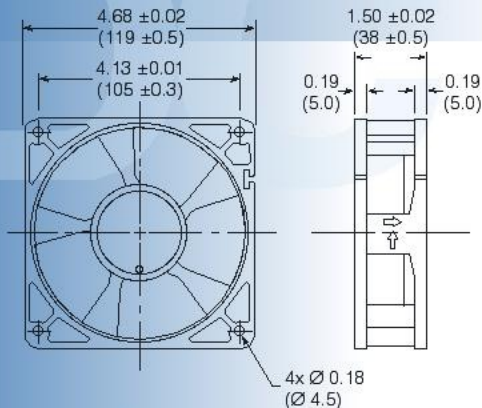
- High Performance impeller design for maximum air flow
- Electronic locked rotor sensor, auto-restart, reverse polarity protection
- 5, 12, or 24 VDC
- Lead wires or terminal version; reinforced flanged frame; ball bearings
- Options include tachometer or locked rotor output signal, and thermistor control



Model No.	Rated Voltage (V)	Current (mA)			Revolution (RPM)	Air Volume (CFM)	Maximum Static Pressure (in H ₂ O)	Sound Noise (dBA)	Weight (oz)
		5	12	24					
F1238 S-H	5/12/24	520	180	90	2,100	81	0.16	33	9.45
F1238 L-H	12/24	-	290	145	2,400	93	0.20	35	9.45
F1238 M-H	12/24	-	360	180	2,700	103	0.24	38	9.45
F1238 H-H	12/24	-	440	220	3,000	112	0.28	41	9.45
F1238 E-H	12/24	-	700	350	3,300	121	0.33	44	9.45
F1238 X-H	12/24	-	950	500	3,600	130	0.37	47	9.45

* Available with quick disconnect terminal block.

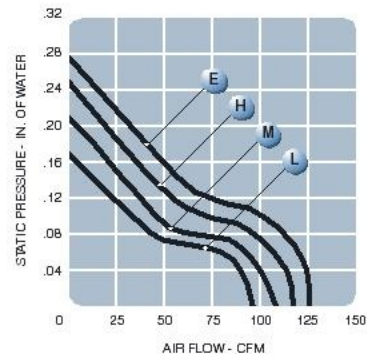
A1238 Series



Size: (119 x 119 x 38 mm)

4.69 x 4.69 x 1.5 inches

- 48 VDC version of the F1238 design
- Robust components for high voltage, high electrical noise environment
- Lead wires or terminal version; reinforced flanged frame; ball bearings
- Optional tachometer output signal

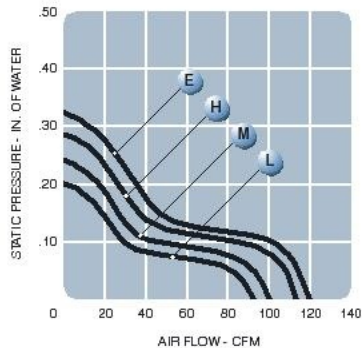


Model No.	Rated Voltage (V)	Current (mA)			Revolution (RPM)	Air Volume (CFM)	Maximum Static Pressure (in H ₂ O)	Sound Noise (dBA)	Weight (oz)
		5	12	24					
A1238 L	48	110			2,050	94	0.17	36	8.58
A1238 M	48	130			2,300	105	0.21	38	8.58
A1238 H	48	150			2,500	115	0.25	41	8.58
A1238 E	48	190			2,800	126	0.28	43	8.58

* Available with quick disconnect terminal block.

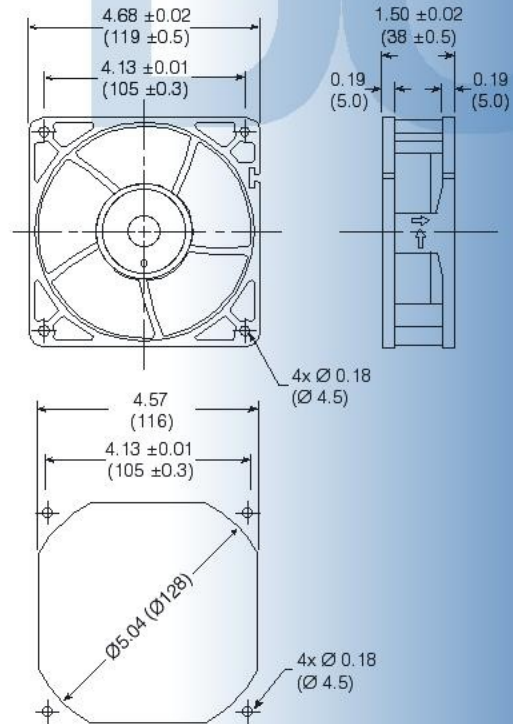
A1238-HP Series

HIGH PERFORMANCE



**Size: (120 x 120 x 38 mm)
4.69 x 4.69 x 1.5 inches**

- 48 VDC version of the F1238-HP
- Robust components for high voltage, high electrical noise environment
- Lead wires or terminal version; reinforced flanged frame; ball bearings
- Optional tachometer output signal



Model No.	Rated Voltage (V)	Current (mA)	Revolution (RPM)	Air Volume (CFM)	Maximum Static Pressure (in H ₂ O)	Sound Noise (dBA)	Weight (oz)
A1238 L-H	48	110	2,400	93	0.20	35	9.45
A1238 M-H	48	130	2,700	103	0.24	38	9.45
A1238 H-H	48	150	3,000	112	0.28	41	9.45
A1238 E-H	48	190	3,300	121	0.33	44	9.45

* Available with quick disconnect terminal block.

DC Part Numbering System

