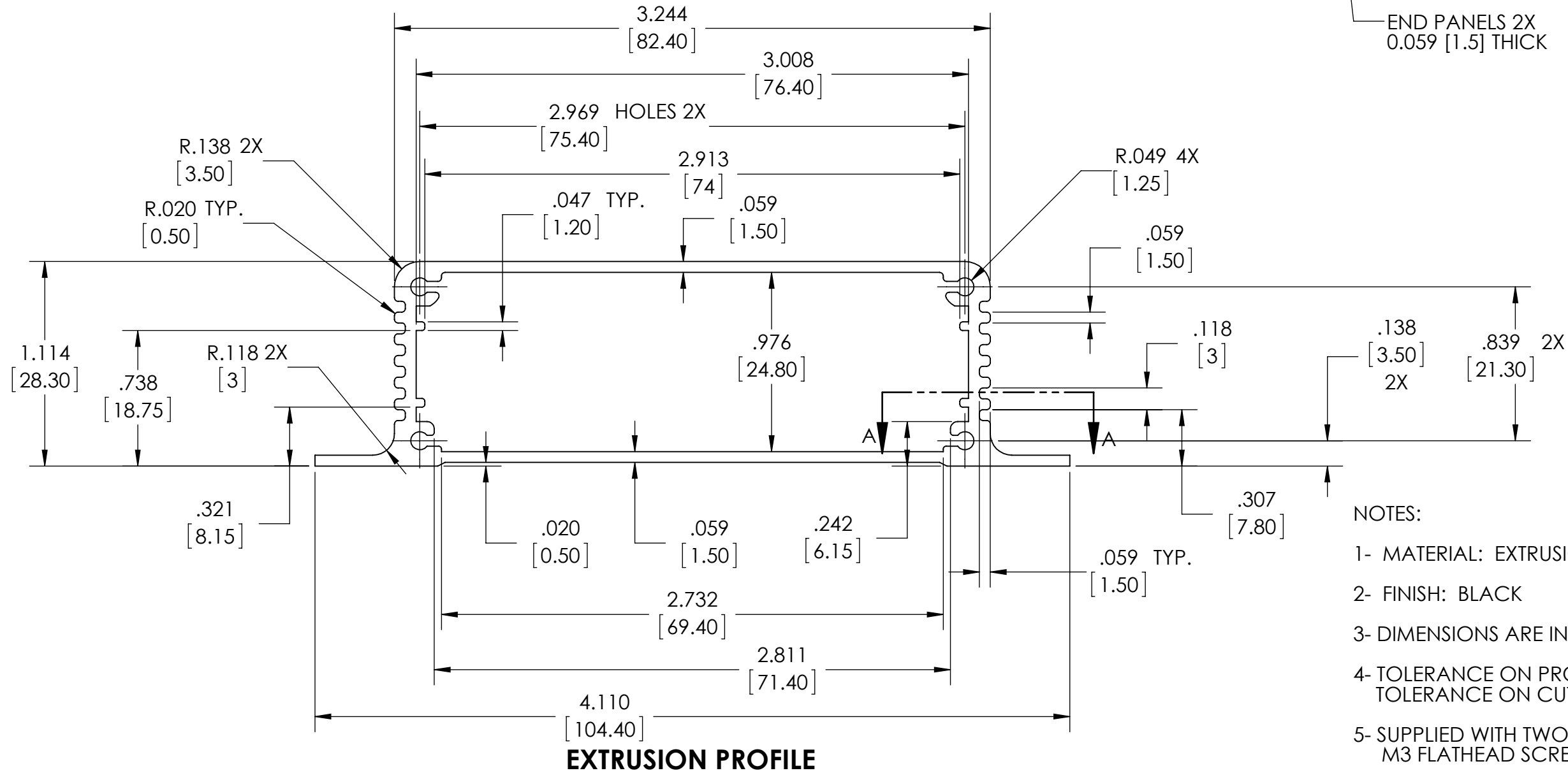
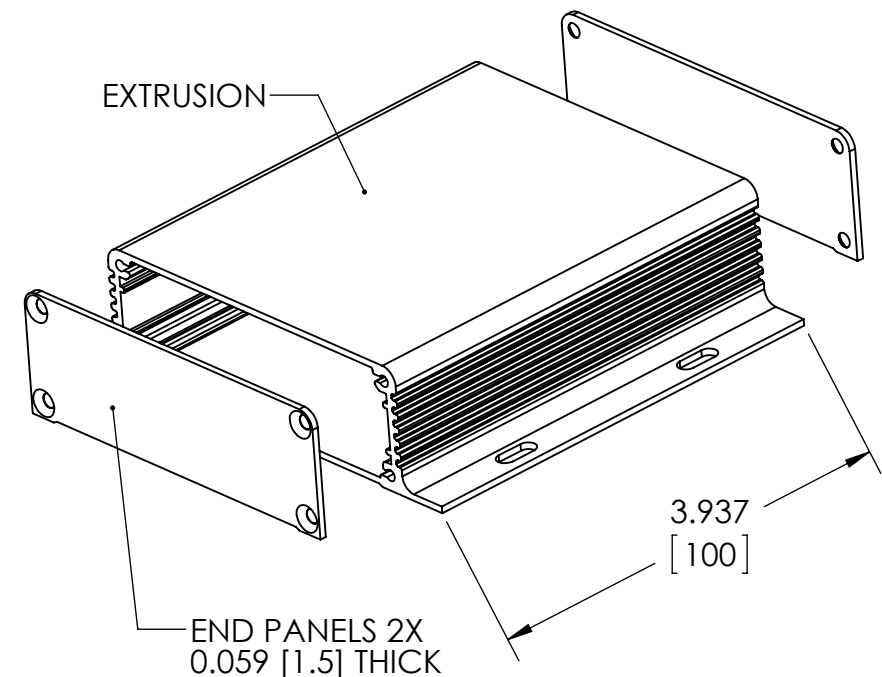
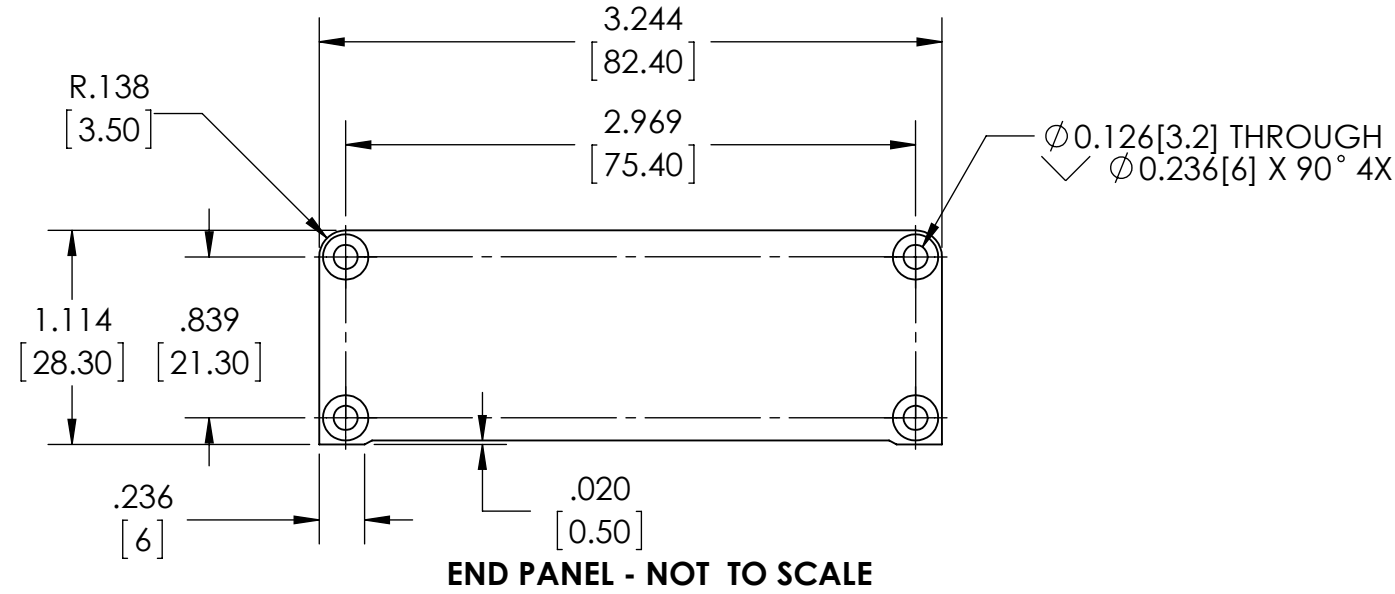


SECTION A-A  
SCALE 1 : 1  
4 PLACES



- NOTES:
- 1- MATERIAL: EXTRUSION/END PANELS - ALUMINUM
  - 2- FINISH: BLACK
  - 3- DIMENSIONS ARE INCH[MM]
  - 4- TOLERANCE ON PROFILE/END PANEL = +/- .020[.50]  
TOLERANCE ON CUT LENGTH = +/- .062[1.57]
  - 5- SUPPLIED WITH TWO END PANELS AND EIGHT M3 FLATHEAD SCREWS FOR MOUNTING THE PANELS