

MICRO SWITCH
 FREEPORT ILLINOIS U.S.A
 A DIVISION OF HONEYWELL
 FED. MFG. CODE 91929

SWITCH-ENCLOSED

EXD-AR20-3

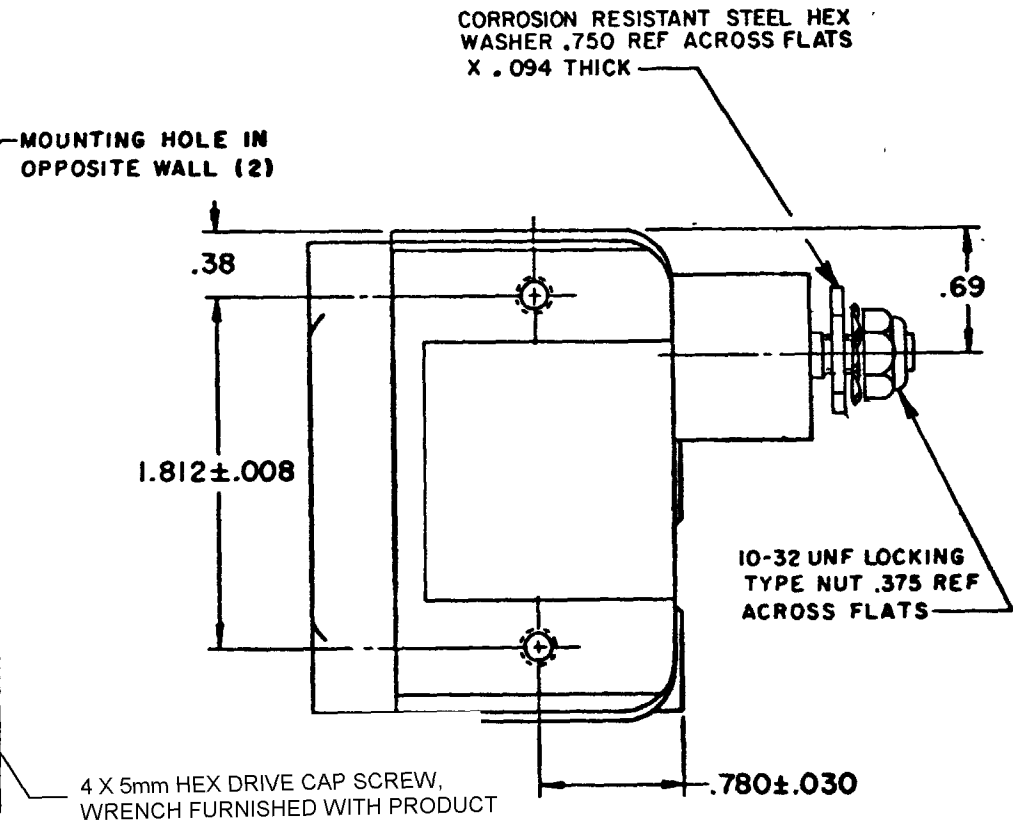
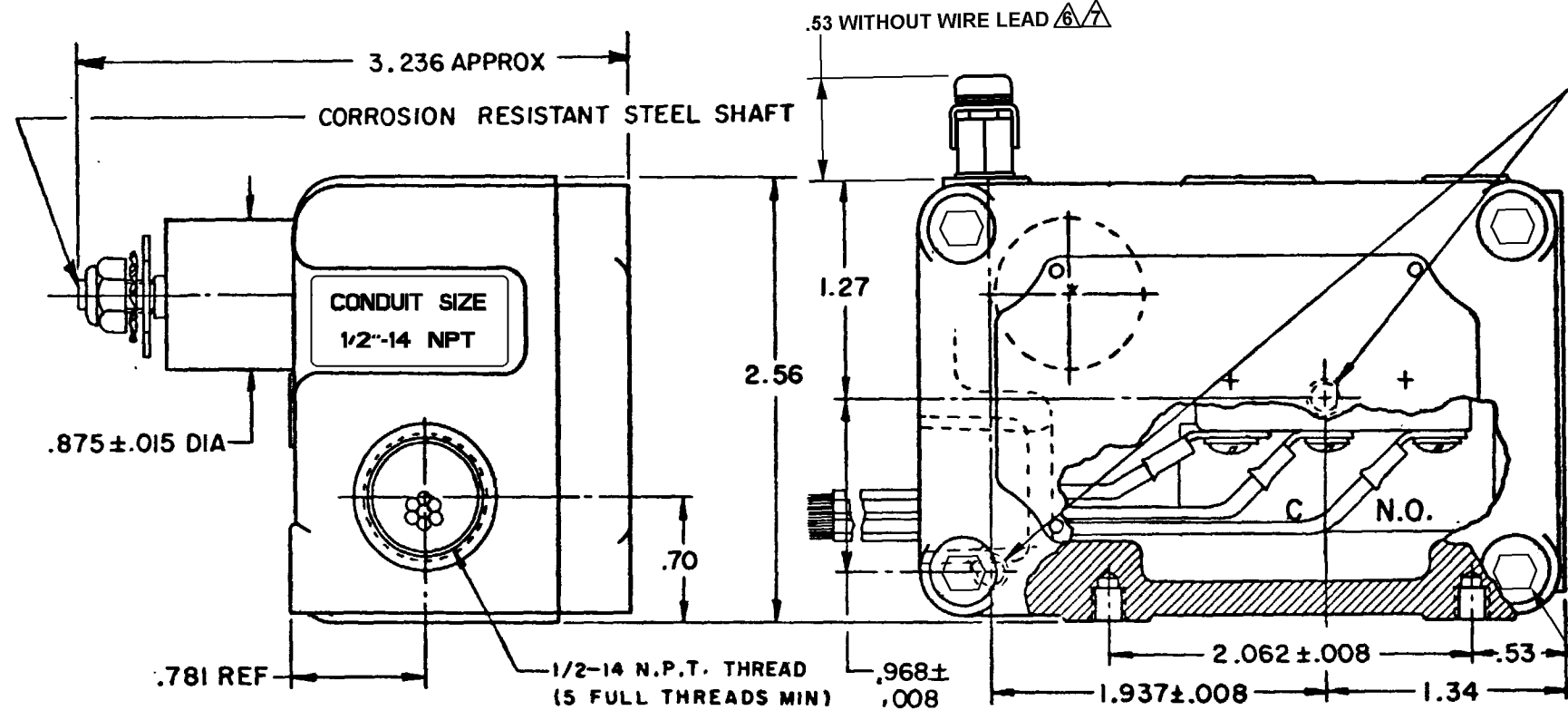
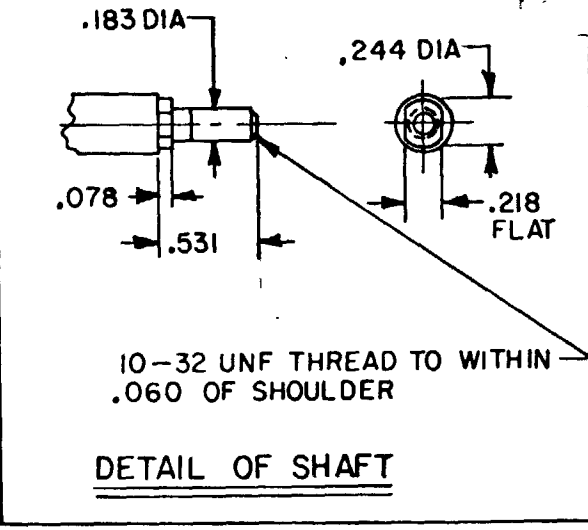
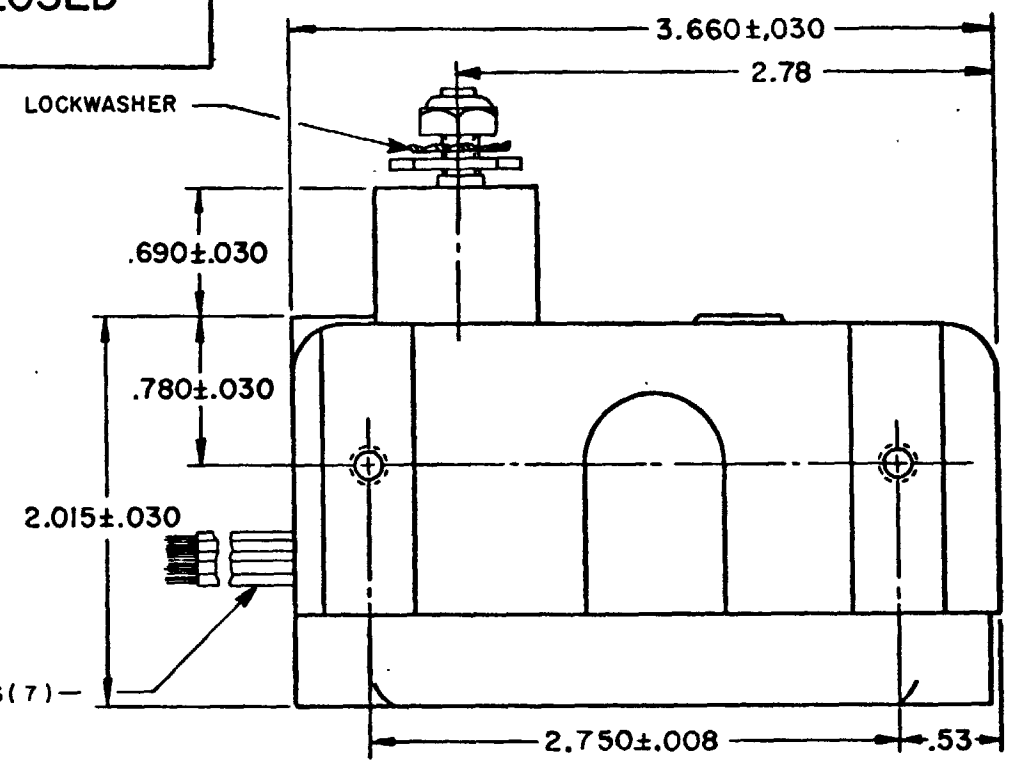
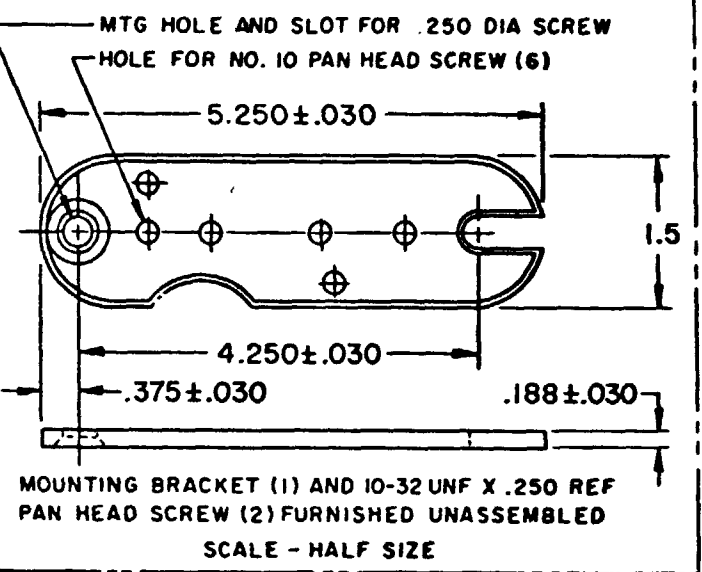
EXD-AR20-3

DRAWING NUMBER
9

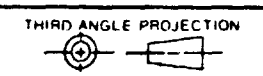
REVISIONS

A	CO	58380	CSH	9 NOV 85
B	CO60498	JAS	1 NOV 86	
C	CO61381	DAW	22 APR 87	
D	CO63239	T.L.B	22 MAR 88	
E	CO73019	MAM	18 SEP 92	
F	0012750	DVM	26 APR 05	
G	0017245	KRB	28 NOV 05	
H	0070470	SJK	14 OCT 10	

RELEASE NO. PR-8880
14OCT10
CMH
CHECK
AK
CHECK
7 JUNE 80
CHECK
80
DRAWN
S L B
5 JUNE



THIS DRAWING COVERS A PROPRIETARY ITEM AND IS THE PROPERTY OF MICRO SWITCH, A DIVISION OF HONEYWELL. THIS DRAWING IS NOT TO BE COPIED OR USED WITHOUT THE APPROVAL OF MICRO SWITCH.



SCALE	FULL		
DO NOT SCALE PRINT			
TOLERANCES			
APPLY TO DESIGN UNITS. CONVERSIONS ARE ONLY FOR REFERENCE UNLESS NOTED. TOLERANCES ARE 2			
NO PLACES	X	1/64	0.004
ONE PLACE	2, X	0.0015	0.0015
TWO PLACES	2, XX	0.0005	0.0005
THREE PLACES	2, XXX	0.0001	0.0001
ANGLES			
DESIGN UNITS	SI METRIC	US CUSTOMARY	
RARE MATERIAL - COMMERCIAL STANDARDS			
MICRO SWITCH STANDARDS APPLY			
DIMENSIONS ARE TO BE MET BEFORE PROTECTIVE COATINGS ARE APPLIED			
WEIGHT			

- NOTES**
- (8) MOUNTING SCREW HOLES, 10-32 UNF-2B THREADS X .219 REF. DEEP
 - EXPLOSION PROOF - UNDERWRITERS' LAB. INC. LISTED FOR HAZARDOUS LOCATIONS NEMA 7, CLASS I, GROUPS B, C AND D, NEMA 9, CLASS II, GROUPS E, F AND G.
 - COM LEADS - BLACK, N.C. LEADS - RED, N.O. LEADS - BLUE, GROUND LEAD - GREEN
 - EUROPEAN HAZARDOUS LOCATIONS DESIGNATION: Ex dIIB + H2 T6 CATAGORY II 2 G
 - SEAL RATING: NEMA 1
 - EXTERNAL GROUND SCREW MAY BE ASSEMBLED TO ANY UNUSED MOUNTING SCREW HOLE
 - ASSEMBLE PROVIDED SPLIT LOCKWASHER BETWEEN GROUND LUG AND HOUSING

CHARACTERISTICS
PRETRAVEL ----- 10° MAX
DIFFERENTIAL TRAVEL ----- 5° MAX
OVERTRAVEL ----- DO NOT OVERTRAVEL MORE THAN 25°
BASIC SWITCH REPLACEMENT-----DT-2R4-A7

ELECTRICAL DATA
CONTACT ARRANGEMENT
D P D T
10A-125 OR 250 VAC
0.3A-125 VDC; 0.15A-250 VDC
CODE L59
UL
Ex