

Round Type 2R Light Touch Switches

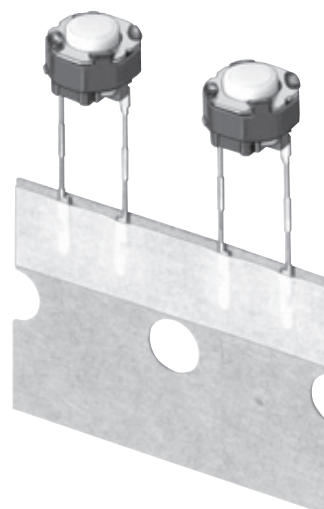
Type: **EVQ11**

■ Features

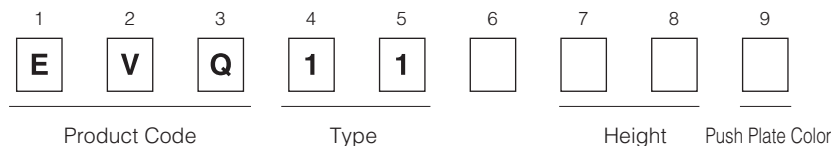
- External dimensions : 6.0 mm×6.0 mm, Height 3.9 mm (Excluding the push plate)
- The cast-processed terminals improve the mountability

■ Recommended Applications

- Operating switches for electronic equipment



■ Explanation of Part Numbers



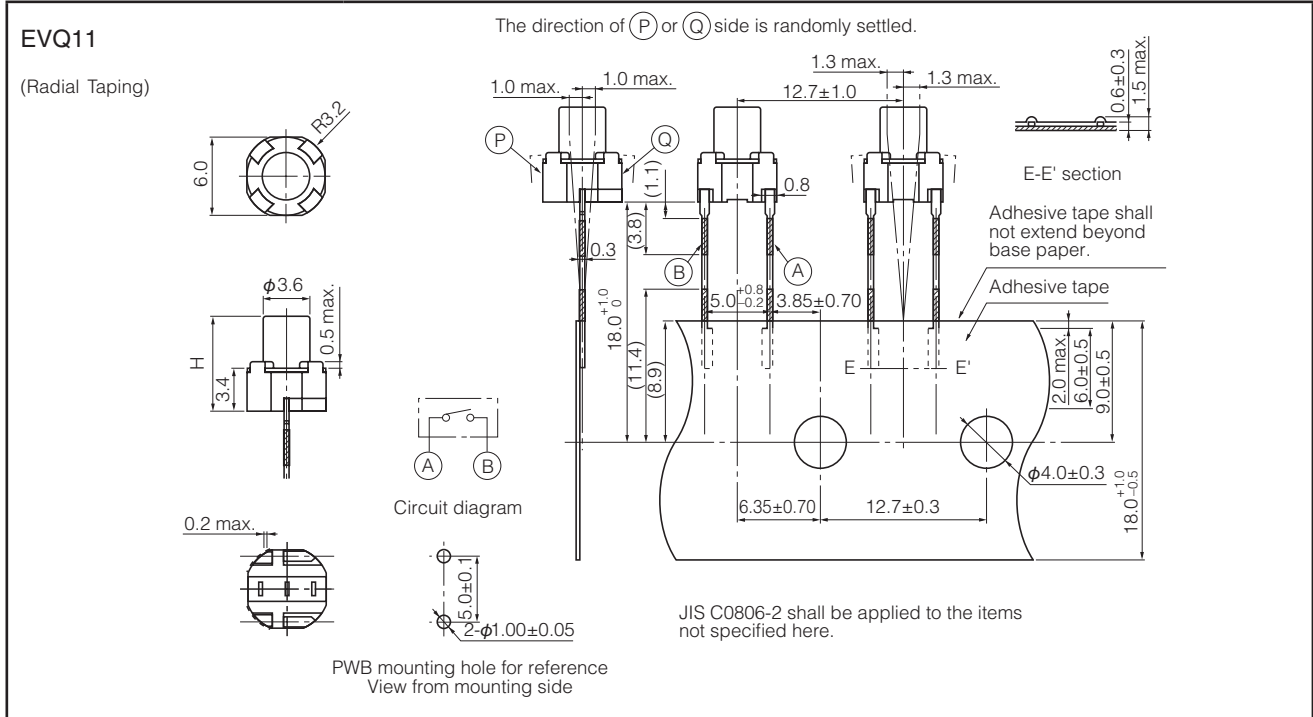
■ Specifications

Type		Snap action/Push-on type SPST	
Electrical	Circuit Diagram		
	Rating	10 μ A 2 Vdc to 20 mA 15 Vdc (Resistive load)	
	Contact Resistance	50 m Ω max.	
	Insulation Resistance	50 M Ω min. (at 100 Vdc)	
	Dielectric Withstanding Voltage	250 Vac for 1 minute	
	Bouncing	3 ms max. (ON) 8 ms max. (OFF)	
Mechanical	Operating Force	1.0 N \pm 0.4 N 1.3 N \pm 0.4 N 1.6 N \pm 0.5 N	2.6 N \pm 0.6 N
	Travel	0.25 mm \pm 0.10 mm	
Endurance	Operating Life	100000 cycles min. *	50000 cycles min.
Operating Temperature		-20 °C to +70 °C	
Storage Temperature		-40 °C to +85 °C (Bulk) -20 °C to +40 °C (Taping)	
Minimum Quantity/Packing Unit		2500 pcs. Radial Taping (Reel Pack)	
Quantity/Carton		25000 pcs.	

* 1 million cycles also available, consult our salesmen.

Design and specifications are each subject to change without notice. Ask factory for the current technical specifications before purchase and/or use. Should a safety concern arise regarding this product, please be sure to contact us immediately.

■ Dimensions in mm (not to scale)



Part Numbers	Operating Force	H=Height	Push Plate Color	Operating Life
EVQ11A04M	1.0N	4.3 mm	White	100000 cycles
EVQ11A05R	1.0N	5.0 mm	Red	100000 cycles
EVQ11A07K	1.0N	7.0 mm	Black	100000 cycles
EVQ11A09K	1.0N	9.5 mm	Black	100000 cycles
EVQ11D04K	1.0N	4.3 mm	Black	1000000 cycles
EVQ11D05B	1.0N	5.0 mm	Blue	1000000 cycles
EVQ11D07K	1.0N	7.0 mm	Black	1000000 cycles
EVQ11D09K	1.0N	9.5 mm	Black	1000000 cycles
EVQ11G04M	1.3N	4.3 mm	White	100000 cycles
EVQ11G05R	1.3N	5.0 mm	Red	100000 cycles
EVQ11G07K	1.3N	7.0 mm	Black	100000 cycles
EVQ11G09K	1.3N	9.5 mm	Black	100000 cycles
EVQ11K04K	1.3N	4.3 mm	Black	1000000 cycles
EVQ11K05B	1.3N	5.0 mm	Blue	1000000 cycles
EVQ11K07K	1.3N	7.0 mm	Black	1000000 cycles
EVQ11K09K	1.3N	9.5 mm	Black	1000000 cycles
EVQ11L04M	1.6N	4.3 mm	White	100000 cycles
EVQ11L05R	1.6N	5.0 mm	Red	100000 cycles
EVQ11L07K	1.6N	7.0 mm	Black	100000 cycles
EVQ11L09K	1.6N	9.5 mm	Black	100000 cycles
EVQ11Y04K	1.6N	4.3 mm	Black	1000000 cycles
EVQ11Y05B	1.6N	5.0 mm	Blue	1000000 cycles
EVQ11Y07K	1.6N	7.0 mm	Black	1000000 cycles
EVQ11Y09K	1.6N	9.5 mm	Black	1000000 cycles
EVQ11U04M	2.6N	4.3 mm	White	50000 cycles
EVQ11U05R	2.6N	5.0 mm	Red	50000 cycles
EVQ11U07K	2.6N	7.0 mm	Black	50000 cycles
EVQ11U09K	2.6N	9.5 mm	Black	50000 cycles
EVQ11V04K	2.6N	4.3 mm	Black	100000 cycles
EVQ11V05B	2.6N	5.0 mm	Blue	100000 cycles
EVQ11V07K	2.6N	7.0 mm	Black	100000 cycles
EVQ11V09K	2.6N	9.5 mm	Black	100000 cycles

Design and specifications are each subject to change without notice. Ask factory for the current technical specifications before purchase and/or use.
Should a safety concern arise regarding this product, please be sure to contact us immediately.