

# HONEYWELL

*See full Datasheet below...*

**onlinecomponents.com**  
*THE ONLINE DISTRIBUTOR OF ELECTRONIC COMPONENTS*

**BUY NOW**

 **MASTER**<sup>TM</sup>  
E L E C T R O N I C S

**BUY NOW**

masterelectronics.com & onlinecomponents.com  
are **authorized** e-commerce distributors  
of electronic components.

## EVN2000 Series Limit Switch



### Features

- Innovative wiring system featuring insulation displacement termination (IDT)
- Integrated cable gland/cord grip
- EN 50047 mounting compatible
- Designed to meet switch requirement within EN 81-1
- Snap action basic switch with 4 mm air gap
- IP 66/67 Enclosure rating, EN 60529. NEMA 1, 12, 13
- Direct opening of Normally Closed contacts conforming to IEC/EN 60947-5-1 annex K
- Double insulated switch element
- Compact plastic housing

### Description

The EVN2000 series limit switch is an innovative product which has been developed to address a need highlighted by Original Equipment Manufacturers (OEM), where “Ease of Wiring” is required. With the new design there is no need for access to the inside of the housing and therefore the housing cover, cover screws and gasket become obsolete. Furthermore, the integrated cable gland eliminates the need for additional conduit or cable gland hardware.

### Benefits

- Reduced wiring time, up to 50 % savings can be achieved
- Provides a truly global product by removing the need for conduit or cable gland hardware
- Meets globally accepted mounting standard
- Meets switch requirements within “Safety rules for the construction and installation of elevators/lifts”
- 1 Normally Closed, 1 Normally Open circuit conforming to EN 81-1
- Suitable for wet applications
- Forced opening of the normally closed circuit in the event of contacts welding
- No earth connection required, internal or external
- Suitable where space is at a premium

### Typical applications

- Elevators and moving stairs
- Scissor/platform lifts
- Overhead doors
- Material handling
- Packaging machinery
- Agricultural equipment

### WARNING


#### MISUSE OF DOCUMENTATION

- The information presented in this product sheet (or catalogue) is for reference only. DO NOT USE this document as product installation information.
- Complete installation, operation and maintenance information is provided in the instructions supplied with each product.

**Failure to comply with these instructions could result in death or serious injury.**

### WARNING

#### IF USED IN APPLICATIONS CONCERNING HUMAN SAFETY

- Only use NC direct opening (“positive opening”/ “positive break”) contacts, identified by the symbol .
- Do NOT use flexible / adjustable actuators. Only use actuators designed for safety applications.
- Do NOT defeat, tamper, remove, or bypass this switch.
- Hazardous voltage, disconnect power before servicing.
- Strictly adhere to all installation instructions.
- Consult with local safety agencies and their requirements when designing a machine-control link, interface and all control elements that affect safety.

**Failure to comply with these instructions could result in death or serious injury.**

# EVN2000 Series Limit Switch

## Technical information

### Specifications

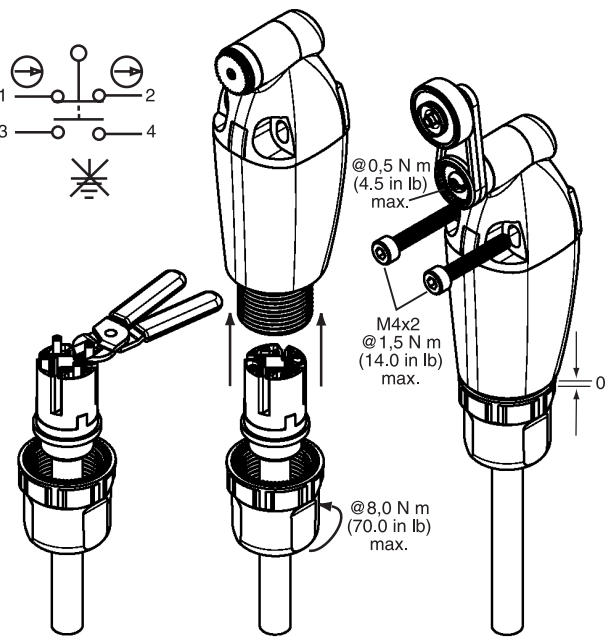
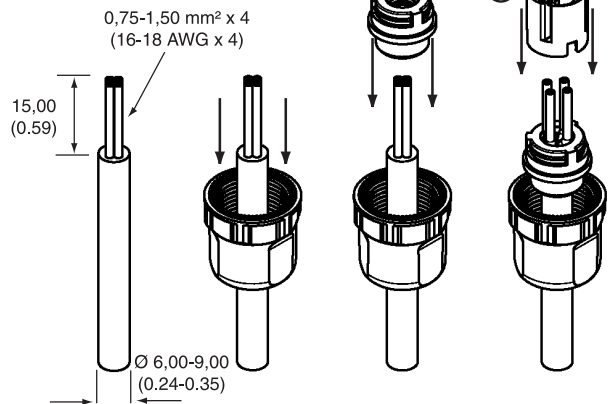
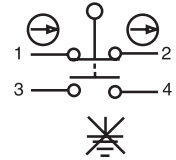
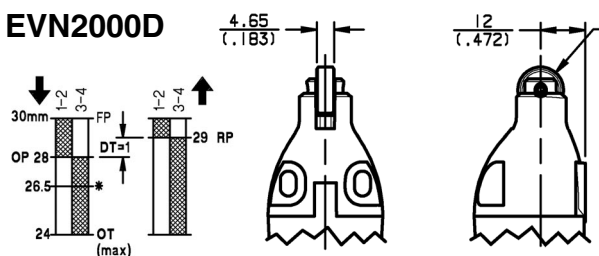
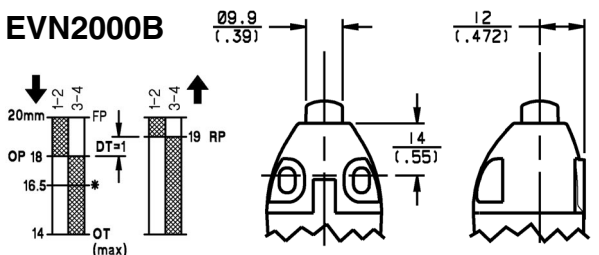
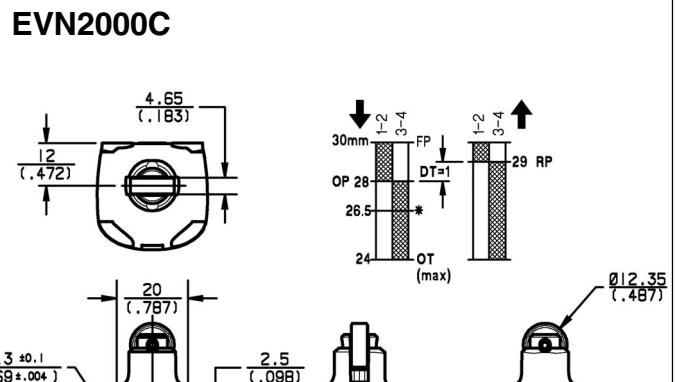
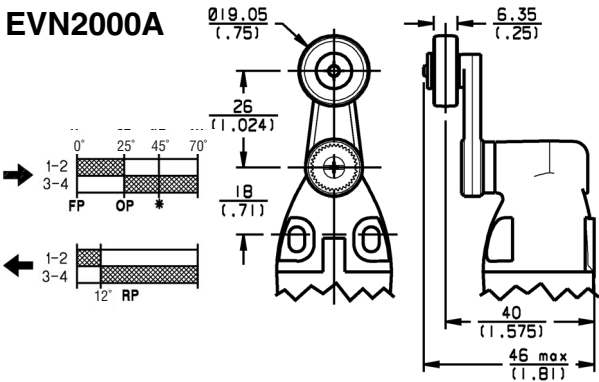
<b>Mechanical life:</b>	up to 10 million operations		
<b>Degree of protection:</b>	IP 66/67, EN 60529 NEMA/UL type 1, 12, 13		
<b>Operating temperature:</b>	-25 °C to 85 °C (-13 °F to 185 °F)		
<b>Storage temperature:</b>	-40 °C to 85 °C (-40 °F to 185 °F)		
<b>Standards/approvals:</b>	IEC/EN 60947-5-1 - European standard for electromechanical industrial control equipment EN 50047 - European standard for designing limit switches UL 508 - US standard for industrial control equipment UL 746C - US standard for plastic enclosures EN 60529 - European standard for IP codes EN 81-1 - European standard for electrical lifts		
<b>Electrical rating: IEC/EN 60947-5-1</b>	Rated operational current I <sub>e</sub> (A) at rated operational voltage U <sub>e</sub>	VA rating	
	120 V    240 V	Make	Break
AC15, A300	6        3	7200	720
	125 V    250 V		
DC13, Q300	0.55    0.27	69	69
<b>Rated insulation voltage : (Dielectric)</b>	320 V		
<b>Rated impulse withstand:</b>	2500 V		
<b>Polution degree:</b>	3		
<b>Thermal current:</b>	10 A		
<b>Short circuit withstand:</b>	SCPD 10 A quick acting fuse (IEC 269.1 gG-type)		
<b>Contact material:</b>	Silver		
<b>Circuit type:</b>	1NO/1NC Direct opening Single pole, single throw, double break Contact type Z <sub>b</sub> - the 2 contact elements are electrically separated		
<b>Cable/leadwire:</b>	Outside cable Ø 6.0 mm to 9.0 mm (0.24 in to 0.35 in) Leadwire 0,75 mm <sup>2</sup> to 1,5 mm <sup>2</sup> (16-18 AWG)		
<b>Shock:</b>	50 g conforming to IEC 68-2-27 (BS 2011, Part 2.1 Ea) (actuator not fitted)		
<b>Vibration:</b>	10 g conforming to IEC 68-2-6 (BS 2011, Part 2.1 Fc) (actuator not fitted)		
<b>Bump:</b>	40 g conforming to IEC 68-2-29 (BS 2011, Part 2 LeB)		

## Order guide

Description	Catalogue Listing
Side Rotary Lever	EVN2000A
Top Pin Plunger	EVN2000B
Top Roller Plunger, Parallel	EVN2000C
Top Roller Plunger, Perpendicular	EVN2000D

# EVN2000 Series Limit Switch

## Mounting drawings in mm and (inches)



Harax® is a registered trademark of HARTING KGaA

## Warranty/Remedy

Honeywell warrants goods of its manufacture as being free of defective material and faulty workmanship. Contact your local sales office for warranty information. If warranted goods are returned to Honeywell during that period of coverage, Honeywell will repair or replace without charge those items it finds defective. **The foregoing is Buyer's sole remedy and is in lieu of all other warranties, expressed or implied, including those of merchantability and fitness for a particular purpose.**

While we provide application assistance, personally, through our literature and the Honeywell web site, it is up to the customer to determine the suitability of the product in the application.

Specifications may change at any time without notice. The information we supply is believed to be accurate and reliable as of this printing. However, we assume no responsibility for its use.

## Sales and Service

Honeywell serves its customers through a worldwide network of sales offices and distributors. For application assistance, current specifications, pricing or name of the nearest Authorised Distributor, contact your local sales office or: INTERNET: [www.honeywell.com/sensing](http://www.honeywell.com/sensing)  
E-mail: [info.sc@honeywell.com](mailto:info.sc@honeywell.com)

### ASIA PACIFIC

**Control Products  
Asia Pacific Headquarters**  
Phone: +(65) 6355-2828  
Fax: +(65) 6445-3033

**Australia**  
Honeywell Limited  
Phone: +(61) 2-9370-4500  
FAX: +(61) 2-9370-4525  
Toll Free 1300-36-39-36  
Toll Free Fax: 1300-36-04-70

**China – PRC – Beijing**  
Honeywell China Inc.  
Phone: +(86-10) 8458-3280  
Fax: +(86-10) 8458-3102

**China – PRC – Shanghai**  
Honeywell China Inc.  
Phone: (86-21) 6237-0237  
Fax: (86-21) 6237-1237

**China – Hong Kong S.A.R.**  
Honeywell Ltd.  
Phone: +(852) 2953-6412  
Fax: +(852) 2953-6767

**Indonesia**  
Honeywell Indonesia Pte Ltd.  
Phone: +(62) 21-535-8833  
FAX: +(62) 21-5367 1008

**India**  
TATA Honeywell Ltd.  
Phone: +(91) 20 6870 445/  
446  
Fax: +(91) 20 681 2243/ 687  
5992

**Japan**  
Honeywell Inc  
Phone: +(81) 3 5440 1425  
Fax: +(81) 3 5440 1368

**South Korea**  
Honeywell Korea Co Ltd  
Phone: +(822) 799-6167  
Fax: +(822) 792-9013

**Malaysia**  
Honeywell Engineering Sdn  
Bhd  
Phone: +(60-3) 7958-4988  
Fax: +(60-3) 7958-8922

**New Zealand**  
Honeywell Limited  
Phone: +(64-9) 623-5050  
Fax: +(64-9) 623-5060  
Toll Free (0800) 202-088

**Philippines**  
Honeywell Systems  
(Philippines) Inc.  
Phone: +(63-2) 636-1661 /  
1662  
Fax: +(63-2) 638-4013

**Singapore**  
Honeywell South East Asia  
Phone: +(65) 6355-2828  
Fax: +(65) 6445-3033

**Thailand**  
Honeywell Systems (Thailand)  
Ltd.  
Phone: +(662) 693-3099  
FAX: +(662) 693-3085

**Taiwan R.O.C.**  
Honeywell Taiwan Ltd.  
Phone: +(886-2) 2245-1000  
FAX: +(886-2) 2245-3241

### EUROPE

**Austria**  
Honeywell Austria GmbH  
Phone: +(43) 1 727 80 366/  
246  
FAX: +(43) 1 727 80 337

**Belgium**  
Honeywell SA/NV  
Phone: +(32) 2 728 2522  
FAX: +(32) 2 728 2502

**Bulgaria**  
Honeywell EOOD  
Phone: +(359) 2 979 00 23  
FAX: +(359) 2 979 00 24

**Czech Republic**  
Honeywell spol. s.r.o.  
Phone: +(420) 261 123 457  
FAX: +(420) 261 123 461

**Denmark**  
Honeywell A/S  
Phone: +(45) 39 55 55 55  
FAX: +(45) 39 55 55 58

**Finland**  
Honeywell OY  
Phone: +(358) 9 3480101  
FAX: +(358) 9 34801375

**France**  
Honeywell SA  
Phone: +(33) 1 60 19 80 40  
FAX: +(33) 1 60 19 81 73

**Germany**  
Honeywell AG  
Phone: +(49) 69 8064 444  
FAX: +(49) 69 8064 442

**Hungary**  
Honeywell Kft.  
Phone: +(361) 451 43 00  
FAX: +(361) 451 43 43

**Italy**  
Honeywell S.p.a.  
Phone: +(39) 02 92146 450/  
456  
FAX: +(39) 02 92146 490

**The Netherlands**  
Honeywell B.V.  
Phone: +(31) 20 565 69 11  
FAX: +(31) 20 565 66 00

**Norway**  
Honeywell A/S  
Phone: +(47) 66 76 20 00  
FAX: +(47) 66 76 20 90

**Poland**  
Honeywell Sp. zo.o  
Phone: +(48) 606 09 64  
FAX: +(48) 606 09 01

**Portugal**  
Honeywell Portugal Lda  
Phone: +(351 21) 424 50 00  
FAX: +(351 21) 424 50 99

**Romania**  
Honeywell Bucharest  
Phone: +(40) 1 2110076  
FAX: +(40) 1 2103375

**Commonwealth of  
Independent States (CIS)**  
Z.A.O. Honeywell  
Phone: +(7 095) 796 98 36  
FAX: +(7 095) 797 99 06

**Slovak Republic**  
Honeywell s.r.o.  
Phone: +(421 2) 58 247 403  
FAX: +(421 2) 58 247 415

**South Africa (Republic of)**  
Honeywell Southern Africa  
Honeywell S.A. Pty. Ltd  
Phone: +(27) 11 695 8000  
FAX: +(27) 11 805 1504

**Spain**  
Honeywell S.A.  
Phone: +(34) 91 313 6100  
FAX: +(34) 91 313 6129

**Sweden**  
Honeywell AB  
Phone: +(46) 8 775 55 00  
FAX: +(46) 8 775 56 00

**Switzerland**  
Honeywell AG  
Phone: +(41) 1 855 24 40  
FAX: +(41) 1 855 24 45

**Turkey**  
Honeywell Turkey A.S.  
Phone: +(90) 216 5756620  
FAX: +(90) 216 5756637

**Ukraine**  
Honeywell  
Phone: +(380) 44 201 44 74  
FAX: +(380) 44 201 44 75

**United Kingdom**  
Honeywell Control Systems  
Ltd  
Phone: +(44) 1698 481481  
FAX: +(44) 1698 481276

**Mediterranean & African  
Distributors**  
Honeywell SpA  
Phone: +(39) 2 921 46 232  
FAX: +(39) 2 921 46 233

**Middle East Headquarters**  
Honeywell Middle East Ltd.  
Phone: +(9712) 443 2119  
FAX: +(9712) 443 2536

### NORTH AMERICA

**Canada**  
Honeywell LTD  
Phone: 1-800-737-3360  
FAX: 1-800-565-4130

**USA**  
Honeywell  
Sensing and Control  
Phone: 1-800-537-6945  
1-815-235-6847  
FAX: 1-815-235-6545  
E-mail:  
[info.sc@honeywell.com](mailto:info.sc@honeywell.com)

### LATIN AMERICA

**Argentina**  
Honeywell S.A.I.C.  
Phone: +(54-11) 4383-3637  
FAX: +(54-11) 4325-6470

**Brazil**  
Honeywell do Brasil & Cia  
Phone: +(55-11) 7266-1900  
FAX: +(55-11) 7266-1905

**Chile**  
Honeywell Chile, S.A.  
Phone: +(56-2) 233-0688  
FAX: +(56-2) 231-6679

**Columbia**  
Honeywell Columbia, S.A.  
Phone: +(57-1) 623-3239/  
3051  
FAX: +(57-1) 623-3395

**Ecuador**  
Honeywell S.A.  
Phone: +(593-2) 981-560/1  
FAX: +(593-2) 981-562

**Mexico**  
Honeywell S.A. de C.V.  
Phone: +(52) 55 5259-1966  
FAX: +(52) 55 5570-2985

**Puerto Rico**  
Honeywell Inc.  
Phone: +(809) 792-7075  
FAX: +(809) 792-0053

**Venezuela**  
Honeywell CA  
Phone: +(58-2) 238-0211  
FAX: +(58-2) 238-3391

This publication does not constitute a contract between Honeywell and its customers. The contents may be changed at any time without notice. It is the customer's responsibility to ensure safe installation and operation of the products. Detailed mounting drawings of all products illustrated are available on request.  
© 2003 Honeywell International Inc.

# Honeywell

## Sensing and Control

[www.honeywell.com/sensing](http://www.honeywell.com/sensing)

Honeywell Control Systems Ltd  
Newhouse Industrial Estate  
Motherwell, Lanarkshire ML1 5SB  
Scotland, UK