



Inserts, Elbows & Plugs

T&B Catalog Number:

ESL-3

UPC Number:

04226934075

Status:

Active

Description:

1 inch Die Cast Aluminum 90 Degree Insert. For Use with Rigid/IMC Conduit.

Application

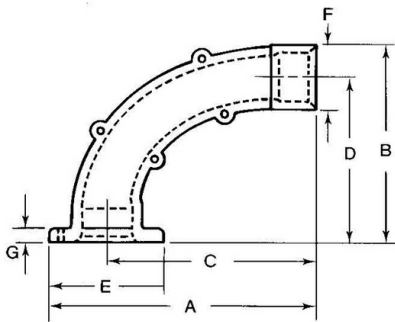
For use with rigid/IMC conduit

Allows in-slab ceiling drops and floor mounts in poured concrete as well as pre-fabrication of in-slab conduit system

General

Material Die Cast Aluminum

Dimension Information



Hub Size (inches)	1
A (inches)	5 5/32
B (inches)	3 3/4
C (inches)	3 15/16
D (inches)	2 63/64
E (inches)	2 7/16
F (inches)	1 17/32
G (inches)	1/4

Packaging

T&B Order Multiple	20
Package in Units	20
T&B Sold in UOM	Each
T&B Weight Per UOM	103 lbs. per 100

Application Support

Product Selector	lc_rigidimc_inserts_elbows_plugs
Product Overview	Available on Website
D-Pak Merchandising System	Available on Website

Certifications

RoHS Compliance Yes

Certifications



File Nbr:

E 28720

For further technical assistance, please contact us...

Thomas & Betts - USA
8155 T&B Blvd.
Memphis, TN 38125
www.tnb.com

T&B Technical Support
MS 3B-50
8155 T&B Blvd.
Memphis, TN 38125

Hours: 7AM - 6PM CDT
Monday-Friday
Phone: (888) 862-3289
Fax: (901) 252-1321
Email:techsupport@tnb.com