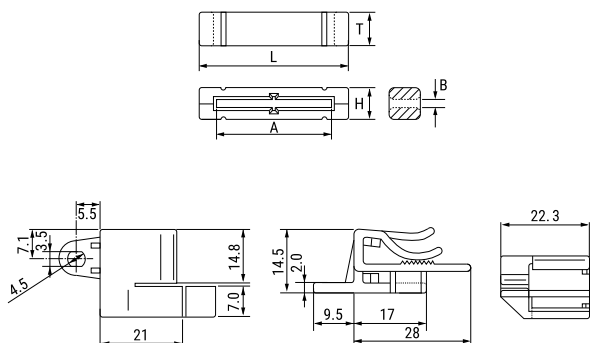


KEMET Part Number: ESD-FPD-34-1
(UECESDFPD34100)

KEMET, ESD-FPD-1, EMI Cores, Noise Suppression



Dimensions

L	60mm +/-1mm
T	12.7mm +/-1mm
H	10mm +/-2mm
A	48.3mm +/-1mm
B	2mm +/-1mm

Packaging Specifications

Packaging:	Tray, Box
Packaging Quantity:	250
Component Weight:	34.54 g

General Information

Series:	ESD-FPD-1
Style:	Flat - Split
Cable Type:	Flat Cable
Description:	EMI Core Split, For Flat Cables With Plastic Clamp
Features:	Nylon Clamp
RoHS:	Yes
Applicable Cable:	34 Core
Materials:	Ni-Zn

Specifications

Temperature Range:	-25/+85°C
Effective Frequency:	300 MHz (FM Band Range)