



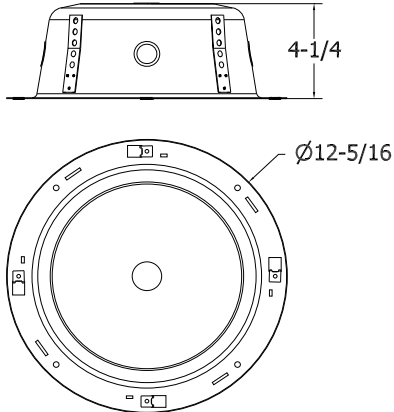
# ERD-8

Steel Back Box, 4x Welded straps

# ERD8U

Steel Back Box, 2x Snap-in straps

## BACK BOX, FLUSH MOUNT, ROUND



ERD-8 SHOWN



ERD8-U SHOWN

### GENERAL DESCRIPTION

The Quam ERD-8 or ERD8U is a round, steel loudspeaker back box. A circular, molded expanded polystyrene damping pad is fitted to the inside top of the enclosure. Finish: White baked epoxy hybrid.

### RECOMMENDED ADDITIONAL QUAM COMPONENTS

Refer to Section 0104.6- Customer Specified Assembly or individual components listed below:

Loudspeakers	Quam 8" O.D. loudspeakers Quam UL Listed Fire Signaling Devices: UL-5, UL-6, UL-7, UL-8
Transformers	5-tap, 10W, 5W, 4W, Color coded lead or rotary select
Loudspeaker Mounting Devices	Use only for 8" O.D. loudspeakers

### MECHANICAL SPECIFICATIONS

Internal Displacement	275 CI
Attachment Points	ERD8- 4x welded ERD8-U- 2x snap-in
Attachment to Tile Bridge	Twist tabs through side flange
Electrical Access	Top: 1x, Side: 4x 90° apart

### INTENDED USE

Indoor environment.

**UL Listed 1480- ( UUMW ) As a Fire Signaling Device:**  
When installed with supplied installation instructions and requirements of NFPA 72, NEC and AHJ.

### UL Listed 2043

Suitable for use in air-handling spaces.

Recommended construction sequences, installation instructions and A&E Specifications are available in various formats in the QUAM Architects' and Engineers' Resources section on the web at: [www.QuamSpeakers.com](http://www.QuamSpeakers.com)

### QUAM-NICHOLS COMPANY

234 East Marquette Road, Chicago IL 60637  
Phone: (800) NEED NOW Fax: (888) NEED NOW  
(800) 633-3669 (888) 633-3669  
E-Mail: [NeedNow@QNC.com](mailto:NeedNow@QNC.com) [www.QuamSpeakers.com](http://www.QuamSpeakers.com)

SIGNALING

