

EN3[®] RIGHT ANGLE PC BOARD MOUNT 2-18 CONTACT

NEW PRODUCT BULLETIN 597

SWITCHCRAFT[®]

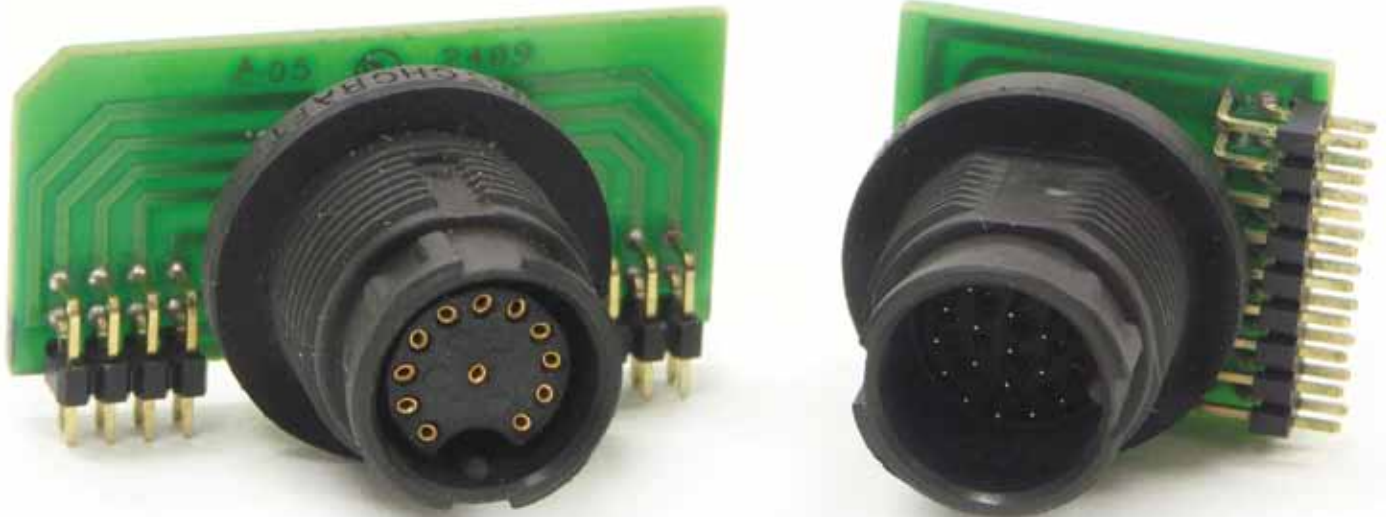
A HEICO COMPANY



Please visit www.switchcraft.com for the most up-to-date product specifications. Made in USA.

EN3® RIGHT ANGLE PC BOARD MOUNT 2-18 CONTACT

NEW PRODUCT BULLETIN 597



FEATURES & BENEFITS

- Sealed to IP68 NEMA 250 (6P)
- O-ring free design
- Easily mounts to PC boards
- Narrow or wide versions to fit your applications
- Gold plated contacts standard

APPLICATIONS

- Any sealed data transmission
- Military or industrial GPS location devices
- Instrumentation
- Medical data carts
- Marine Applications
- Transportation
- General industrial electronic applications



Please visit www.switchcraft.com for the most up-to-date product specifications. Made in USA.

EN3® RIGHT ANGLE PC BOARD MOUNT 2-18 CONTACT

NEW PRODUCT BULLETIN 597

SPECIFICATIONS

Mechanical Specifications

Vibration:	Mil-Std 202G Method 201A
Life:	600 insertion/withdrawal cycles minimum
Hex Nut Torque:	8-10 in/lb tightening torque

Electrical Specifications

Dielectric Withstanding Voltage:	Tested at 500 VAC
Insulation Resistance:	100 MΩ minimum at 77°F
Contact Resistance (2-8 #20 contact):	15 mΩ maximum initial 30 mΩ maximum after environmental
Contact Resistance (9-18 #26 contact):	30 mΩ maximum initial 50 mΩ maximum after environmental
Current Rating:	2.0 A (9-18 #26 contact) 4.0 A (5-8 #20 contact) 5.0 A (2-4 #20 contact)

Environmental Specifications

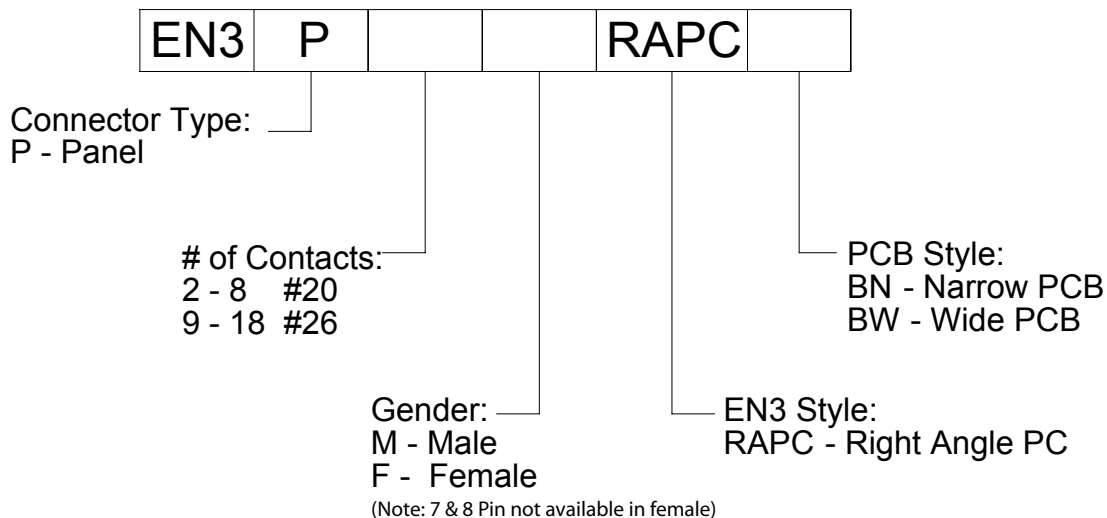
Temperature Rating:	-40°C to +65°C (-40°F to +149°F)
Moisture Resistance:	Mil-Std 202G Method 106G
Insulation Resistance:	Mil-Std 202G Method 302
Thermal Shock:	Mil-Std 202G Method 107G
Salt Spray:	Mil-Std 202G Method 101E

Material Specifications

Panel Connector Shell, Locking Disk:	Thermoplastic, UL94V-0
Connector Shell Interior:	Thermoplastic Elastomer, UL94HB
Contacts:	Copper Alloy, Gold over Nickel Plate
PCB:	FR-4
Header Insulator:	Thermoplastic, UL94V-0

Product Ratings:

IEC 60529 IP16/IP18. IEC 60529 IP66. IEC 60529 IP68 24 hours at 2 meters of water.
NEMA 250 6P 24 hours at 2 meters of water. CFR 46 Part 110.20

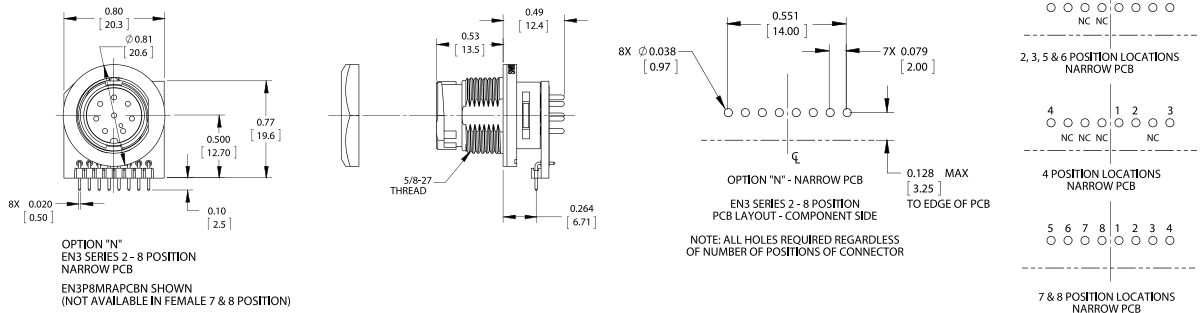


Please visit www.switchcraft.com for the most up-to-date product specifications. Made in USA.

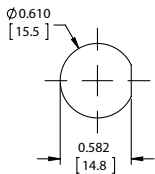
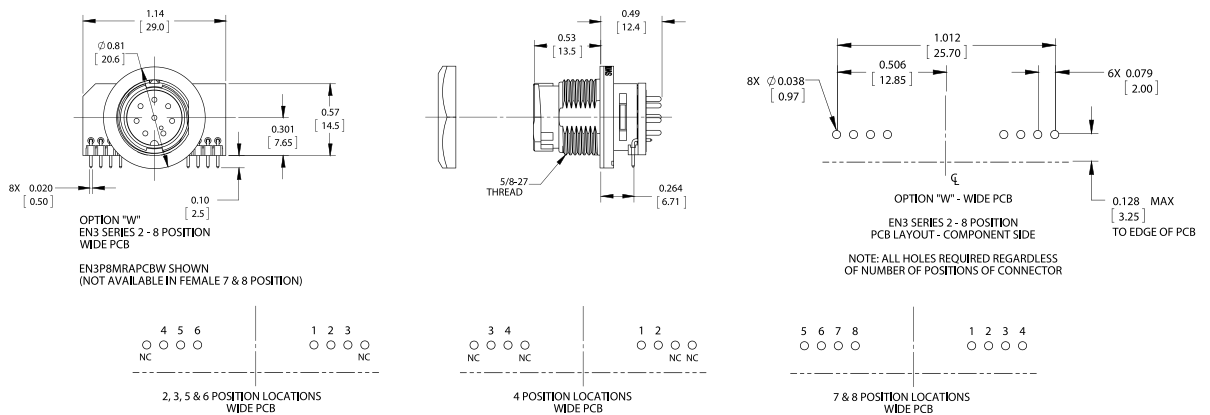
EN3® RIGHT ANGLE PC BOARD MOUNT 2-18 CONTACT

NEW PRODUCT BULLETIN 597

EN3 2-8 PIN RIGHT-ANGLE NARROW PCB PANEL CONNECTOR



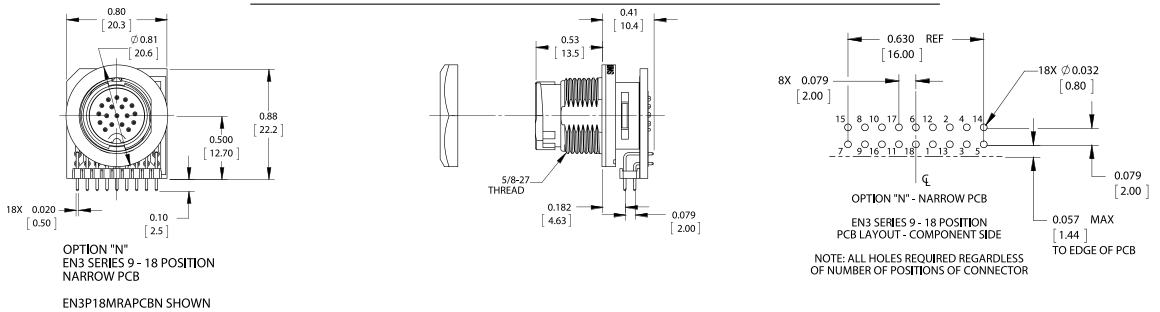
EN3 2-8 PIN RIGHT-ANGLE WIDE PCB PANEL CONNECTOR



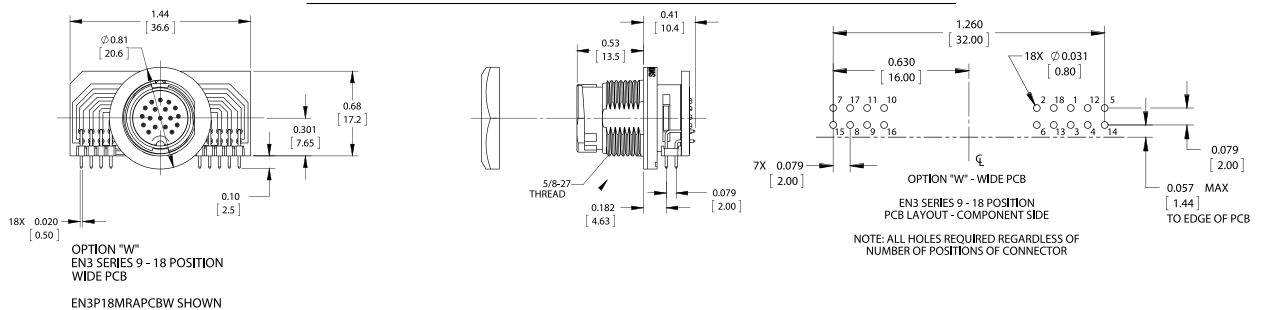
RECOMMENDED
PANEL CUT-OUT
0.188 MAX PANEL
THICKNESS

MOUNTING NUT
8-10 INCH-LBS
MAX TORQUE

EN3 9-18 PIN RIGHT-ANGLE NARROW PCB PANEL CONNECTOR



EN3 9-18 PIN RIGHT-ANGLE WIDE PCB PANEL CONNECTOR



All dimensions are for reference only.



Please visit www.switchcraft.com for the most up-to-date product specifications. Made in USA.