

Rotary Encoder

Model EN12 Series



Features:

- 12 mm
- 2 bits gray code
- Incremental/contacting type
- Metal bushing/shaft
- Push-on switch option



Model Styles Available

Top Adjust, with Switch	EN12-HS
Top Adjust, without Switch	EN12-HN
Side Adjust, with Switch	EN12-VS
Side Adjust, without Switch	EN12-VN

Electrical

Pulses (Per Revolution)	12 & 24
Closed Circuit Resistance, Ohms	3 Ohms, max.
Contact Rating	1mA/ 5Vdc
Operating Current, Maximum	1mA
Dielectric Strength	300Vac/ 1mA, 1 minute
Insulation Resistance, Minimum	100M ohms at 250Vdc/ 1mA
Sliding Noise (at 60 RPM)	2.0ms max.
Contact Bounce (at 15 RPM)	5.0ms max.
Operating Speed (RPM)	100 RPM max.
Switch Power Rating	10mA/ 5Vdc
Switch Contact Resistance	100 milliohms
Actual Electrical Travel, Nominal	Continuous

Mechanical

Total Mechanical Travel	Continuous
Detents (per Revolution)	0, 12, 24
Rotational Torque of Detent, Maximum	1.4 oz-in
Switch Operating Force	550 gf
Switch Travel	0.5mm

General Note
 TT Electronics reserves the right to make changes in product specification without notice or liability. All information is subject to TT Electronics' own data and is considered accurate at time of going to print.

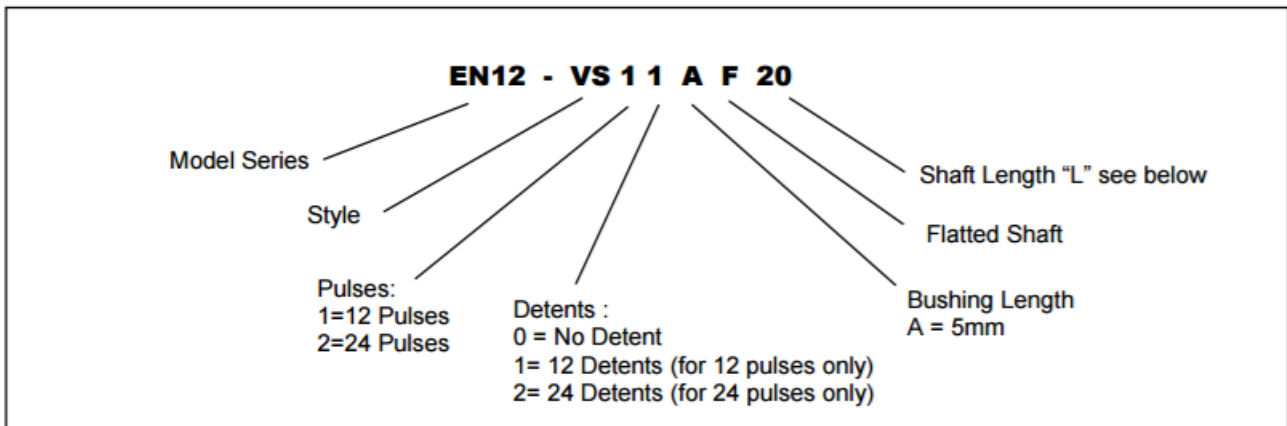
TT Electronics | BI Technologies
 Circulo de la Amistad #102 PIMSA IV Mexicali B.C. Mexico C.P 21210
 Ph: +1 714 447 2345
www.ttelectronics.com/bi-technologies

Environmental

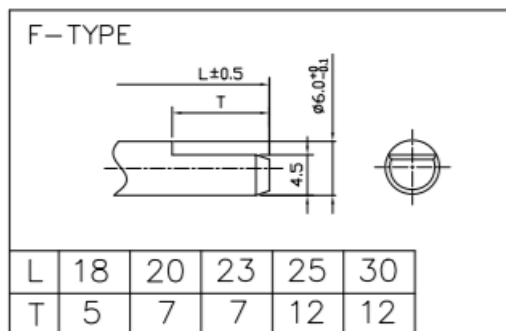
Rotational Life

30,000 cycles

Ordering



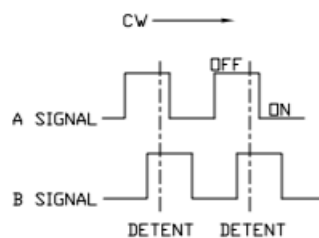
Shaft Length Options



18 Length = 17.5mm

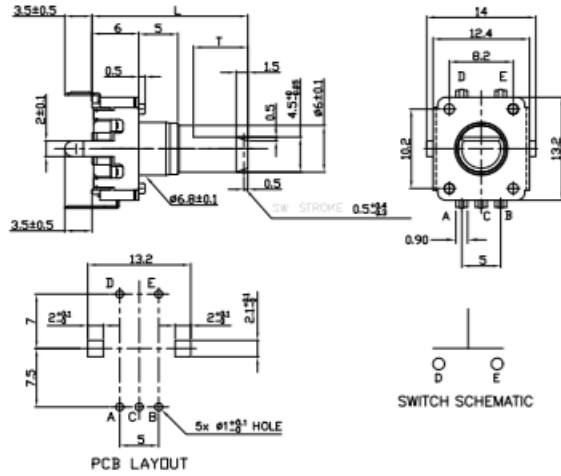
23 Length = 22.5mm

Circuit Diagram

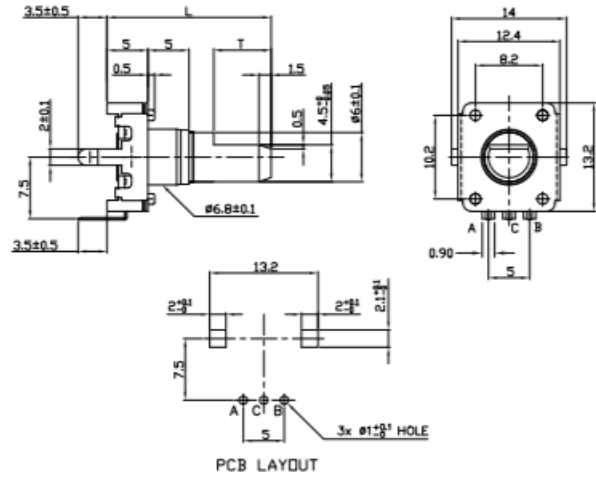


Outline Drawings

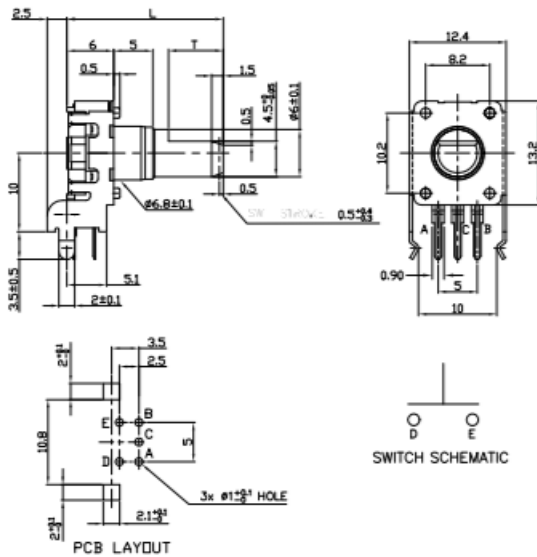
EN12-HS (Top Adjust, with Switch)



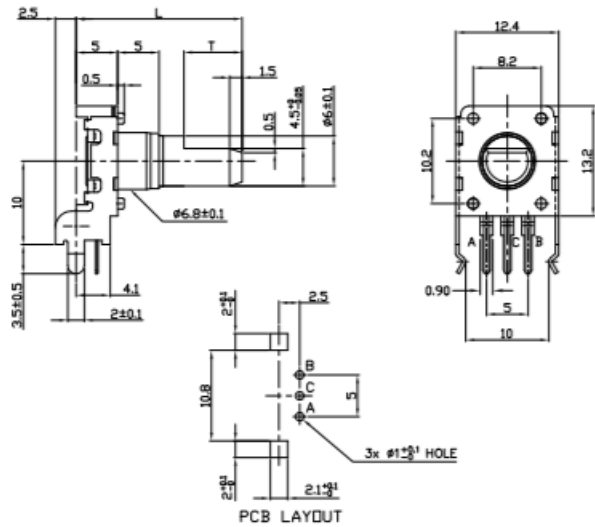
EN12-HN (Top Adjust, without Switch)



EN12-VS (Side Adjust, with Switch)



EN12-VN (Side Adjust, without Switch)



General Note
 TT Electronics reserves the right to make changes in product specification without notice or liability. All information is subject to TT Electronics' own data and is considered accurate at time of going to print.

TT Electronics | BI Technologies
 Circulo de la Amistad #102 PIMSA IV Mexicali B.C. Mexico C.P 21210
 Ph: +1 714 447 2345
 www.ttelectronics.com/bi-technologies