

# Relay Module - EMG 45-RELS/IR1-G 24 - 2950996

Please be informed that the data shown in this PDF Document is generated from our Online Catalog. Please find the complete data in the user's documentation. Our General Terms of Use for Downloads are valid (<http://phoenixcontact.com/download>)



Relay module, with 1 plug-in base for industrial relays size 1, contact: 4 PDTs, input voltage 24-48 V DC, with light indicator, damping and polarity protection diode

The illustration shows version EMG 45-RELS/IR1, with plug-in socket for industrial relay, size 1



## Key Commercial Data

Packing unit	5 STK
GTIN	 4 017918 084165

## Technical data

### Dimensions

Width	45 mm
Height	75 mm
Depth	82.5 mm

### Ambient conditions

Ambient temperature (operation)	-20 °C ... 50 °C
Ambient temperature (storage/transport)	-20 °C ... 70 °C

### Input data

Nominal input voltage $U_N$	24 V DC
-----------------------------	---------

### Connection data, output side

Connection name	Output side
Connection method	Screw connection
Stripping length	8 mm
Screw thread	M3
Conductor cross section solid	0.2 mm <sup>2</sup> ... 4 mm <sup>2</sup>
Conductor cross section flexible	0.2 mm <sup>2</sup> ... 2.5 mm <sup>2</sup>

# Relay Module - EMG 45-RELS/IR1-G 24 - 2950996

## Technical data

### Connection data, output side

Conductor cross section AWG	24 ... 12
-----------------------------	-----------

### General

Note	For the protection of relay coils and contacts, inductive loads must be dampened with an efficient protection circuit.
Color	green
Insulating material	PC-F
Standards/regulations	IEC 60664
	IEC 60664A
	DIN VDE 0160 (in relevant parts)
	DIN VDE 0109-11 (in relevant parts)
Mounting position	any
Assembly instructions	In rows with zero spacing

### Connection data output side

Connection name	Output side
Connection method	Screw connection
Stripping length	8 mm
Screw thread	M3
Conductor cross section solid	0.2 mm <sup>2</sup> ... 4 mm <sup>2</sup>
Conductor cross section flexible	0.2 mm <sup>2</sup> ... 2.5 mm <sup>2</sup>
Conductor cross section AWG	24 ... 12

### Standards and Regulations

Standards/regulations	IEC 60664
	IEC 60664A
	DIN VDE 0160 (in relevant parts)
	DIN VDE 0109-11 (in relevant parts)

## Classifications

### eCl@ss

eCl@ss 4.0	27371102
eCl@ss 4.1	27371102
eCl@ss 5.0	27371001
eCl@ss 5.1	27371001
eCl@ss 6.0	27371001
eCl@ss 7.0	27371001
eCl@ss 8.0	27371601
eCl@ss 9.0	27371601

### ETIM

ETIM 2.0	EC000196
----------	----------

# Relay Module - EMG 45-RELS/IR1-G 24 - 2950996

## Classifications

### ETIM

ETIM 3.0	EC000196
ETIM 4.0	EC000196
ETIM 5.0	EC001437

### UNSPSC

UNSPSC 6.01	30211916
UNSPSC 7.0901	39121515
UNSPSC 11	39121515
UNSPSC 12.01	39121515
UNSPSC 13.2	39121515

## Approvals

### Approvals

---

Approvals

EAC / EAC

---

Ex Approvals

---

Approvals submitted

---

### Approval details

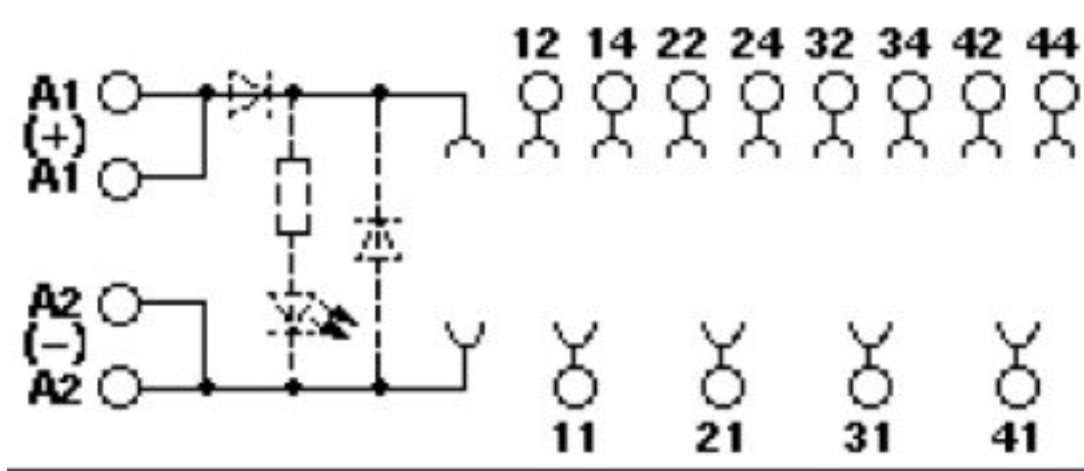
EAC
-----

EAC
-----

## Drawings

# Relay Module - EMG 45-RELS/IR1-G 24 - 2950996

Circuit diagram



Phoenix Contact 2016 © - all rights reserved  
<http://www.phoenixcontact.com>

PHOENIX CONTACT GmbH & Co. KG  
Flachsmarktstr. 8  
32825 Blomberg  
Germany  
Tel. +49 5235 300  
Fax +49 5235 3 41200  
<http://www.phoenixcontact.com>