

Curtis® liquid level controls

Model ELS

Economical unit with sensitivity up to 100,000 ohms

Features

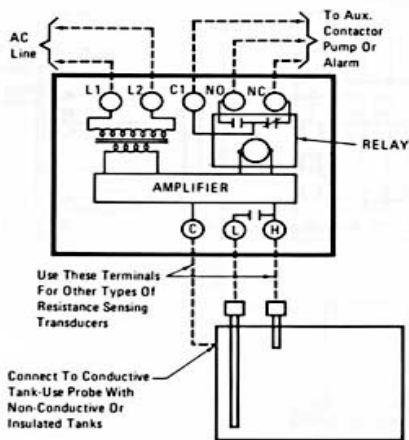
- Solid State Amplifier with SCR and Control Relay
- Low AC Signal Voltage
- Compact Printed Circuit Design
- 1/4" Quick-Connect Terminals
- Insensitive to Transients
- Built-in Holding Circuit for Differential Levels or Manual Reset
- Plug-in Dust-Tight Relay
- Recognized Under the Components Program of Underwriters Laboratories, Inc. Listed with Canadian Standards Association.



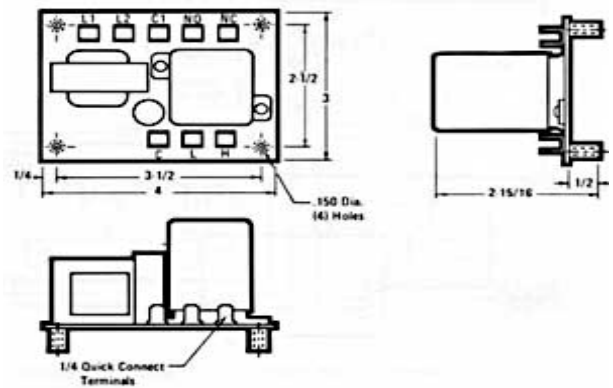
Specifications

| | | | |
|--|--|---|--|
| Input Supply: | Model ELS-1-A,B,C ELS-1-A,B,C | Input Supply 120VAC, 50/60 Hz 240VAC, 50/60 Hz | Maximum Signal or Probe Voltage: 24VAC Maximum Signal or Probe Current: 10MA |
| Maximum Allowable Supply Voltage Variation: ± 10% | | | Control Relay: Single Pole Double Throw, Plug-in Type with Dust-Tight Cover |
| Maximum Power Consumption: 3 Watts | | | Load Contacts: SPST Rated – 1/4 HP, 10 Amps, 120VAC 1/3 HP, 10 Amps, 240VAC |
| Detectable Range: | ELS-1,2-A ELS-1,2-B ELS-1,2-C | 100,000 ohms 50,000 ohms 25,000 ohms | Ambient Operating Temperature: 32° F to 140° F Standard Termination: .250" Quick-Connects |

Outline and Mounting Dimensions



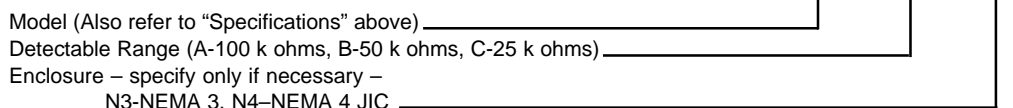
Connection Diagrams



This is a fixed-sensitivity, forward mode control. The control relay is energized when liquid rises to contact the "H" probe. The control relay is pulled in and remains energized until liquid drops below the "L" probe.

Ordering Information

Typical Curtis Model Number



The composite number above reads as "an ELS amplifier for 120VAC supply, without enclosure, and with 100 K ohms sensitivity."

For further information on catalog listed controls contact your area Curtis representative or Curtis distributor.
For custom design or modification contact your area Curtis Representative or the factory direct.