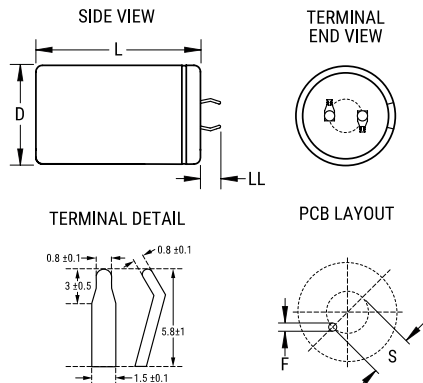


ELH, Aluminum Electrolytic, 100 uF, 20%, 400 VDC, -25/+85°C



**Dimensions**

<b>D</b>	22mm +1mm
<b>L</b>	30mm +2mm
<b>S</b>	10mm +/-0.5mm
<b>LL</b>	5.8mm +/-1mm
<b>F</b>	1.5mm +/-0.1mm

**Packaging Specifications**

<b>Packaging:</b>	Bulk, Bag
<b>Packaging Quantity:</b>	400

**General Information**

<b>Series:</b>	ELH
<b>Dielectric:</b>	Aluminum Electrolytic
<b>Description:</b>	Snap-In, Aluminum Electrolytic
<b>RoHS:</b>	Yes
<b>Lead:</b>	2 Pin
<b>AEC-Q200:</b>	No

**Specifications**

<b>Capacitance:</b>	100 uF
<b>Capacitance Tolerance:</b>	20%
<b>Voltage DC:</b>	400 VDC, 450 VDC (Surge)
<b>Temperature Range:</b>	-25/+85°C
<b>Rated Temperature:</b>	85°C
<b>Life:</b>	2000 Hrs
<b>Dissipation Factor:</b>	15% 120Hz 20C
<b>Resistance:</b>	582 mOhms (20kHz 25C)
<b>Ripple Current:</b>	900 mAmps (120Hz)
<b>Leakage Current:</b>	800 uA (5min 20°C)

Statements of suitability for certain applications are based on our knowledge of typical operating conditions for such applications, but are not intended to constitute - and we specifically disclaim - any warranty concerning suitability for a specific customer application or use. This Information is intended for use only by customers who have the requisite experience and capability to determine the correct products for their application. Any technical advice inferred from this Information or otherwise provided by us with reference to the use of our products is given gratis, and we assume no obligation or liability for the advice given or results obtained.