

## DK/EK-Series



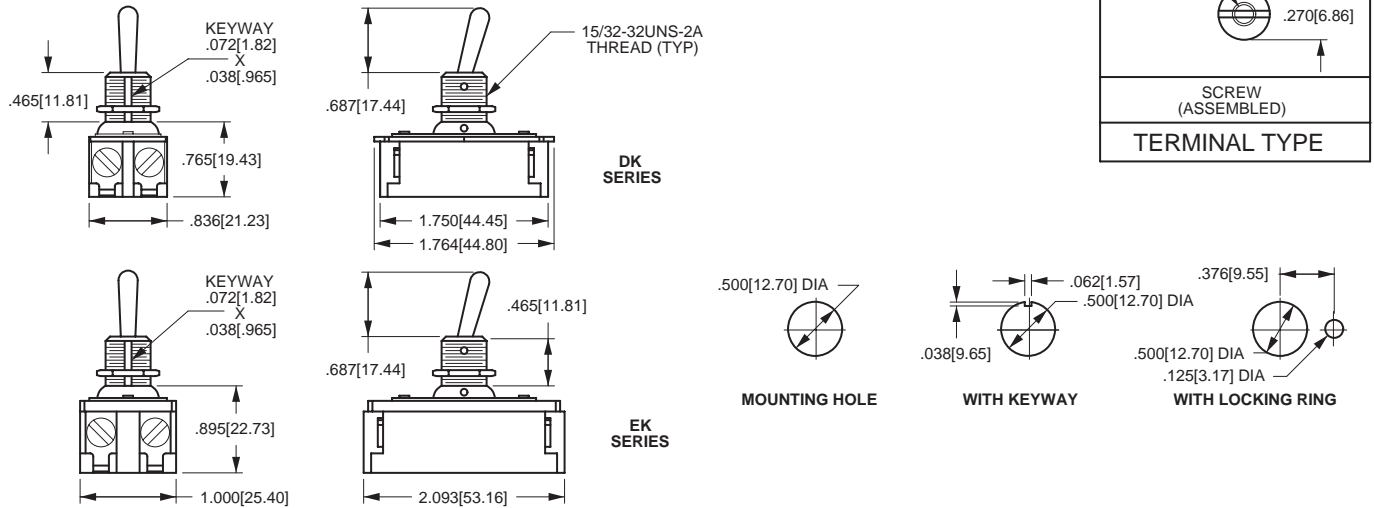
The DK/EK-Series toggle switches are quick-make and quick-break type switches, suitable for high amperage AC/DC motor control. These heavy-duty switches are supplied with plated brass toggles and bushings in a phenolic base.

### Specifications

- Certifications\*: UL, CSA
- Dielectric Strength: 1,000 V (minimum)
- Insulation Resistance: 100 Megohms (minimum)
- Base Material: Phenolic
- Actuator Material: Brass/Nickel Plate
- Bezel Material: Brass/Nickel Plate

\* Due to ongoing technological advances, consult factory for certification specifics.

### Dimensional Specifications: in. [mm]



<b>DK</b>	<b>28</b>	<b>4</b>	<b>-</b>	<b>73</b>
<b>SERIES/CIRCUIT</b>	<b>RATING</b>	<b>TERMINATION</b>	<b>TOGGLE STYLE</b>	
<b>DA</b> ON-OFF SINGLE POLE <b>DK</b> ON-OFF DOUBLE POLE	<b>28</b> 8A 250V 16A 125V 1HP 125-250V	<b>4</b> SCREW TERMINAL	TOGGLE BUSHING SUFFIX LENGTH LENGTH NO. BALL .500 .343 <b>32</b> BAT .687 .343 <b>72</b> .687 .465 <b>73</b>	

<b>EK</b>	<b>20</b>	<b>4</b>	<b>-</b>	<b>73</b>
<b>SERIES/CIRCUIT</b>	<b>RATING</b>	<b>TERMINATION</b>	<b>TOGGLE STYLE</b>	
<b>EA</b> ON-OFF SINGLE POLE <b>EK</b> ON-OFF DOUBLE POLE	<b>20</b> 10A 250V 20A 125V 1 1/2HP 125-250V	<b>4</b> SCREW TERMINAL	TOGGLE BUSHING SUFFIX LENGTH LENGTH NO. BALL .500 .343 <b>32</b> BAT .687 .343 <b>72</b> .687 .465 <b>73</b>	

NOTES:  
Shading indicates standard configurations.