

Proximity Sensors Inductive Stainless Steel Housing Types EI, Ø 6.5, M8, NAMUR



- Stainless steel housing, cylindrical
- Diameter: Ø 6.5, M8
- Short versions
- Sensing distance: 1 to 2 mm
- Output: NAMUR (DIN 19234)
- Protection: Reverse polarity
- 2 m cable

Product Description

Proximity switch in Ø 6.5 and M8 housings. Made in accordance with NAMUR DIN 19 234. Short version in standard stainless steel housing. Amplifier relay SD ... is available.

Ordering Key

EI 0601 NAC S

Type _____
Housing diameter (mm) _____
Rated operating dist. (mm) _____
Output type _____
Housing material _____

Type Selection

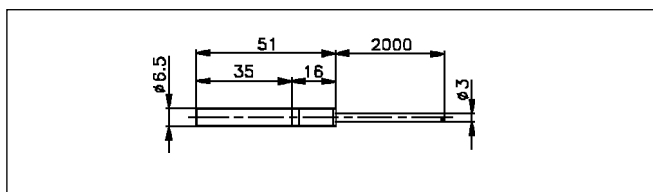
Housing diameter	Rated operating distance (S _n)	Ordering no. NAMUR	
Ø 6.5 mm	1 mm ¹⁾	EI 0601 NACS	
M8	1 mm ¹⁾	EI 0801 NACS	¹⁾ For flush mounting in metal
M8	2 mm ²⁾	EI 0802 NACS	²⁾ For non-flush mounting in metal

Specifications

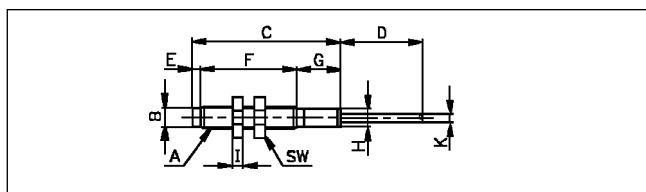
Rated operational volt. (U _e) (U _B)	8.2 VDC 7 to 9 VDC (6 to 35 VDC, all specifications not observed in extended supply range)	Effective operating dist. (S _r)	0.9 x S _n ≤ S _r ≤ 1.1 x S _n
Self-inductance	Max. 500 µH	Usable operating dist. (S _u)	0.9 x S _r ≤ S _u ≤ 1.1 x S _{rZ}
Self-capacitance	Max. 120 nF	Ambient temperature	
Current consumption (I _o)	Activated: ≤1 mA Not activated: ≥ 2.2 mA Max.: 9.35 mA	Operating	-25° to +70°C (-13° to +158°F)
Protection	Reverse polarity	Storage	-30° to +80°C (-22° to +176°F)
Transient voltage	≤ 1 kV/0.5 J (prepared)	Degree of protection	IP 67 (Nema 1, 3, 4, 6, 13)
Frequency of operating cycles (f)	EI 0601 2000 Hz EI 0801 2000 Hz EI 0802 1500 Hz	Housing material	
Assured operating dist. (S _a)	0 ≤ S _a ≤ 0.81 x S _n	Body	Stainless steel (1.4301)
Repeat accuracy (R)	≤ 5%	Front	Thermoplastic polyester
Hysteresis (H) (Differential travel)	Dependent on amplifier relay	Back	Black PVC
		Cable	EI 06 2 m, 2 x 0.14 mm ² EI 08 2 m, 2 x 0.14 mm ² grey PVC, oil proof
		Weight (cable included)	EI 06 30 g EI 08 50 g
		Tightening torque	EI 08 3.0 Nm (x) 7.0 Nm (y) Refer to "Terms Used" Technical information.
		Approvals	UL, CSA
		CE-marking	Yes

Dimensions

Type	A	B Ø mm	C mm	D mm	E mm	F mm	G mm	H mm	I mm	SW mm	K Ø mm
EI 0801	M8 x 1	6.7	51	2000	0	35	16	Ø 6.5	4	13	3
EI 0802	M8 x 1	6.7	54	2000	3	35	16	Ø 6.5	4	13	3

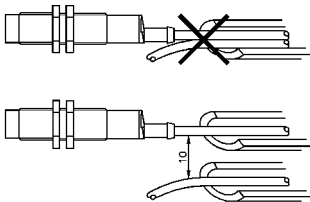
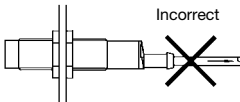

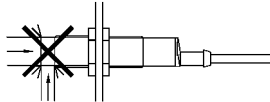
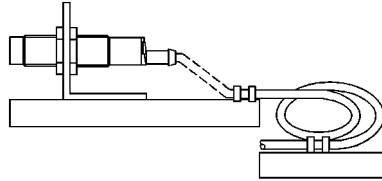


EI 0601

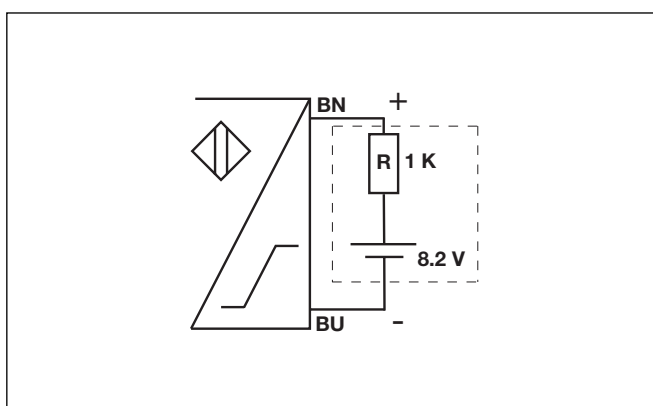


EI 08

Installation Hints

<p>To avoid interference from inductive voltage/current peaks, separate the prox. switch power cables from any other power cables, e.g. motor, contactor or solenoid cables</p> 	<p>Relief of cable strain</p> <p>Incorrect</p>  <p>Correct</p>  <p>The cable should not be pulled</p>	<p>Protection of the sensing face</p>  <p>A proximity switch should not serve as mechanical stop</p>	<p>Switch mounted on mobile carrier</p>  <p>Any repetitive flexing of the cable should be avoided</p>
--	--	--	---

Wiring Diagram



NAMUR, Amplifier Relays

> SD 110/210.
> SD 170/270.

Refer to Technical information.