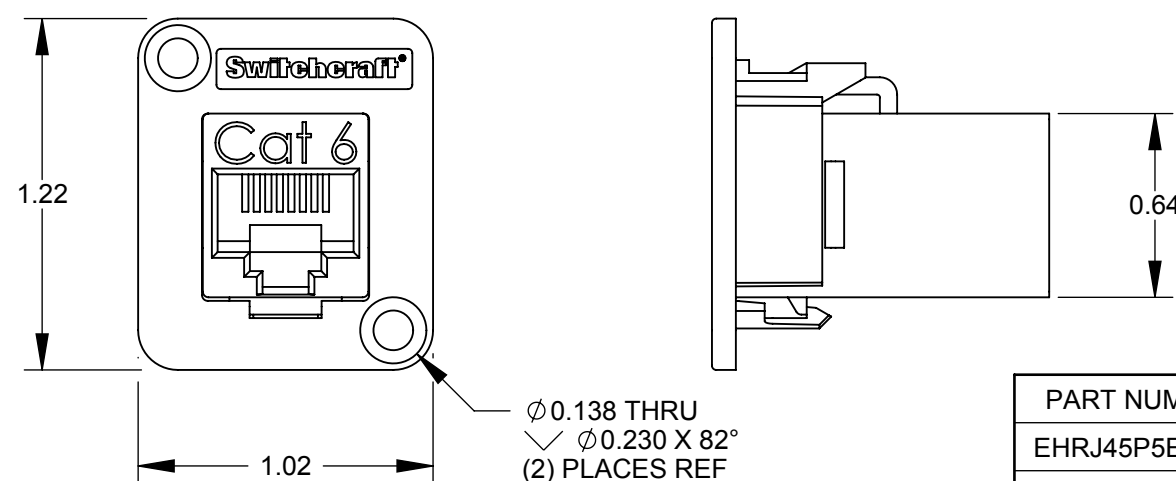
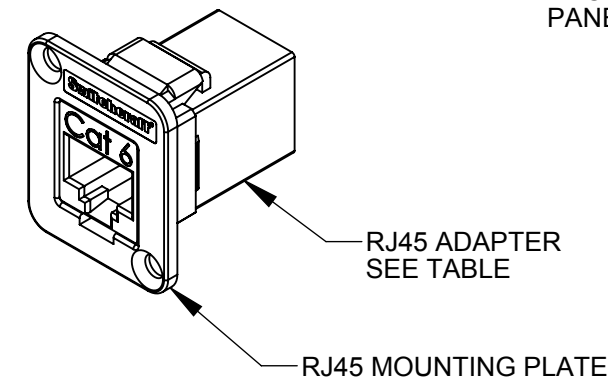
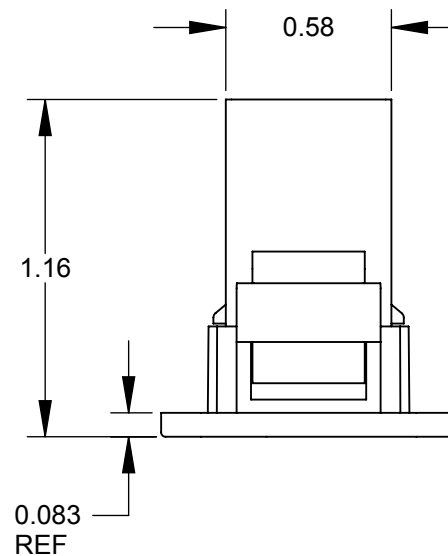
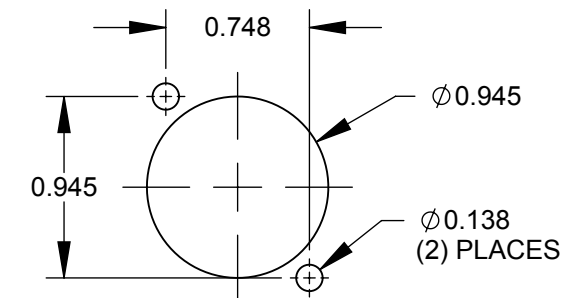


SHIELDED VERSIONS
EHRJ45P5ES
SHOWN



UNSHIELDED VERSIONS
EHRJ45P6
SHOWN



RECOMMENDED
PANEL CUT-OUT

PART NUMBER	RJ45 ADAPTER
EHRJ45P5E	CAT5e UNSHIELDED
EHRJ45P5ES	CAT5e SHIELDED
EHRJ45P6	CAT6 UNSHIELDED
EHRJ45P6S	CAT6 SHIELDED

NOTES:

- ADAPTER MEETS:
CAT5e: TIA/EIA-568-B.2 STANDARD
CAT6: TIA/EIA-568-B.2-1 STANDARD
- MATERIALS:
RJ45 MOUNTING PLATE - THERMOPLASTIC, BLACK
RJ45 HOUSING - THERMOPLASTIC, BLACK
RJ45 SHIELD - COPPER ALLOY, NICKEL PLATED
- FOR SCREWS TO BE SHIPPED WITH ASSEMBLY, ADD SUFFIX -PKG TO PART NUMBER.
- WHEN MOUNTING ASSEMBLY, USE A SCREW TORQUE OF 10 INCH-LBS MAXIMUM.
- THIS PRODUCT IS RoHS COMPLIANT.

CUSTOMER DRAWING

REVISIONS					UNLESS OTHERWISE SPECIFIED					THIS DRAWING DESCRIBES A DESIGN CONSIDERED PROPRIETARY IN NATURE, DEVELOPED AND MANUFACTURED BY SWITCHCRAFT INC. AND IS RELEASED ON A CONFIDENTIAL BASIS FOR IDENTIFICATION PURPOSES ONLY.					
A	26387	5/15/09	RS	TJK	1. ALL DIMENSIONS IN INCHES - TWO PLACE DECIMALS ±0.02 - THREE PLACE DECIMALS ±0.005					SIZE	WIDTH	MULT	LBS/M	TEMPER	
REV	ECO NUMBER	DATE	BY	APVD	DO NOT SCALE DRAWING					FINISH		MATERIAL			
										SPEC No.		SCALE			SPEC No.
										FIRST USED ON		SCALE 1.5:1			
										DATE DRAWN	BY	CHKD	APVD	Switchcraft®	
										7/7/08	JGK	RS	TJK		
										NAME		PART No.			REV
										EH SERIES RJ45, RoHS		EHRJ45P SERIES			A