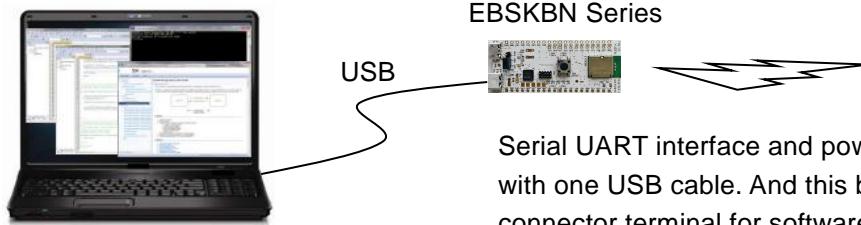




## Introduction

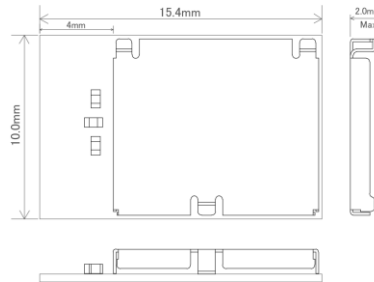
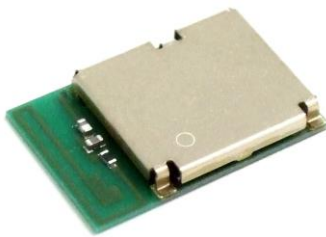
This evaluation board is applicable for Taiyo Yuden's **Bluetooth® low energy** module, EYSKBN Series.



Serial UART interface and power supply are possible with one USB cable. And this board has the SWD connector terminal for software development.

## Mounted module

EYSKBN (10.0mm x 15.4mm x 2.0mm\_MAX)



Nordic nRF52840 / ARM® Cortex™-M4F 32 bit processor and 1MB Flash & 256kB RAM  
63-pin Land Grid Array / 46GPIOs / SWD

- Basic Module -

Taiyo Yuden writes firmware for S140 (EYSKBNZWB) SoftDevice to this product.

The user can develop unique application for the module.

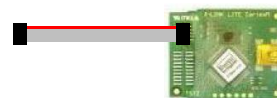
## Content

1	EBSKBN Series Evaluation Board	1 pc
2	J-Link Lite (EYSKBN Series Only)	1 set

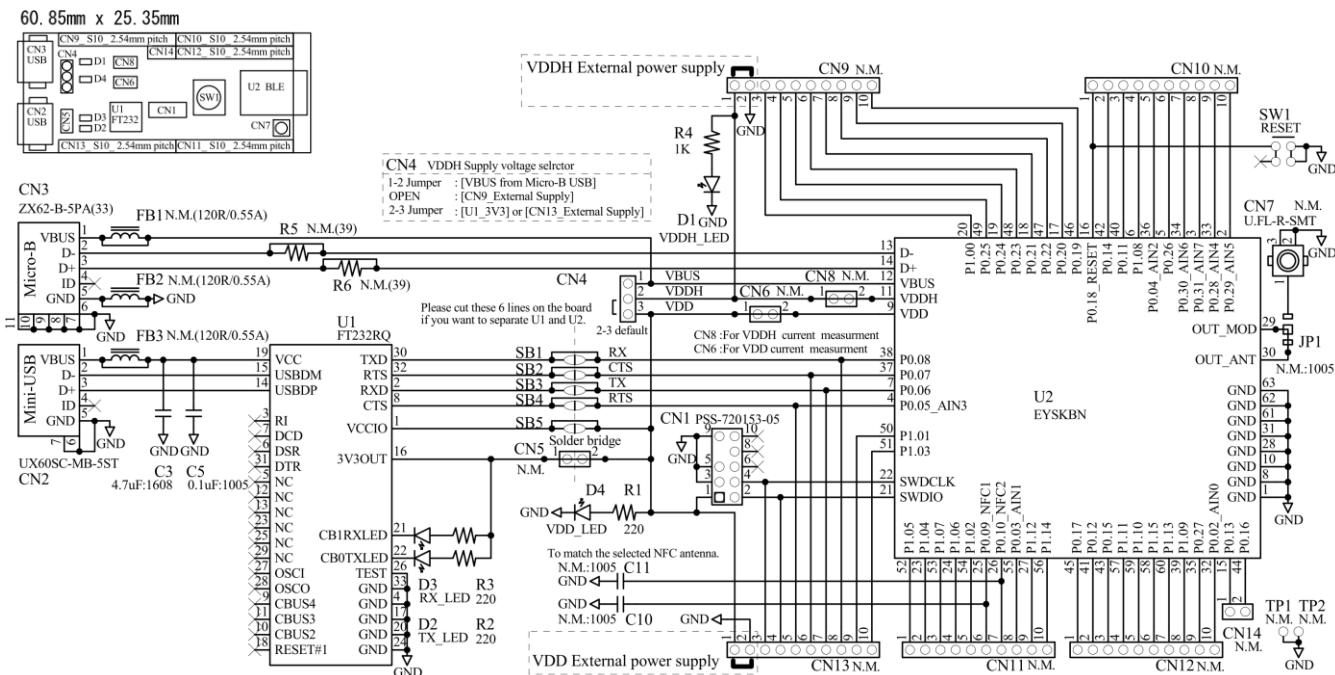
1. EBSKBN



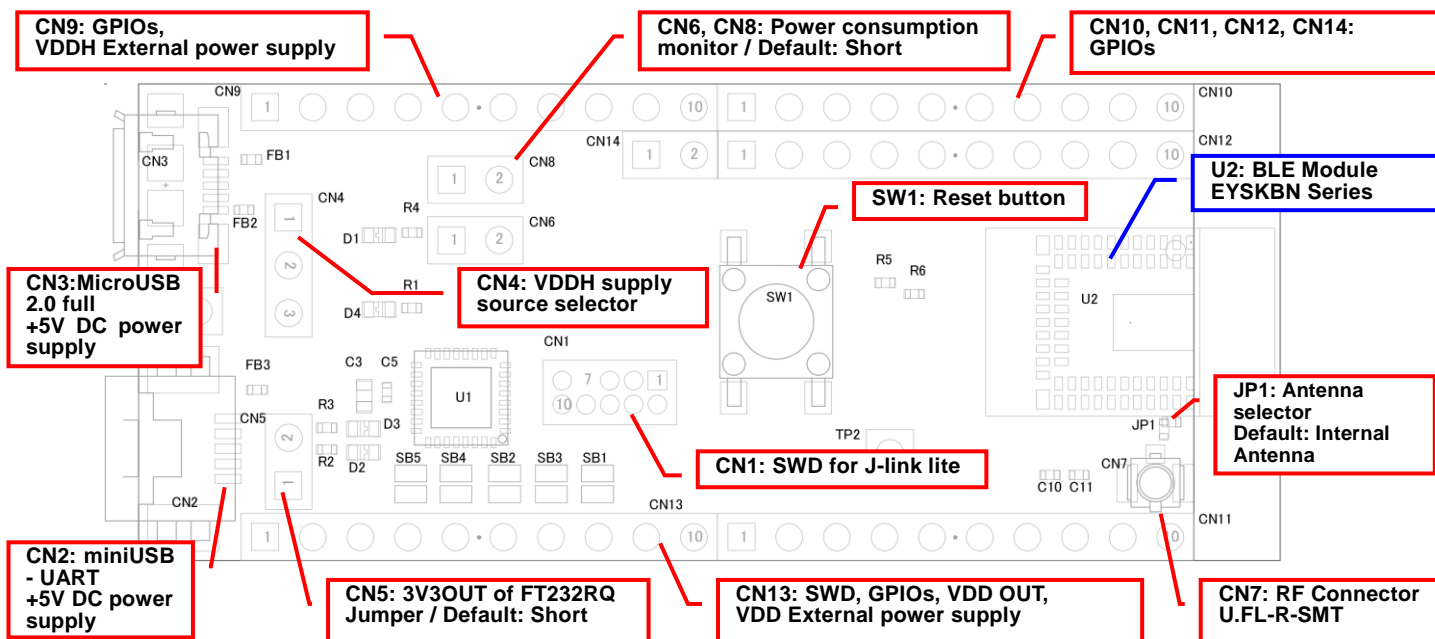
2. ESKKBN



## Evaluation board circuit schematic



## Evaluation board layout



- 1) All pin headers are 2.54mm pitch. And **CN9 - CN14** are on the **2.54mm grid**.
- 2) Many parts are not mounted. Please refer to (N.M.) in the circuit schematic.
- 3) **D1 (LED)**: VDDH Indicator, **D4(LED)**: VDDL(VCC\_NRF) Indicator
- 4) **D2 (LED)**: UART TX Indicator
- 5) **D3 (LED)**: UART RX Indicator
- 6) **SW1 (Push button)**: Module Reset (active low)



# EBSKBN, EKSKBN

TAIYO YUDEN CO., LTD.

## How to use

It is very easy just to tie this board to the PC with a USB cable. It is not necessary to change the setting of the board. The power supply of the module supplies by default 3.3V from 3V3OUT of FT232RQ.

## For software development

Nordic-DK and Use case



microUSB  
miniUSB  
SWD

EBSKBN Series



Nordic  
Master control panel  
etc.



nRF52840-Dongle



- SEGGER Embedded Studio



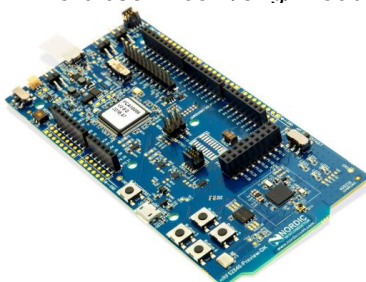
- MDK-ARM Keil uVision5



- etc.

**Nordic-nRF52840 DK**

<http://www.nordicsemi.com/eng/Products/nRF52840>



SWD : Serial Wire Debug

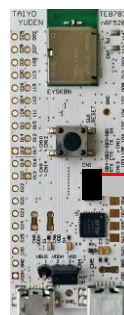
For example, please use J-Link Lite CortexM-9 JTAG/SWD Emulator.

EKSKBNZWZ included



CN1 supports the connection of the 10 pin 1.27mm flat cable.

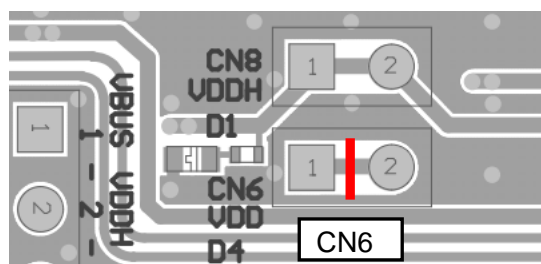
Please be careful about the directions.



## MEMO

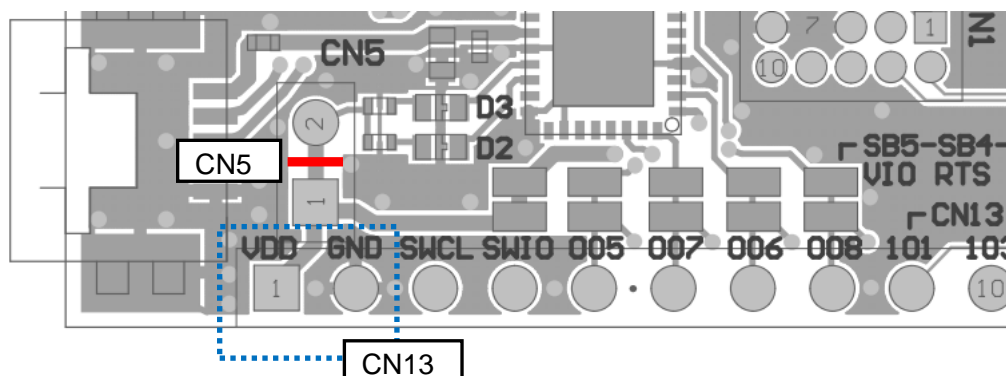
### 1) Current measurement

To measure VDD current, please cut the shorting 1pin and 2 pin of CN6. And connect an ampere-meter between the pins of connector CN6 to monitor the current directly.



### 2) About VDD power supply

When you use external power supply, please supply power from 1pin and 2pin of CN13. On this case, you cut short circuit 1pin and 2pin of CN5 and should separate 3V3OUT of FT232RQ.



### 3) USB to serial UART interface

It needs to install driver of FT232RQ to use USB for UART interface. The drivers are available on FTDI website.

<http://www.ftdichip.com/Drivers/D2XX.htm>

In addition, by the application development, please assign GPIO as follows.

GPIO	UART
P0.05	RTS
P0.06	TX
P0.07	CTS
P0.08	RX

