

EB858

5.08mm SPACING, CAGE CLAMP MINI BLOCK

TECHNICAL DATA

MECHANICAL

Torque:

5 lbs-in. Max.

Operating Temperature:

-33°C to +120°C

-27°F to +248F

Soldering Temperature:

260°C, 500°F for 5 seconds max

MATERIAL

Contact Block:

Brass, Tin Plated

Contact Solder Pin:

Brass, Tin Plated

Screw:

M3, Steel, Zinc Plated

Insulator body:

PBT, UL 94V-0, Black

ELECTRICAL

Voltage rating:

300VAC

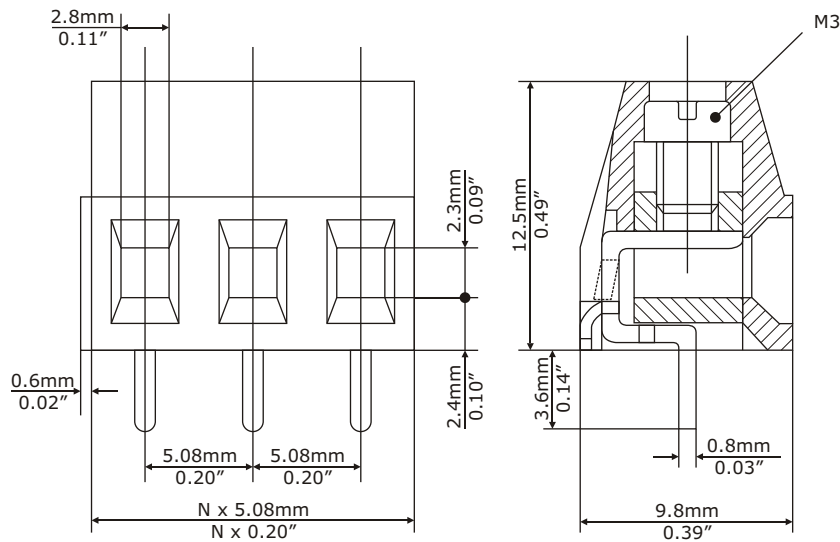
Current rating:

15 Amps

Wire range:

14-22AWG

DIMENSIONAL REFERENCE



Safety Approval:



PART NUMBERING

EB858-XX

NUMBER OF
POSITIONS
24 Maximum

RECOMMENDED P.C.B. HOLE SIZE: 1.3mm (0.05")

N = Number of contacts

If you require marking or printing on your parts, contact EB Y - we can provide blocks to your exact specifications.

EBY Electro, Inc.

210 Express Street
Plainview, NY 11803-2423 USA

© Copyright 2003 EBY Electro, Inc.



Electro-Mechanical Components Since 1945

www.ebyelectro.com

Email: info@ebyelectro.com

Tel: 516.576.7777 · Fax: 516.576.1414