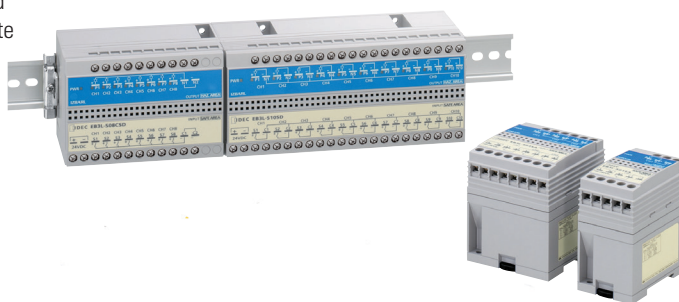


### EB3L Discrete Output Barriers

126 types of pilot lights and buzzers can be connected. Illuminated pushbuttons and illuminated selector switches can be connected by combining with the EB3C discrete input barrier. No grounding required.

**Key features:**

Ratings	
Discrete Output Barrier	[Exia] II C
Pilot Light (separate wiring)	Exia II CT6
Pilot Light (common wiring)	Exia II CT4
Illuminated Pushbutton	Exia II CT4
Illuminated Selector Switch	Exia II CT4
Buzzer (separate wiring)	Exiab II CT6



- IEC60079 compliant
- Compact and lightweight
- 8- and 16-channel types are available in common wiring types, ideal for connection to PLCs. 16-circuit types are also available with a connector.
- Universal AC power voltage (100 to 240V AC or 24V DC power [UL rating: 100 ~ 120V AC])
- No grounding required
- IDEC's original spring-up terminal minimizes wiring time.
- Installation, 35-mm-wide DIN rail mounting or direct screw mounting
- ø6, ø8, ø10, ø22 and ø30 pilot lights available
- Illuminated pushbuttons and illuminated selector switches can be connected by combining with the EB3C discrete input barrier. Illumination colors: Amber, blue, green, red, white, and yellow (pushlock turn reset type: red only)
- Continuous and intermittent sound types are available for buzzers (ø30).
- Global usage  
 USA: UL/FM  
 Europe: CE marking  
 Global: IECEx, ATEX  
 Japan: TIIS  
 China: CQST  
 Korea: KCs
- Ship class: NK (Japan), KR (Korea)

**Entity Barrier Parameters**

Ta= 60°C, Um= 250V, (Um=125V UL only), Uo=13.2V, Io= 14.2mA, Po= 46.9mW at each channel  
 Pn-Nn Io=227.2mA, Po= 750mW at max 16 channels Pn-Nn

Io(mA)	14.2	28.4	42.6	56.8	71.0	85.2	99.4	113.6	127.8	142.0	156.2	170.4	184.6	198.8	213.0	227.2	Combined Lo(mH)
Po(mW)	46.9	93.8	140.6	187.5	234.3	281.2	328.1	375.9	421.8	468.7	515.5	562.4	609.2	656.1	702.9	750	1.0
Co(µF)	0.67	0.65	0.63	0.61	0.59	0.57	0.55	0.53	0.51	0.49	0.47	0.44	0.42	0.39	-	-	0.5
	0.79	0.77	0.76	0.75	0.73	0.72	0.70	0.69	0.67	0.66	0.64	0.62	0.61	0.59	0.57	0.55	0.2
	0.94	0.94	0.94	0.94	0.94	0.94	0.94	0.93	0.92	0.91	0.90	0.88	0.87	0.86	0.85	0.84	0.1
	0.94	0.94	0.94	0.94	0.94	0.94	0.94	0.94	0.94	0.94	0.94	0.94	0.94	0.94	0.94	0.94	0.1

Note 1 Added to above table, the next values combined Lo and Co are allowable;  
 Note 2 The intrinsic safe apparatus and wirings shall be accordance to following formulas; for example:  $U_i \geq U_o$   $I_i \geq I_o$   $P_i \geq P_o$   $C_i + C_c \leq C_o$   $L_i + L_c \leq L_o$   
 \*: Therefore, the values are allowable only at  $L_i \leq 1\%L_o$  and  $C_i \leq 1\%C_o$  of the intrinsic safe apparatus. (In the case of 50% of Co and Lo parameters are applicable, the maximum capacitance allowed shall not be more than  $C_o = 1 \mu F$  for IIB and  $C_o = 600 nF$  for IIC.)

**Common Wiring for PLC Inputs**

8- and 16-circuit types are available in common wiring types, ideal for connection to PLCs (DC voltage only).

**Connector Type**

MIL connector on the non-hazardous side

- Easy connection to PLCs
- Wiring is reduced by 90%
- Various 20-pin MIL connectors can be connected.

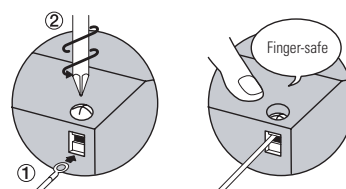


**Illuminated Pushbutton/Selector Switches**

Illuminated pushbutton/selector switches can be used with the combination of EB3C and EB3L.



**Spring-up Fingersafe Terminals Reduce Wiring Time**



TIIS, NK only  
 Ta=60°C, Um=250V

	1 ch Seperate	16 ch Common 16
Uo	13.2V	13.2V
Io	14.2mA	227.2mA
Po	46.9mW	750mW
Co	0.47µF	0.365µF
Lo	87.5mH	0.425mH

IO Touchscreens

PLCs

Automation Software

Power Supplies

Sensors

Communication

Barriers


## Specifications

## Electrical Specifications

Ratings	Intrinsic safety type (IEC compliant) [Exia] II C	
Degree of Protection	IP20 (IEC60529)	
Installation Location	Discrete Output Barrier	Safe indoor place (non-hazardous area)
	Pilot Light, Illuminated Switch,	For zone 0, 1, 2 hazardous areas
	Buzzer	For zone 1 and 2 hazardous areas
Non-intrinsically Safe Circuit Maximum Voltage (Um)	250V AC 50/60Hz, 250V DC UL value: 125V AC	
Operation	Input ON, Output ON (1:1)	

## Certifications

Certification Organization	Ratings	Certification No.
UL	Class I, II, III Div. 1 Group A, B, C, D, E, F, and G Class I, Zone 0 [AExia] II C	E234997
FM	Class I, II, III Div. 1 Group A, B, C, D, E, F, and G Class I, Zone 0 [AExia] II C	3047250
PTB (IEC-Ex)	[Exia] IIC: Gas vapor	IECEX PTB 10.0015
PTB (ATEX)	II(1)G [Exia] IIC: Gas vapor II(1)D [Exia] IIC: Dust	PTB09 ATEX2046
TIIS	Discrete output barrier: [Exia] II C	TC20541
	Pilot light/miniature pilot light: (separate wiring): Exia II CT6	TC16361
	Pilot light/miniature pilot light: (common wiring): Exia II CT4	TC16360
	Illuminated switch: Exia II CT4	TC16362
	Buzzer: Exib II CT6	TC20797
NK	Discrete output barrier: [Exia] II C Buzzer: Exib II CT6	Type Test No. 13T606 pending
CQST	[Exia Ga] IIC	CNEx 14.0047
KCs	Discrete output barrier: [Exia] II C Buzzer: Exib II CT6	KCS14-AV4B0-0375 pending
KR	[Exia] IIC	pending

 Note: Illuminated switches, pilot lights, and miniature pilot lights are certified by TIIS and NK only. Other certification organizations, such as UL, regard these units as simple apparatus, and require no certification.

## General Specifications

Power Voltage Type	AC Power	DC Power
Rated Power Voltage	100 to 240V AC (UL rating: 100 ~ 120V AC)	24V DC
Allowable Voltage Range	85 to 264V AC (UL rating: 85 ~ 125V AC)	21.6 to 26.4V DC
Rated Frequency	50/60 Hz (allowable range: 47 to 63 Hz)	—
Inrush Current	10A (100V AC) 20A (200V AC)	10A
Dielectric Strength (1 minute, 1 mA)	Between intrinsically safe circuit and non-intrinsically safe circuit: 1526.4V AC	
	Between AC power and signal input: 1500V AC	
Operating Temperature	-20 to +60°C (no freezing)	
Storage Temperature	-20 to +60°C (no freezing)	
Operating Humidity	45 to 85% RH (no condensation)	
Atmosphere	800 to 1100 hPa	
Pollution Degree	2 (IEC60664)	
Insulation Resistance	10 MΩ minimum (500V DC megger, between the same poles as the dielectric strength)	
	Panel mounting:	10 to 55 Hz, amplitude 0.75 mm (2 hours each on X, Y, Z)
Vibration Resistance (damage limits)	DIN rail mounting: 10 to 55 Hz, amplitude 0.35 mm (2 hours each on X, Y, Z)	
	Panel mounting:	500 m/s <sup>2</sup> (3 times each on X, Y, Z)
Shock Resistance (damage limits)	DIN rail mounting: 300 m/s <sup>2</sup> (3 times each on X, Y, Z)	
	Terminal Style	
Terminal Style	M3 screw terminal	
Mounting	35-mm-wide DIN rail or panel mounting (M4 screw)	
Power Consumption (approx.)	8.8 VA (EB3L-S10SAN at 200V AC)	
	5.2 W (EB3L-S16CSDN at 24V DC)	

OI Touchscreens

PLCs

Automation Software

Power Supplies

Sensors

Communication

Barriers

Part Numbers

Discrete Output Barriers

Power Voltage	Connection to Non-intrinsically Safe Circuit	Input	Input Wiring Method	Number of Channels	Part Number	Weight (g)
100 to 240V AC (UL rating: 100 ~ 120V AC)	Screw Terminal	Source	Separate/Common Wiring Compatible	1	EB3L-S01SAN	150
				2	EB3L-S02SAN	180
				3	EB3L-S03SAN	190
				5	EB3L-S05SAN	250
				6	EB3L-S06SAN	260
				8	EB3L-S08SAN	330
				10	EB3L-S10SAN	360
				8	EB3L-S08CSAN	260
		Sink	Separate/Common Wiring Compatible	1	EB3L-S01KAN	150
				2	EB3L-S02KAN	180
				3	EB3L-S03KAN	190
				5	EB3L-S05KAN	250
				6	EB3L-S06KAN	260
				8	EB3L-S08KAN	330
				10	EB3L-S10KAN	360
				8	EB3L-S08CKAN	260
24V DC	Screw Terminal	Source	Separate/Common Wiring Compatible	1	EB3L-S01SDN	130
				2	EB3L-S02SDN	160
				3	EB3L-S03SDN	170
				5	EB3L-S05SDN	240
				6	EB3L-S06SDN	250
				8	EB3L-S08SDN	310
				10	EB3L-S10SDN	250
				8	EB3L-S08CSDN	340
		Sink	Separate/Common Wiring Compatible	1	EB3L-S01KDN	130
				2	EB3L-S02KDN	160
				3	EB3L-S03KDN	170
				5	EB3L-S05KDN	240
				6	EB3L-S06KDN	250
				8	EB3L-S08KDN	310
				10	EB3L-S10KDN	340
				8	EB3L-S08CKDN	250
Connector	Source	Common Wiring Only	16	EB3L-S16CSD-CN	350	
			16	EB3L-S16CKD-CN	350	
	Sink	Common Wiring Only	16	EB3L-S16CSD-CN	350	
			16	EB3L-S16CKD-CN	350	

Accessories

Name	Part Number	Description
DIN Rail	BAA1000	Aluminum (1m long, 10.5mm high)
	BAP1000	Steel (1m long, 7.5mm high)
End Clip	BNL6	Medium DIN rail end clip

IO Touchscreens

PLCs

Automation Software

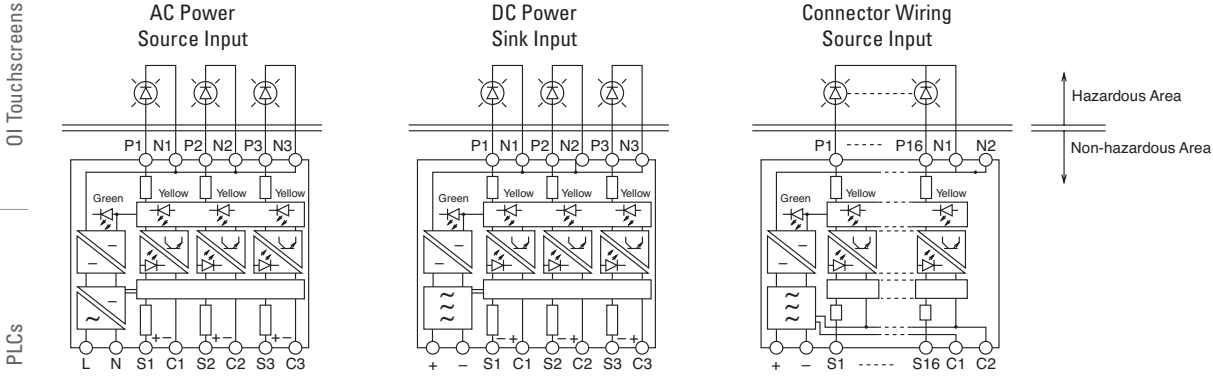
Power Supplies

Sensors

Communication

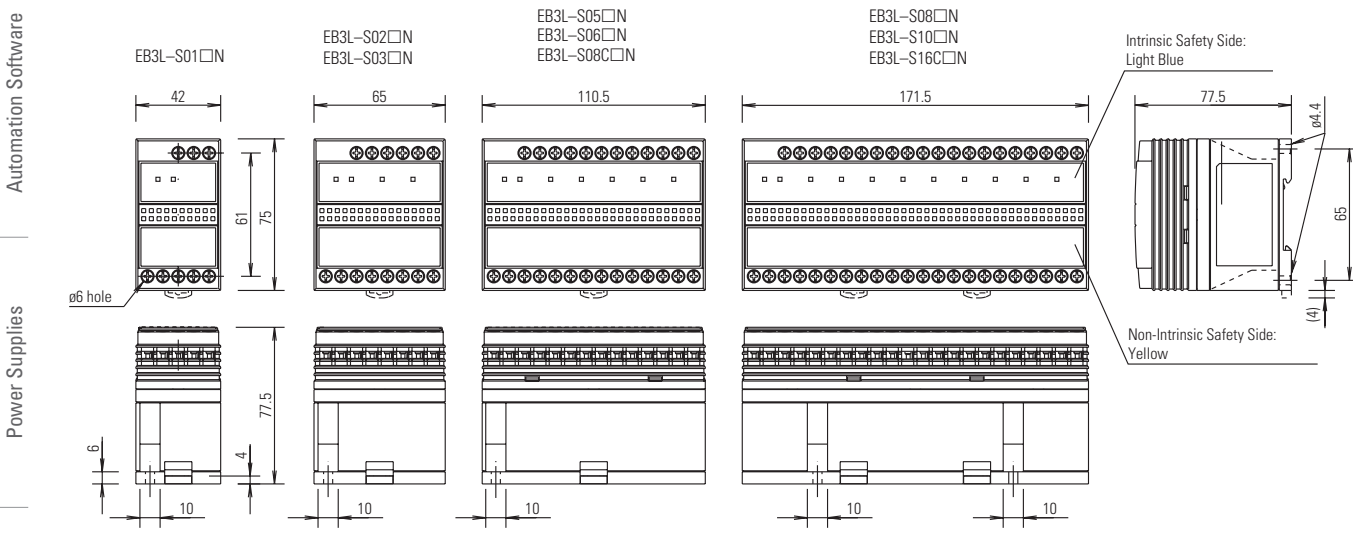
Barriers

Internal Circuit Block Diagram

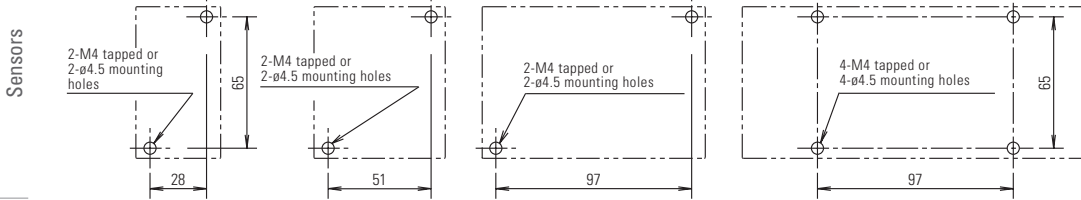


Dimensions (mm)

Terminal



Mounting Hole Layout (Screw Mounting)

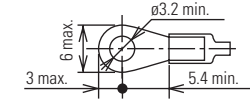
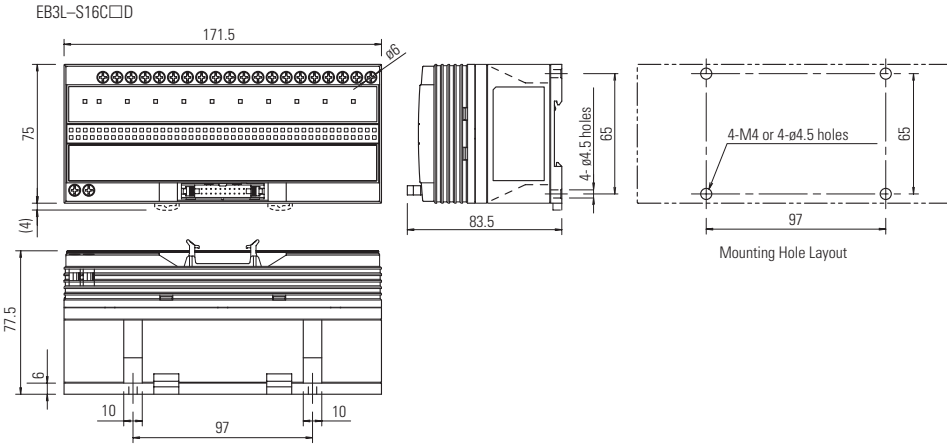


Communication

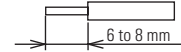
Barriers

Connector

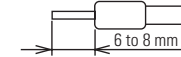
Applicable Crimping Terminal



Solid Wire - Strip wire end

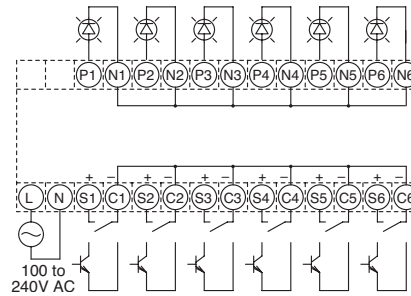


Stranded Wire - use a ferrule

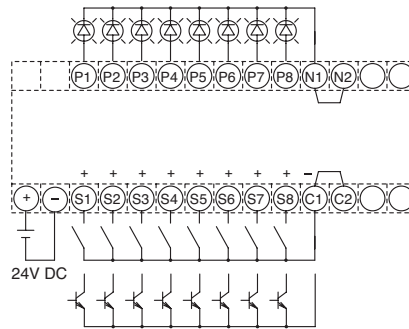


Non-intrinsically Safe External Input Wiring Examples

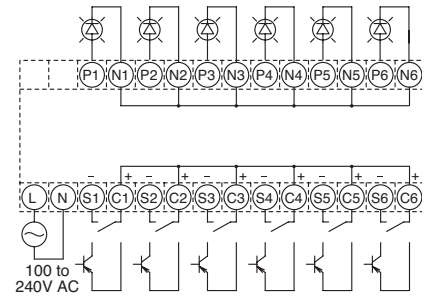
6-channel Source  
(Ex.: EB3L-S06SAN)



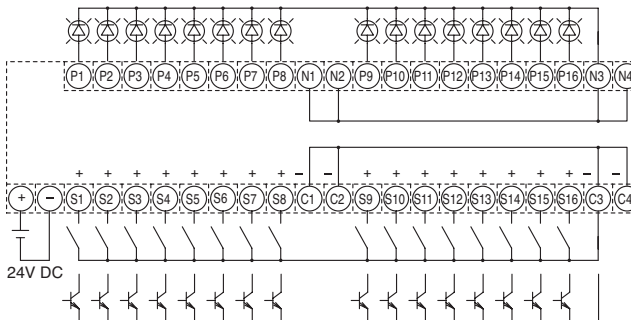
8-channel Common Wiring, Source  
(Ex.: EB3L-S08CSDN)



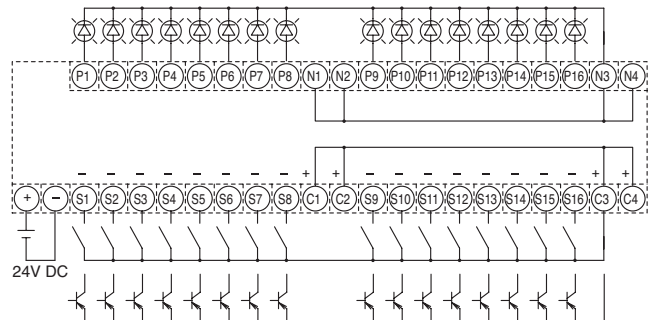
6-channel Sink  
(Ex. EB3L-S06KAN)



16-channel Common Wiring, Source  
(Ex.: EB3L-S16CSDN)



16-channel Common Wiring, Sink  
(Ex.: EB3L-S16CKDN)



Note: Source input type can be connected to PLC sink output type C terminal is the negative common line.

Note: Sink input type can be connected to PLC source output type C terminal is the positive common line.

All dimensions are in mm

OT Touchscreens

PLCs

Automation Software

Power Supplies

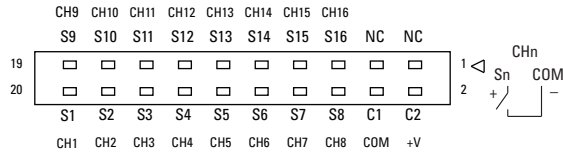
Sensors

Communication

Barriers

Connector Wiring Terminal Arrangement

EB3L-S16CSD-CN



01 Touchscreens

PLCs

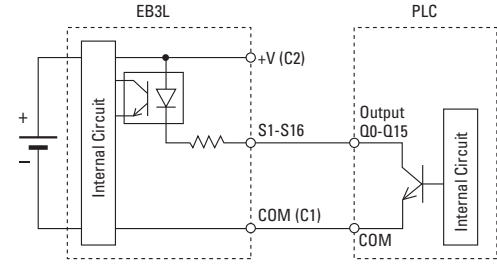
Automation Software

Power Supplies

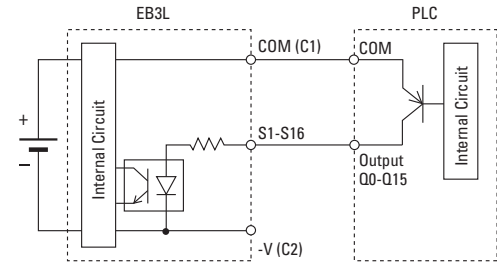
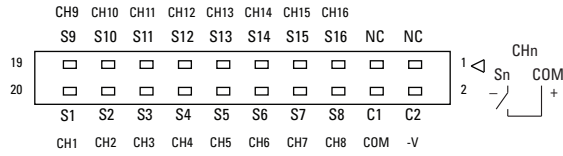
Sensors

Communication

Barriers



EB3L-S16CKD-CN



Wiring Example with IDEC's MicroSmart PLC Output Modules

FC4A-T16K3		EB3L-S16CSD-CN		FC4A-T16S3		EB3L-S16CKD-CN	
Terminal	Output	Input	Terminal	Terminal	Output	Input	Terminal
20	Q0	S1	20	20	Q0	S1	20
19	Q10	S9	19	19	Q10	S9	19
18	Q1	S2	18	18	Q1	S2	18
17	Q11	S10	17	17	Q11	S10	17
16	Q2	S3	16	16	Q2	S3	16
15	Q12	S11	15	15	Q12	S11	15
14	Q3	S4	14	14	Q3	S4	14
13	Q13	S12	13	13	Q13	S12	13
12	Q4	S5	12	12	Q4	S5	12
11	Q14	S13	11	11	Q14	S13	11
10	Q5	S6	10	10	Q5	S6	10
9	Q15	S14	9	9	Q15	S14	9
8	Q6	S7	8	8	Q6	S7	8
7	Q16	S15	7	7	Q16	S15	7
6	Q7	S8	6	6	Q7	S8	6
5	Q17	S16	5	5	Q17	S16	5
4	COM	COM	4	4	COM	COM	4
3	COM	NC	3	3	COM	NC	3
2	+V	+V	2	2	-V	-V	2
1	+V	NC	1	1	-V	NC	1

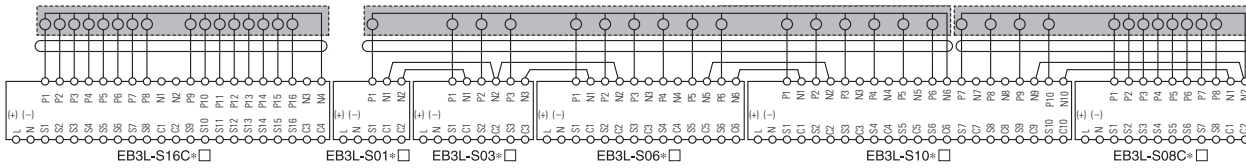


Note: The wiring in dashed line does not affect the operation of the EB3L. Applicable connector is IDEC's JE1S-201. Output power for PLC outputs is supplied by the EB3L, therefore the PLC output does not need an external power supply.

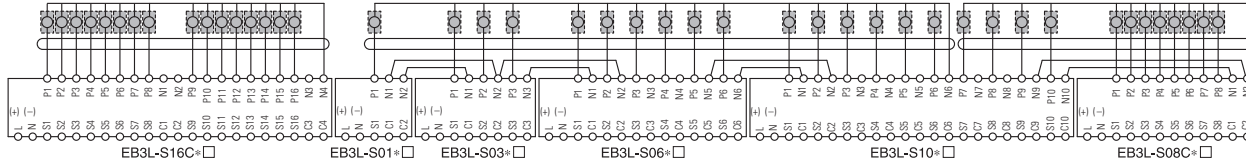
## Wiring Example of Intrinsically Safe External Outputs

### 1. Common Wiring (Maximum 16 circuits) (Buzzers cannot be wired in a common line.)\*

All output lines are wired to a common line inside the intrinsically safe equipment (one common line per intrinsically safe circuit) - DC input models only.

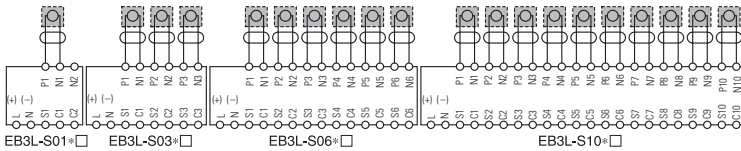


All input lines are wired to a common line outside the intrinsically safe equipment (one common line per intrinsically safe circuit).



### 2. Separate Wiring

Each output line of the EB3L makes up one independent intrinsically safe circuit of a pilot light or buzzer.



When using two or more EB3L's to set up one intrinsically safe circuit in the common wiring configuration, interconnect two neutral terminals (N1 through N10) on each EB3L between adjacent EB3L's in a parallel.

### 3. Wiring Illuminated Pushbuttons and Illuminated Selector Switches

(A maximum of 16 channels of EB3L and EB3C can be wired to a common line.)

The following example illustrates the wiring for a total of 10 contacts used by three illuminated pushbuttons (LB1 to LB3) and three illuminated selector switches (LS1 to LS3).

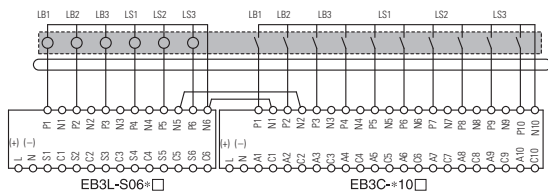
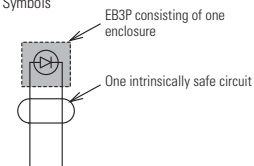


Diagram Symbols

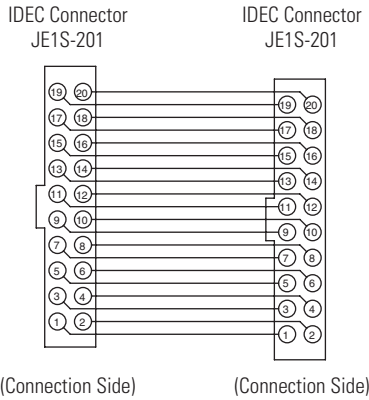


 \*This is permitted under TIS approvals

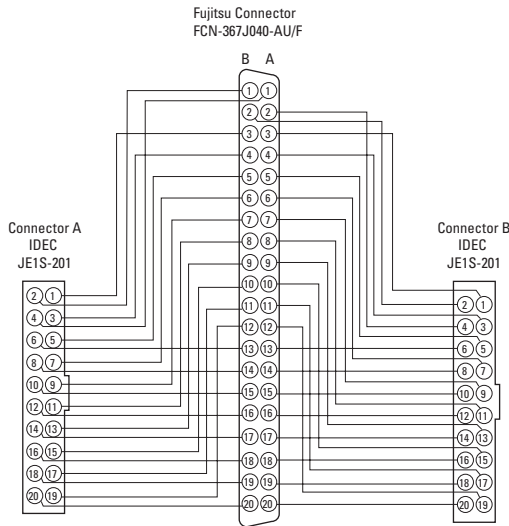
Recommended Connector Cable for Connector Types

Description	No. of Poles	Length (m)	Part Number	Shape	Applicable Type	
I/O Terminal Cable	With Shield	0.5	FC9Z-H050A20		IDEC MicroSmart I/O Module	
		1	FC9Z-H100A20			
		2	FC9Z-H200A20			
	Without Shield	3	FC9Z-H300A20			
		0.5	FC9Z-H050B20			
		1	FC9Z-H100B20			
2	FC9Z-H200B20					
Cable with Crimping Terminal	20	3	FC9Z-H300B20		IDEC MicroSmart I/O Module	
		1	BX9Z-H100E4			
		2	BX9Z-H200E4			
40-pin Cable for PLC	20	3	BX9Z-H300E4		Screw Terminal	
		1	BX9Z-H100B			
		2	BX9Z-H200B			
		3	BX9Z-H300B		Mitsubishi A Series Output Module (sink) ↓ EB3L-S16CSD-CN	

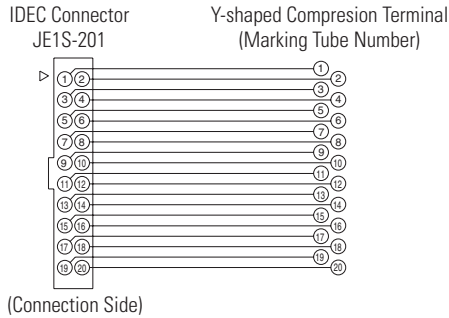
FC9Z-H□□□A, FC9Z-H□□□B Internal Connection



BX9Z-H□□□B Internal Connection



FC9Z-H□□□E4 Internal Connection



OI Touchscreens

PLCs

Automation Software

Power Supplies

Sensors

Communication

Barriers