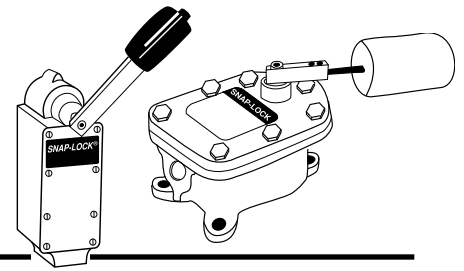


Belt
Misalignment

Limit Switches



Limit Switches

Switches for use on conveyor systems. Standard as well as Hazardous Location versions. One step maintained, two step and two step maintained versions available. Generous overtravel, Snap Action contacts action, Form Z Contact arrangement.

EA700 Cam Action 2 N.O. - 2 N.C.

Standard Mounting Model No.	Wide Mounting Model No.	Long Mounting Model No.	Dir. Of Operation	Angle A Trip Travel	Angle B Reset Travel	Angle C Recom. Travel	Angle D Total Travel	Angle E 2nd Trip Travel	Angle F 2nd Reset Travel	Torque (inch lbs)
ONE STEP-MAINTAINED LEVER AND CONTACTS										
EA700-20137	EA700-50137	EA700-80137	CW/CCW	18°	14°	30°	90°	-	-	27
TWO STEP-MAINTAINED LEVER AND CONTACTS										
EA700-28437	EA700-58437	EA700-88437	CW/CCW	12°	10°	45°	90°	22°	10°	-
TWO STEP-SPRING RETURN										
EA700-20176	EA700-50176	EA700-80176	CW/CCW	12°	10°	45°	90°	22°	10°	-

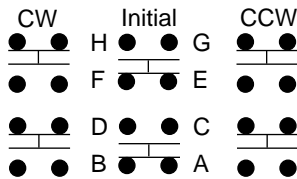
EA800 Cam Action 2 N.O. - 2 N.C.

Bronze Housing	Aluminum Housing	Cast Iron Housing	Dir. Of Operation	Angle A Trip Travel	Angle B Reset Travel	Angle C Recom. Travel	Angle D Total Travel	Angle E 2nd Trip Travel	Angle F 2nd Reset Travel	Torque (inch lbs)
ONE-STEP MAINTAINED LEVER AND CONTACTS										
-	EA800-20157	-	CW/CCW	18°	14°	30°	90°	-	-	27
TWO STEP-SPRING RETURN										
EA800-28440	EA800-28450	-	CW/CCW	12°	10°	45°	90°	22°	10°	-

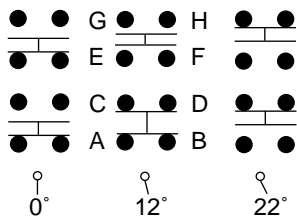
See Operating Levers Section

Contact Configurations

ONE-STEP SWITCH



TWO-STEP SWITCH / BI-DIRECTIONAL OPERATION



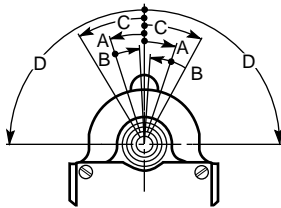
Common Switch Characteristics

DOUBLE POLE, STANDARD/HAZARDOUS LOCATION ENVIRONMENT, BUTT CONTACTS		
	EA700	EA800
NEMA Enclosure Type	1, 4, 13	4, 4X, 6, 6P, 7 Class I, Group C & D, 9 Class II, Group E, F & G
Housing Material	Zinc	Bronze/Aluminum/ Cast Iron
Ambient Temperature Range*	-20°C to +90°C	
Lever Adjustment	7°30' Increments thru 360°	
Contacts	Butt, Silver Alloy, Form Z	

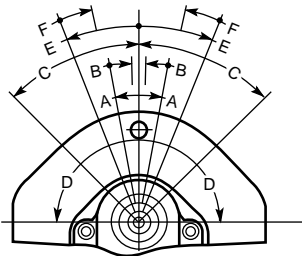
*Some high temperature (0° to 150°C) and low temperature (-40° to +90°C) versions available. Contact factory.

Operational Data Drawing

ONE-STEP SWITCH



TWO-STEP SWITCH



Continuous Current Rating - Amperes

VOLTAGE	AC	DC
125	20.0	5.0
250	15.0	1.5
480	10.0	-
600	5.0	-

75-100% Power Factor

NAMCO

Namco Controls Corporation

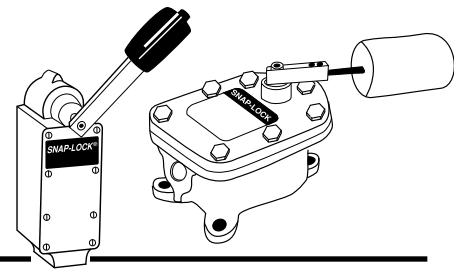
Mayfield Village, OH 44143

(440) 460-1360 • FAX (440) 460-3800 • namcocontrols.com

For technical assistance, call 1-800-NAMTECH

Belt
Misalignment

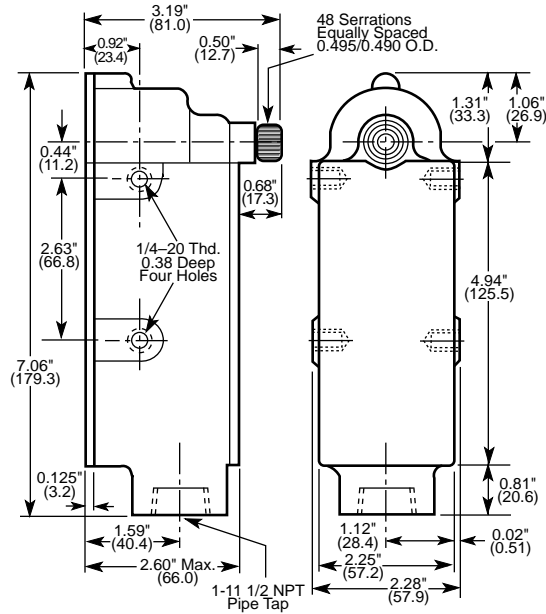
Limit Switches



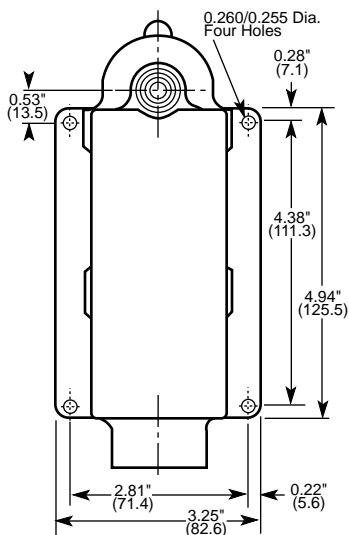
Limit
Switches

EA700 Series Drawings

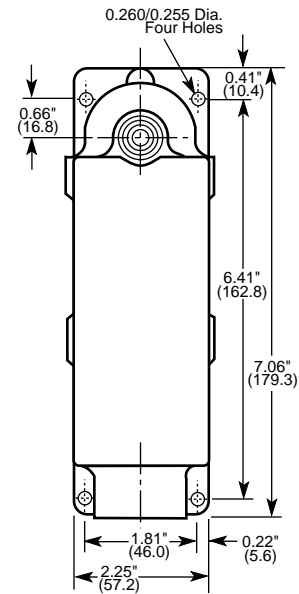
STANDARD MOUNTING PLATE



WIDE MOUNTING PLATE



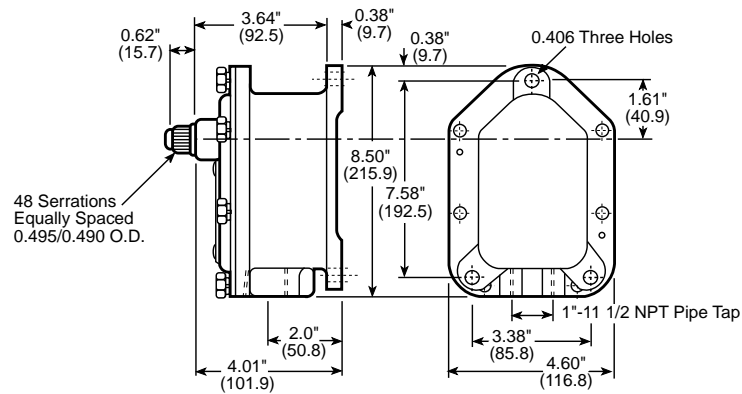
LONG MOUNTING PLATE



Dimensions: inches/(mm)

EA800 Series Drawings

STANDARD MOUNTING PLATE



Dimensions: inches/(mm)

NAMCO

Namco Controls Corporation

Mayfield Village, OH 44143

(440) 460-1360 • FAX (440) 460-3800 • namcocontrols.com

For technical assistance, call 1-800-NAMTECH