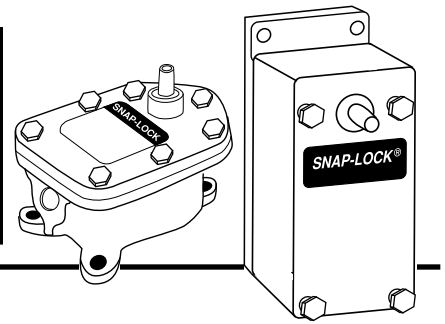


Single, Double and  
Triple Pole  
Hazardous Location

# Limit Switches

# Butt Contacts



Limit Switches

- NEMA Rated for Hazardous Location
- 1 NO-1 NC, 2 NO-2 NC, 3 NO-3 NC
- Bronze, Aluminum or Cast Iron Housing
- Generous Overtravel-EA800 Series
- Heavy Duty Cam Operated-EA800 Series
- Heavy Duty Rocker Type-EA880 Series
- Flexibility of Motion, CW and CCW
- Ample Wiring Space

**Service Conditions** - The Series EA800/EA880 hazardous location limit switches operate dependably where gases, vapors, and dusts are potential explosion hazards. The switch bodies resist corrosion.

**Rugged Construction** - Approved spark-proof bronze, aluminum, or cast-iron housings can withstand internal and external gas explosions. Silver alloy butt contact arrangement is standard. Wiring space is ample for up to size 12 wire.

**Proven Performance** - Cycle life is in the millions, when operated at rated current, voltage, and temperature. Standard switches have maximum ambient temperature ratings of 90°C continuous. Switches can be specially ordered with either -40°C or + 150°C capabilities.

**Levers Available** - A variety of levers for hazardous location limit switches can be ordered from Namco Controls Series EL.

NOTE: Only non-sparking levers should be used in hazardous locations.

Not all models are UL approved.

## EA800 Single Pole 1 N.O. - 1 N.C. / Butt Contacts / Cam Action

Bronze Housing	Aluminum Housing	Cast Iron Housing	Dir. Of Operation	Angle A Trip Travel	Angle B Reset Travel	Angle C Recom. Travel	Angle D Total Travel	Angle E Min. Travel to Maintain	Angle F Overall Travel	Torque (inch lbs)	Contact Config.
<b>STANDARD TRAVEL</b>											
EA800-10040	EA800-10050	-	CW	18°	14°	30°	90°	-	-	15	A
EA800-10041	EA800-10051	-	CCW	18°	14°	30°	90°	-	-	15	B
EA800-10140	EA800-10150	-	CW/CCW	18°	14°	30°	90°	-	-	15	C

## EA800 Double Pole 2 N.O. - 2 N.C. / Butt Contacts / Cam Action

Bronze Housing	Aluminum Housing	Cast Iron Housing	Dir. Of Operation	Angle A Trip Travel	Angle B Reset Travel	Angle C Recom. Travel	Angle D Total Travel	Angle E Min. Travel to Maintain	Angle F Overall Travel	Torque (inch lbs)	Contact Config.
<b>STANDARD TRAVEL</b>											
EA800-20040	EA800-20050	-	CW	18°	14°	30°	90°	-	-	27	D
EA800-20041	EA800-20051	-	CCW	18°	14°	30°	90°	-	-	27	E
EA800-20140	EA800-20150	-	CW/CCW	18°	14°	30°	90°	-	-	27	F

## EA800 Triple Pole 3 N.O. - 3 N.C. / Butt Contacts / Cam Action

Bronze Housing	Aluminum Housing	Cast Iron Housing	Dir. Of Operation	Angle A Trip Travel	Angle B Reset Travel	Angle C Recom. Travel	Angle D Total Travel	Angle E Min. Travel to Maintain	Angle F Overall Travel	Torque (inch lbs)	Contact Config.
<b>STANDARD TRAVEL</b>											
EA800-30040	EA800-30050	-	CW	18°	14°	30°	90°	-	-	33	G
EA800-30041	EA800-30051	-	CCW	18°	14°	30°	90°	-	-	33	H
EA800-30140	EA800-30150	-	CW/CCW	18°	14°	30°	90°	-	-	33	I

See Operating Levers Section

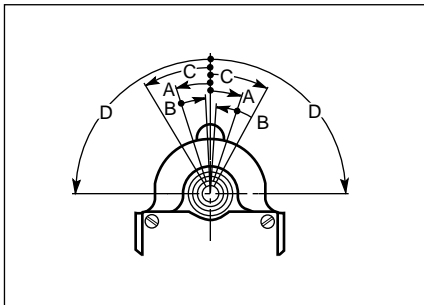
## EA880 Single Pole 1 N.O. - 1 N.C. / Butt Contacts / Rocker Type

Aluminum Housing	Description	Temperature Range	Dir. Of Operation	NEMA Type 4	Angle A Trip Travel	Angle B Reset Travel	Angle C Recom. Travel	Angle D Total Travel	Torque (inch lbs)	Contact Config.
<b>STANDARD TRAVEL</b>										
EA880-11100	Standard	-20C to +90C	CW	No	10°	8°	13°	38°	13	A
EA880-11500	Watertight	-20C to +90C	CW	Yes	10°	8°	13°	38°	13	A
EA880-11700	Watertight	-40C to +90C	CW	Yes	10°	8°	13°	38°	13	A
EA880-12100	Standard	-20C to +90C	CCW	No	10°	8°	13°	38°	13	J
EA880-12500	Watertight	-20C to +90C	CCW	Yes	10°	8°	13°	38°	13	J
EA880-12700	Watertight	-40C to +90C	CCW	Yes	10°	8°	13°	38°	13	J
<b>MAINTAINED</b>										
EA880-13100	Standard	-20C to +90C	CW/CCW	No	10°	-	-	38°	5	-
EA880-13500	Watertight	-20C to +90C	CW/CCW	Yes	10°	-	-	38°	5	-
EA880-13700	Watertight	-40C to +90C	CW/CCW	Yes	10°	-	-	38°	5	-
<b>NEUTRAL POSITION</b>										
EA880-17100	Standard	-20C to +90C	CW/CCW	No	7°	6°	7°30'	33°	22	K
EA880-17500	Watertight	-20C to +90C	CW/CCW	No	7°	6°	7°30'	33°	22	K
EA880-17700	Watertight	-40C to +90C	CW/CCW	No	7°	6°	7°30'	33°	22	K

Limit Switches

Bronze Housing	Description	Temperature Range	Dir. Of Operation	NEMA Type 4	Angle A Trip Travel	Angle B Reset Travel	Angle C Recom. Travel	Angle D Total Travel	Torque (inch lbs)	Contact Config.
<b>MAINTAINED</b>										
EA880-13200	Standard	-20C to +90C	CW/CCW	No	10°	-	-	38°	5	-
EA880-13600	Watertight	-20C to +90C	CW/CCW	Yes	10°	-	-	38°	5	-

### Operational Data Drawing



# NAMCO

Namco Controls Corporation

Mayfield Village, OH 44143

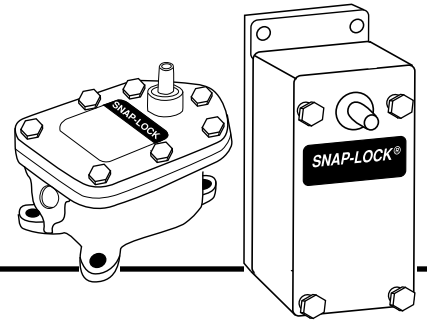
(440) 460-1360 • FAX (440) 460-3800 • [namcocontrols.com](http://namcocontrols.com)

For technical assistance, call 1-800-NAMTECH

Single, Double and  
Triple Pole  
Hazardous Location

Limit  
Switches

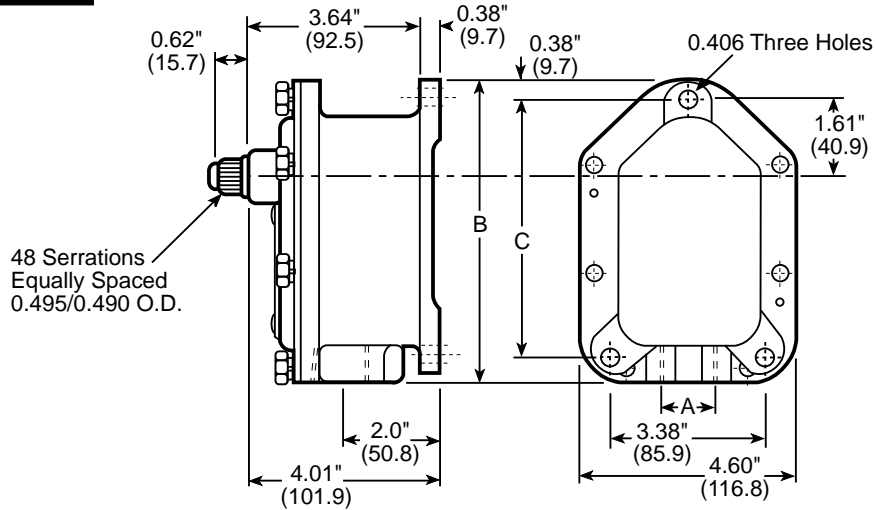
Butt  
Contacts



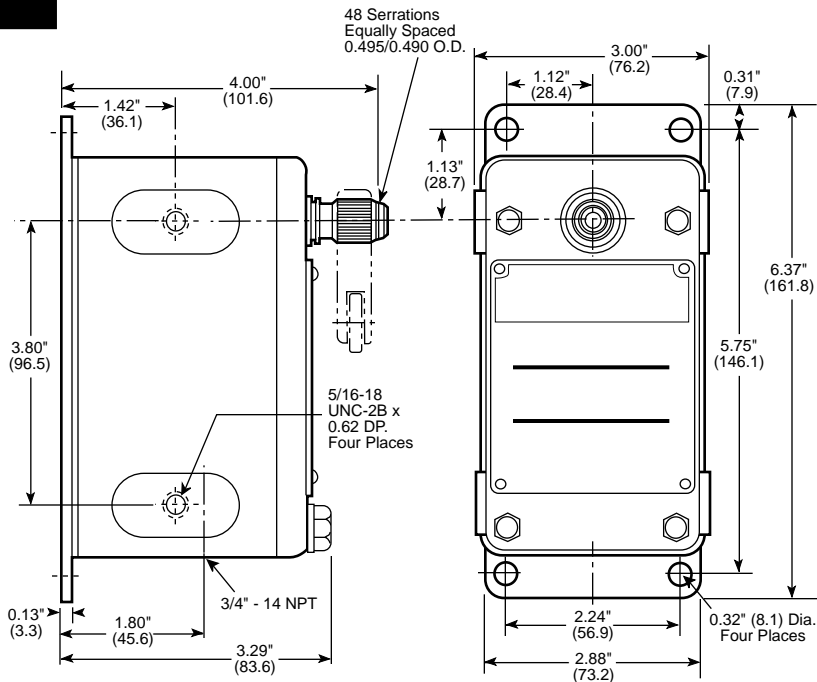
Limit  
Switches

EA800/880 Series Drawings

EA800 HAZARDOUS LOCATION



EA880 ROCKER

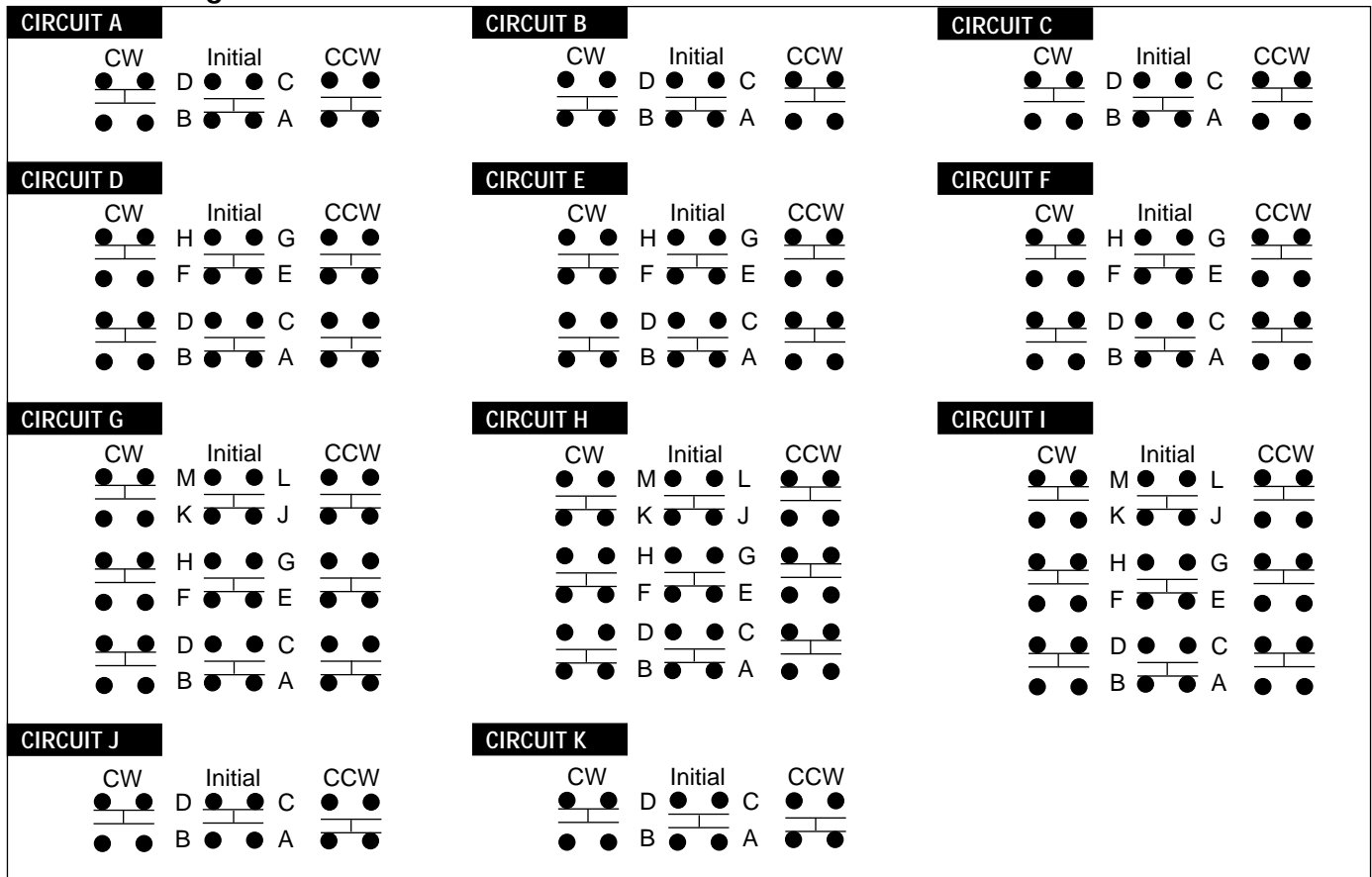


Not to Scale

Dimensions: inches/(mm)

Switch Type	Conduit Opening NPT A	Total Height B	Mounting Height C
EA800-1	3/4"-14	6.47" (164.3)	5.42" (137.7)
EA800-2	1"-11 1/2	8.50" (215.9)	7.58" (192.5)
EA800-3	1 1/4"-11 1/2	10.56" (268.2)	9.67" (245.6)

## Contact Configurations



Limit Switches

## Common Switch Characteristics

SINGLE, DOUBLE & TRIPLE POLE, HAZARDOUS LOCATION, BUTT CONTACTS		
	EA800	EA880
NEMA Enclosure Type	4, 4X, 6, 6P, 7 Class I, Group C & D, 9 Class II, Group E, F & G	7 Class I, Group C & D, 9 Class II, Group E, F & G (Some 4, see p/n chart)
Housing Material	Bronze/Aluminum/ Cast Iron (See p/n chart)	Bronze/Aluminum
Ambient Temperature Range*	-20°C to +90°C	
Shipping Weight	EA800-1: Al-6 lbs. Brz-12 lbs.  EA800-2: Al-7 lbs. Brz-16 lbs.  EA800-3: Al-8 lbs. Brz-19 lbs.	Aluminum: 5 lbs. Bronze: 8 lbs.
Lever Adjustment	7°30' Increments thru 360°	
Contacts	Butt, Silver Alloy, Form Z	

\*Some high and low temperature versions available. For EA880, see p/n chart. For EA800, contact factory.

## Continuous Current Rating - Amperes

VOLTAGE	AC	DC
125	20.0	5.0
250	15.0	1.5
480	10.0	-
600	5.0	-

75-100% Power Factor

# NAMCO

Namco Controls Corporation  
Mayfield Village, OH 44143

(440) 460-1360 • FAX (440) 460-3800 • namcocontrols.com

For technical assistance, call 1-800-NAMTECH