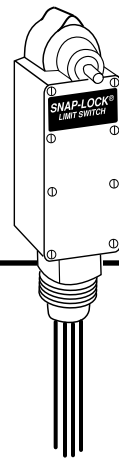


**Double Pole  
Standard Environment  
(Super Sealed)**

**Limit  
Switches**

**Butt  
Contacts**



Limit Switches

- Multiple Contacts - DPDT
- Epoxy Sealed
- Generous Overtravel
- Heavy Duty Cam Operated
- Flexibility of Motion CW & CCW

Wide Range of Operation...Modular Construction...Practical Flexibility

The Series EA770 Super Sealed Water & Oil Tight Snap-Lock Limit Switches are the "ultimate" of the industry. By incorporating the moisture seal with these switches, trouble caused by water, soluble oils or condensate interfering with switching mechanism

has been eliminated. The scope of models is tailored to meet today's rugged requirements...there is a model of size and type to meet virtually all demands.

Besides covering all functional requirements this line is designed to meet practically every condition of installation. These Snap-Lock Switches provide reliable "machine-life" service and have the stamina to operate under unusual conditions...at the same time giving millions of consistently fast, accurate contacts.

Here are a few of the outstanding features built into the switch for maximum performance. Generous overtravel and by-pass; Flexibility of motion, clockwise and counterclockwise; Light operating torque; Fast contact action; and Form Z contact arrangement.

**Options Available**

- Low temperature (-40°C to + 90°C) components and lubricants.
- A variety of levers can be ordered from Namco Controls Series EL. NOTE: Levers must be ordered as separate items.
- Basic design permits mounting from either side or back. Style L or W mounting plates, for back mounting, available at no extra cost.

**EA770 Double Pole 2 N.O. - 2 N.C. / Butt Contacts / Cam Action**

| Standard Mounting Model No. | Wide Mounting Model No. | Long Mounting Model No. | Dir. Of Operation | Angle A Trip Travel | Angle B Reset Travel | Angle C Recom. Travel | Angle D Total Travel | Angle E Min. Travel to Maintain | Angle F Overall Travel | Torque (inch lbs) | Contact Config. |
|-----------------------------|-------------------------|-------------------------|-------------------|---------------------|----------------------|-----------------------|----------------------|---------------------------------|------------------------|-------------------|-----------------|
| <b>STANDARD TRAVEL</b>      |                         |                         |                   |                     |                      |                       |                      |                                 |                        |                   |                 |
| EA770-20000                 | EA770-50000             | EA770-80000             | CW                | 18°                 | 14°                  | 30°                   | 90°                  | -                               | -                      | 27                | A               |
| EA770-20001                 | EA770-50001             | EA770-80001             | CCW               | 18°                 | 14°                  | 30°                   | 90°                  | -                               | -                      | 27                | B               |
| EA770-20100                 | EA770-50100             | EA770-80100             | CW/CCW            | 18°                 | 14°                  | 30°                   | 90°                  | -                               | -                      | 27                | C               |

**Common Switch Characteristics**

| <b>DOUBLE POLE, STANDARD (SUPER SEALED) ENVIRONMENT, BUTT CONTACTS</b> |  |
|--|--|
| NEMA Enclosure Type  | 1, 4, 6, 13                                |
| Housing Material   | Zinc                                       |
| Ambient Temperature Range*   | -20°C to +90°C                             |
| Shipping Weight  | 4 lbs. approx.                             |
| Lever Adjustment   | 7°30' Increments Thru 360°                 |
| Contacts   | Butt, Silver Alloy, Form Z                 |
| Lead Wires**   | 8 lead wires, part no. shown is for 15 ft. |

\*Some low temperature (-40 to +90°C) versions available. Contact factory.  
\*\*Available in increments of 5 ft. Contact factory.

**Continuous Current Rating - Amperes**

| VOLTAGE | AC   | DC  |
|---------|------|-----|
| 125     | 20.0 | 5.0 |
| 250     | 15.0 | 1.5 |
| 480     | 10.0 | -   |
| 600     | 5.0  | -   |

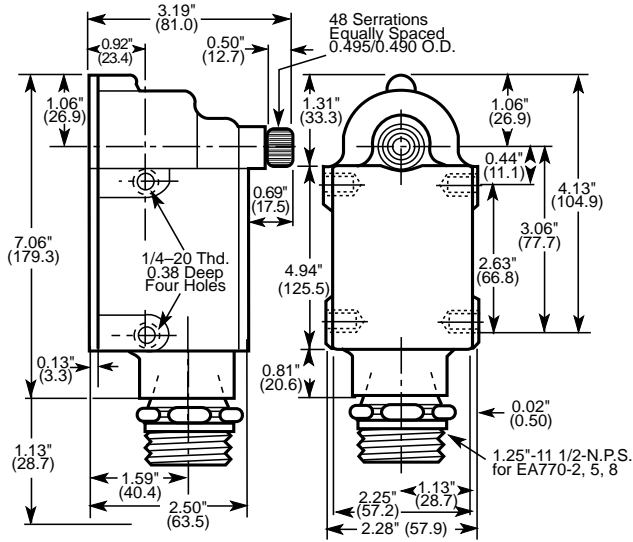
75-100% Power Factor

**See Operating Levers Section**

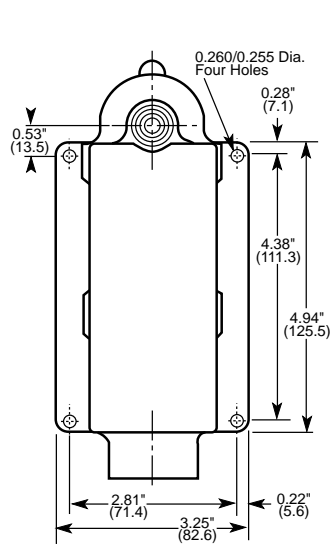
# Dimensions and Mounting

# EA770

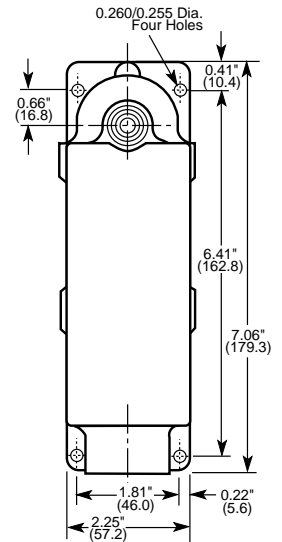
## STANDARD MOUNTING PLATE



## WIDE MOUNTING PLATE



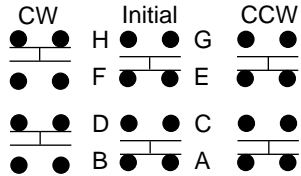
## LONG MOUNTING PLATE



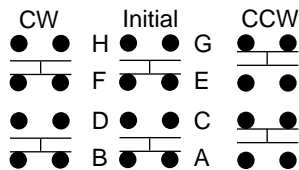
Limit Switches

## Contact Configurations

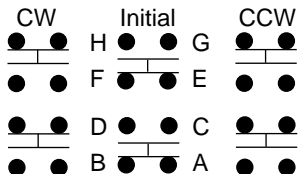
### CIRCUIT A



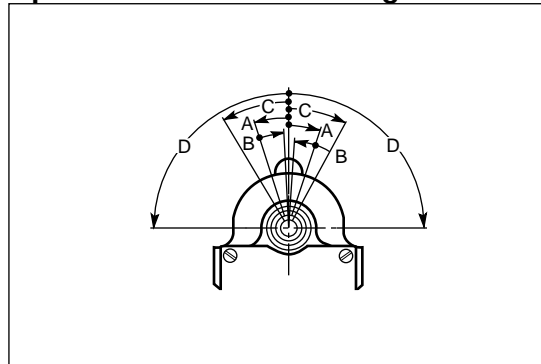
### CIRCUIT B



### CIRCUIT C



## Operational Data Drawing



# NAMCO

Namco Controls Corporation

Mayfield Village, OH 44143

(440) 460-1360 • FAX (440) 460-3800 • namcocontrols.com

For technical assistance, call 1-800-NAMTECH