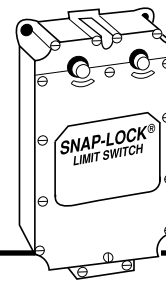


Multi  
Station

# Limit Switches

# Butt Contacts



Limit Switches

The Multiple Station Switch now makes it possible to incorporate from two to four EA700 Namco Series Snap-Lock Limit Switches into a single assembly. Here's a unit that can be adapted to most any application where individual limit switches are mounted side by side. This single assembly reduces installation time, cuts wiring costs and presents a more compact

appearance than individually mounted switches. Furthermore, you can now perform an almost unlimited number of switching functions within a single enclosure by combining the Single Action type switches.

## EA760 1 N.O. - 1 N.C. / Butt Contacts / Cam Action

Part Number	Station 1	Station 2	Station 3	Station 4	Conduit Diameter**	Angle A Trip Travel	Angle B Reset Travel	Angle C Recom. Travel	Angle D Total Travel	Contact Configuration	Conduit Location	Torque (inch/lbs)
<b>STANDARD TRAVEL / 2 STATION</b>												
EA760-10000*	CW	CW	-	-	1.50"-11.50 N.P.T.	18°	14°	30°	90°	B	Bottom	33
EA760-10001*	CCW	CCW	-	-	1.50"-11.50 N.P.T.	18°	14°	30°	90°	B	Bottom	33
EA760-10005	CCW	CW	-	-	0.75"	13°	10°	30°	90°	A	Left	16.5
<b>STANDARD TRAVEL / 4 STATION</b>												
EA760-00265	CW	CW	CW	CCW	1.00"	18°	14°	30°	90°	A	Left	15
EA760-00445	CCW	CW	CCW	CCW	1"-11.50 NPT	13°	10°	30°	90°	A	L & R	16.5
EA760-00455	CW	CW	CCW	CW	1"-11.50 NPT	13°	10°	30°	90°	A	L & R	16.5
EA760-30002	CW	CW	CCW	CCW	1.716"	18°	14°	30°	90°	A	Left	15
EA760-30003	CW	CW	CCW	CCW	1.38"	18°	14°	30°	90°	A	Left	15
EA760-30004	CW	CW	CCW	CCW	1.38"	18°	14°	30°	90°	A	Right	15
EA760-30006	CW	CW	CCW	CCW	1"-11.50 NPT	13°	10°	30°	90°	A	L & R	16.5

\* All switch stations are single pole except EA760-10000 and EA760-10001, which are 3 pole.

\*\* Non-threaded, smooth-hole type, except "N.P.T."

## Common Switch Characteristics

MULTI-STATION, SINGLE POLE, STANDARD ENVIRONMENT, BUTT CONTACTS	
NEMA Enclosure Type	1
Housing Material	Aluminum
Ambient Temperature Range***	-20°C to +90°C
Lever Adjustment	7°30' Increments Thru 360°
Contacts	Butt, Silver Alloy, Form Z

\*\*\* EA760-10000 and -10001 rated +20°C to +180°C  
EA760-00445, EA760-00455 and EA760-30006 rated 0°C to +150°C

## Continuous Current Rating - Amperes

VOLTAGE	AC	DC
125	20.0	5.0
250	15.0	1.5
480	10.0	-
600	5.0	-

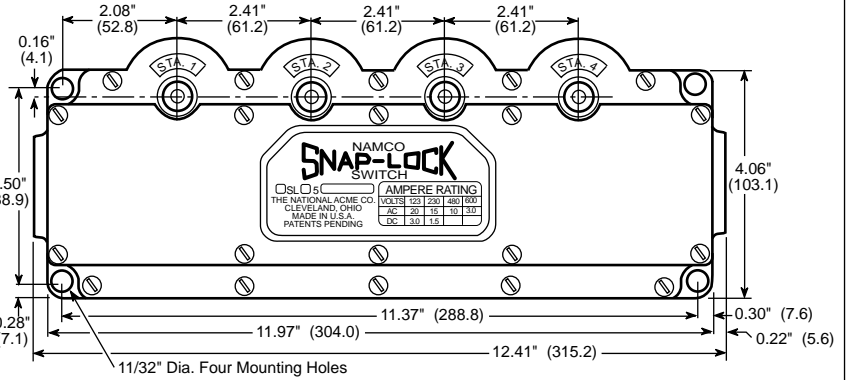
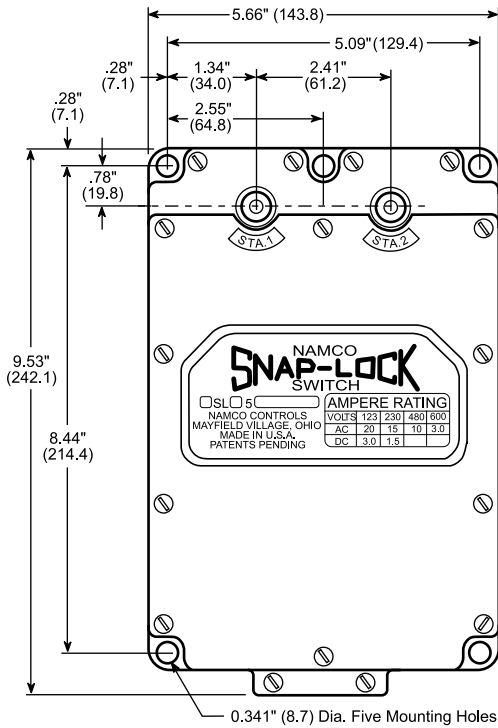
75-100% Power Factor

**See Operating Levers Section**

**TWO STATION - THREE POLE**

**FOUR STATION - SINGLE POLE**

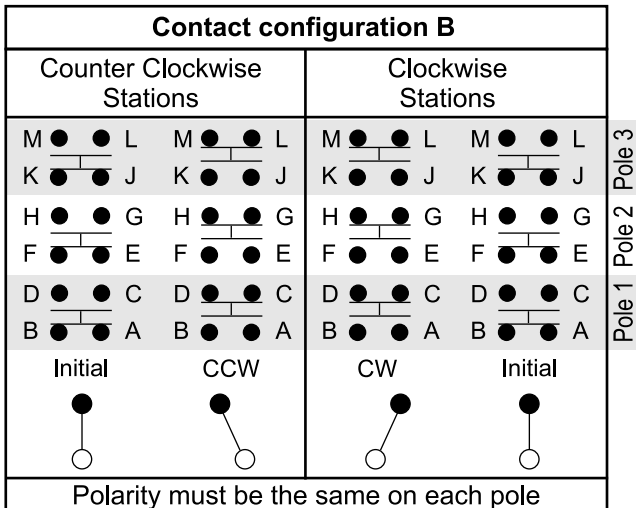
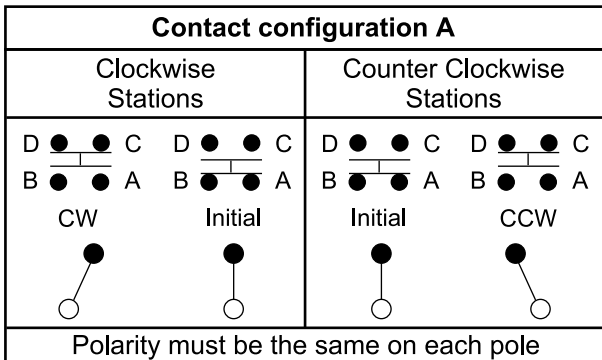
See table on opposite page for location, diameter, and type.



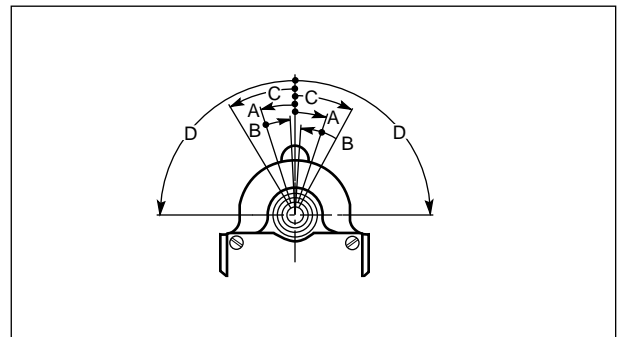
Dimensions: inches/(mm)

Limit Switches

Contact Configurations



Operational Data Drawing



Namco Controls Corporation  
 Mayfield Village, OH 44143  
 (440) 460-1360 • FAX (440) 460-3800 • namcocontrols.com

For technical assistance, call 1-800-NAMTECH