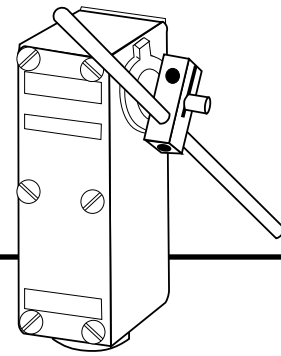


Super  
Sensitive

# Limit Switches

# Butt Contacts



Limit Switches

Designed for sensing small, lightweight objects. Rotary units are gravity return and have 360° total travel either clockwise or counterclockwise. Trip torques range from 1.5 to 7 inch-ounces. Oscillating units are spring return versions with 15 inch-ounce trip torque.

Outputs include SPDT (1 NO and 1 NC) and DPDT (2 NO and 2 NC). Output indicator lights are optional.

Ideal for fill detection on vibratory feeder bowls, small parts sensing or counting, gauging devices, time delay mechanisms, safety interlock switch applications, liquid level control and governors.

## EA150 1 N.O. - 1 N.C. & 2 N.O. - 2 N.C / Super Sensitive / Butt Contacts

Model Number	Description	Dir. of Operation	Travel to Make or Break Contacts	Torque Inch Oz	Over Travel	Total Travel
<b>OSCILLATING TYPE (INCLUDES 1/8" X 10" STEEL ROD UNLESS NOTED OTHERWISE)</b>						
EA150-10013	Standard Unit 1 N.O. 1 N.C.	CW/CCW	Adjustable (4° - 90°)	15	Adj. to 86°	180°
EA150-10313	Standard Unit with L.E.D. Top Cover	CW/CCW	Adjustable (4° - 90°)	15	Adj. to 86°	180°
EA150-10173	Standard Unit with 1/8" x 10" Fiber Rod	CW/CCW	Adjustable (4° - 90°)	15	Adj. to 86°	180°
EA150-10083	Standard Unit with 1/4" x 9" Steel Rod	CW/CCW	Adjustable (4° - 90°)	15	Adj. to 86°	180°
EA150-10093	Same as EA150-10083 with L.E.D. Top Cover	CW/CCW	Adjustable (4° - 90°)	15	Adj. to 86°	180°
EA150-10143	Standard Unit 2 N.O. - 2 N.C.	CW/CCW	Adjustable (4° - 90°)	15	Adj. to 86°	180°
EA150-10343	Standard Unit 2 N.O. - 2 N.C. w/ L.E.D. Top Cover	CW/CCW	Adjustable (4° - 90°)	15	Adj. to 86°	180°
<b>ROTARY TYPE (INCLUDES 1/4" X 9" STEEL ROD UNLESS NOTED OTHERWISE)</b>						
EA150-30014	Standard Unit 1 N.O. - 1N.C.	CW/CCW	4°	5	180°	360°
EA150-30303	Standard Unit with L.E.D. Top Cover	CW/CCW	4°	5	180°	360°
EA150-30283	Standard Unit with 1/4" x 12" Fiber Rod	CW/CCW	4°	5	180°	360°
EA150-30223	Standard Unit with 1/8" x 10" Steel Rod	CW/CCW	4°	5	180°	360°
EA150-30233	Same as EA150-30223 w/ L.E.D. Top Cover	CW/CCW	4°	5	180°	360°
EA150-30396	Standard Unit with LH shaft extension	CW/CCW	4°	5	180°	360°
EA150-30143	Standard Unit 2 N.O. - 2N.C.	CW/CCW	4°	5	180°	360°
EA150-30145	Standard Unit 2 N.O. - 2N.C. w/ L.E.D. Top Cover	CW/CCW	4°	5	180°	360°
EA150-30500	Low Torque, 1 N.O. - 1N.C., 1/4" clamp w/o Rod	CW/CCW	4°	1.5°	180°	360°
EA150-30274	Standard Unit, 1 N.O. - 1 N.C., Double-ended Shaft	CW/CCW	4°	5°	180°	360°
EA150-30275	Standard Unit, 1 N.O. - 1 N.C., Double-ended Shaft w/o Rod and Clamp	CW/CCW	4°	5°	180°	360°

## Spare Lever Clamp Kits\*

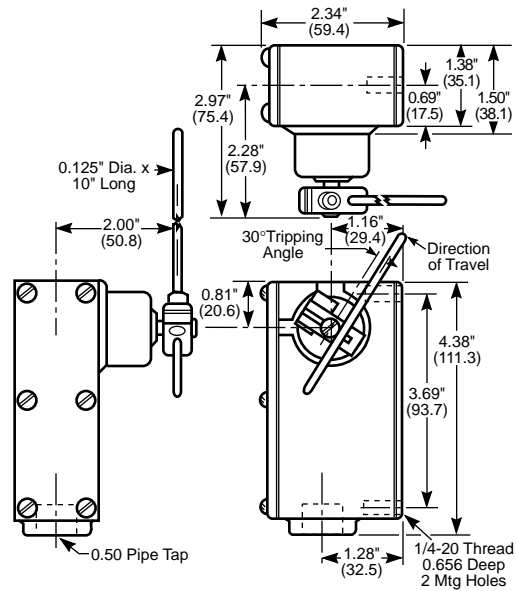
EL140-18900	1/4" x 9" Steel Rod
EL140-18901	1/8" x 10" Steel Rod
EL140-18902	1/4" x 12" Fiber Rod
EL140-18903	1/8" x 10" Fiber Rod

\*contains Rod, Lever Clamp, Lockwasher, Set Screw and Cap Screw

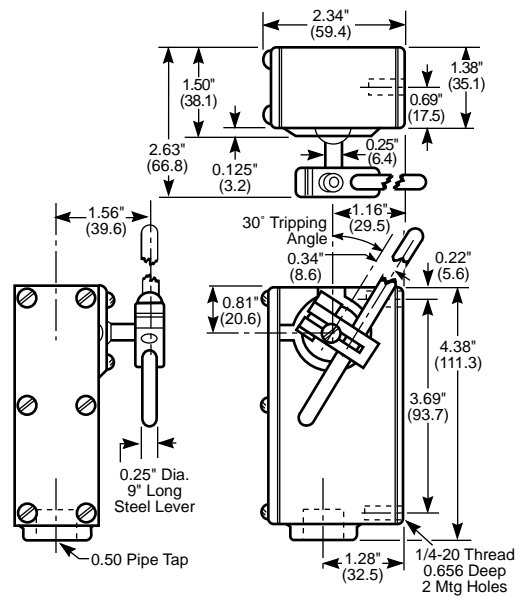
# Dimensions and Mounting

# EA150

## OSCILLATING



## ROTARY



Dimensions: inches/(mm)

Limit Switches

# NAMCO

Namco Controls Corporation  
Mayfield Village, OH 44143

(440) 460-1360 • FAX (440) 460-3800 • namcocontrols.com

For technical assistance, call 1-800-NAMTECH