

Design Features & Performance

Snap-Lock limit switches have separate enclosures within a single housing for the electrical contacts and terminals on one side and latch bars, rockers and other parts of the operating mechanism on the other side.

The snap-lock action ensures a quick-make and quick-break of contacts together with locking in either open or closed position.

These switches are heavy duty, machine tool type with isolated poles, double throw, butt type contacts. Enclosures are water, oil and dust tight and meet NEMA Type 1, 4, and 13 requirements.

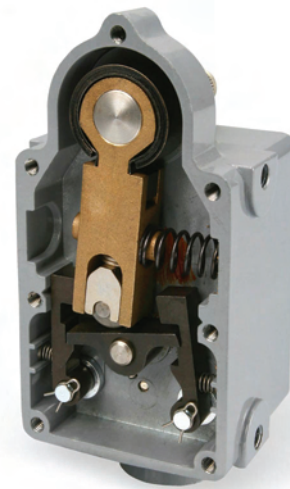
Provide Separate Enclosures for Mechanical and Electrical Sides

Electrical Side



The electrical side, completely separated from the mechanical side, provides ample wiring space and readily accessible terminal screws in the molded contact blocks. The contact lever carries self-wiping silver-alloy contacts and is connected directly by a shaft to the latch bar on the mechanical side. Water and oil tight enclosures are assured by the use of proper gasket materials.

Mechanical Side



The contacts are positively maintained until the latch bar is disengaged by the return travel of the lever to reset the switch. The return spring serves to reset the switch automatically to its original position when the force on the operating lever is removed, but with spring removed the operating lever will remain in either position as actuated.



**Series EA080
Standard**



**Series EA060
Short Travel**



**Series EA040
Neutral Position**

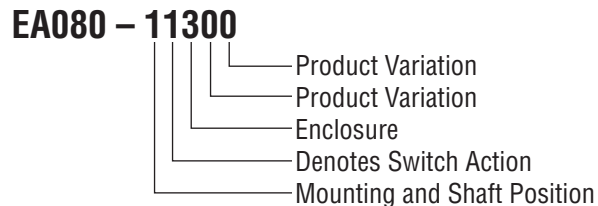
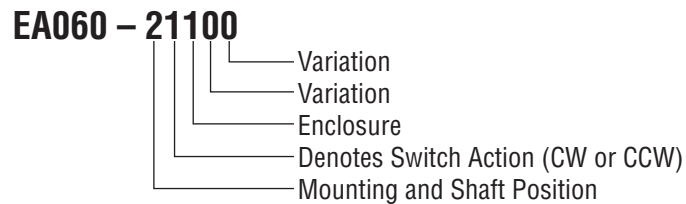
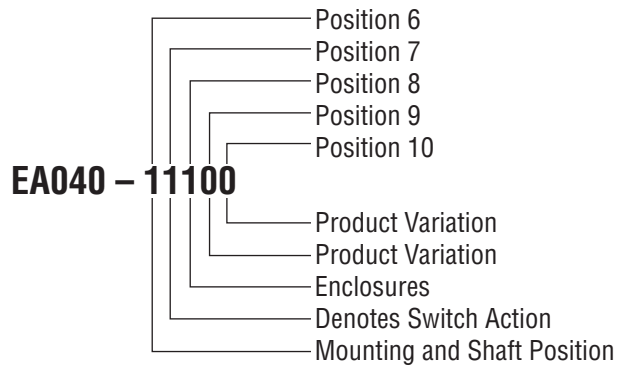
Catalog Numbering System

How to Read Part Numbers

Always order Switch and Operating Lever as SEPARATE ITEMS and use the Ordering Number listed. Refer to Series EL for Operating Levers.

EXAMPLE: To order a Standard Snap-Lock Switch and the operating lever considered as standard, use the catalog numbers as follows:

- 1 No. EA080-11100 Snap-Lock Switch
- 1 No. EL010-53420 Operating Lever Assembly



Position 6

- | | |
|--------------------------|----------------------------------|
| 1 Standard Front Shaft | 7 Standard Front and Back Shafts |
| 2 Wide Front Shaft | 8 Wide Front and Back Shafts |
| 4 Standard Reverse Shaft | 0 Special |
| 5 Wide Reverse Shaft | |

Position 7

- | | |
|-------|------------------|
| 1 CW | 3 Without Spring |
| 2 CCW | 9 Special |

Position 8

- | | |
|----------------------------------|-----------------------------------|
| 1 Standard Enclosure | 5 Standard Housing, Plastic Cover |
| 2 Epoxy Sealed Switch with Cable | 6 Sealed Switch with Connector |
| 3 Extreme Environment | 9 Special |
| 4 Tandem | |

Position 9 & 10

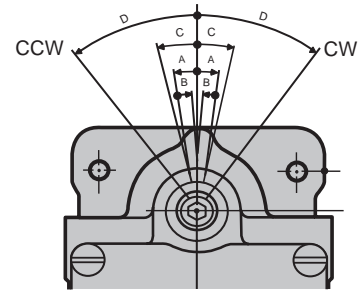
Denotes Product Variation

Note: The above chart is designed to help identify an existing model number. It is not intended to be used to select a model number.



With mechanical travel of less than 6½° required to trip, this heavy duty limit switch operates with one normally open and one normally closed circuit.

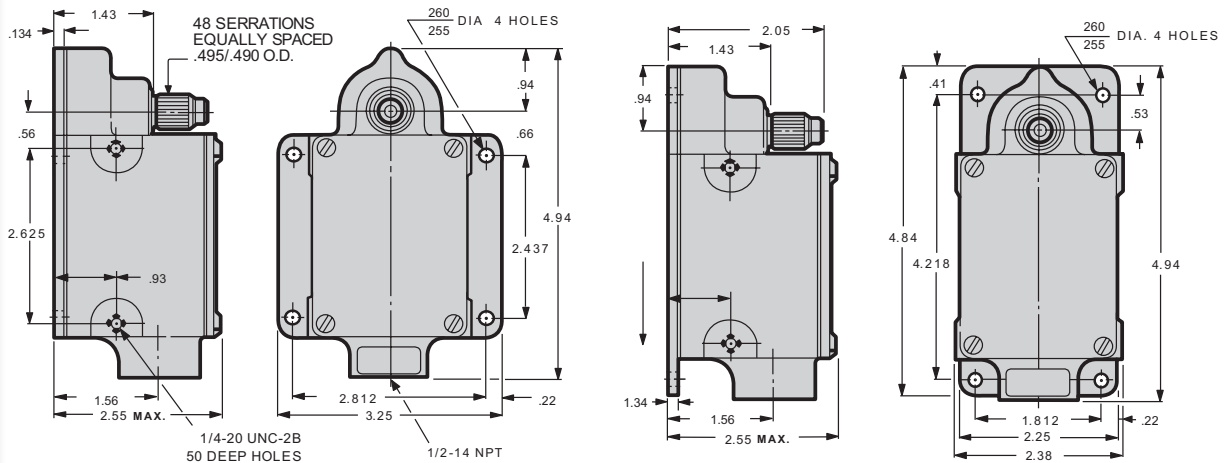
Can be furnished with standard and style 1 mountings.



Direction of Rotation

- A. Pre-Travel 6°30'
- B. Differential Travel 4°
- C. Recommended Travel 7°
- D. Total Travel 35°
- E. Max. Torque During Pre-Travel 24 Lb-In
- F. Max. Torque at Total Travel 45 Lb-In
- G. Weight: Approx. 2.3 Lbs.

Dimensions and Mounting



Wide Mounting Plate

Long Mounting Plate

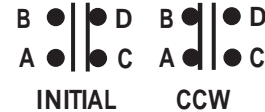
ORDERING INFO		ORDERING NUMBERS	
TYPE MOUNTING	ROTATION CW	ROTATION CCW	MAINTAINED (WITHOUT RETURN SPRING)
LONG MOUNTING	EA060-11100	EA060-12100	EA060-13100
WIDE MOUNTING	EA060-21100	EA060-22100	EA060-23100

Contact Configurations

FOR CW SWITCH



FOR CCW SWITCH



Specifications

Heavy Duty, Machine Tool Type, Single Pole, Double Throw, Quick Make, Quick Break, Butt Type, NEMA Form "Z" Contacts.

Enclosure is Water, Oil and Dust Tight. Meets (NEMA) 1, 4, & 13 Requirements.

Torque Necessary for Operation of Switch 24 in. lb. (Without Return Spring, Item 25, 12 in. lb.)

Ambient Temperature: -20°C to + 90°C

For Hazardous Location Requirements, see EA880 Series.

Continuous Current Rating - Amperes

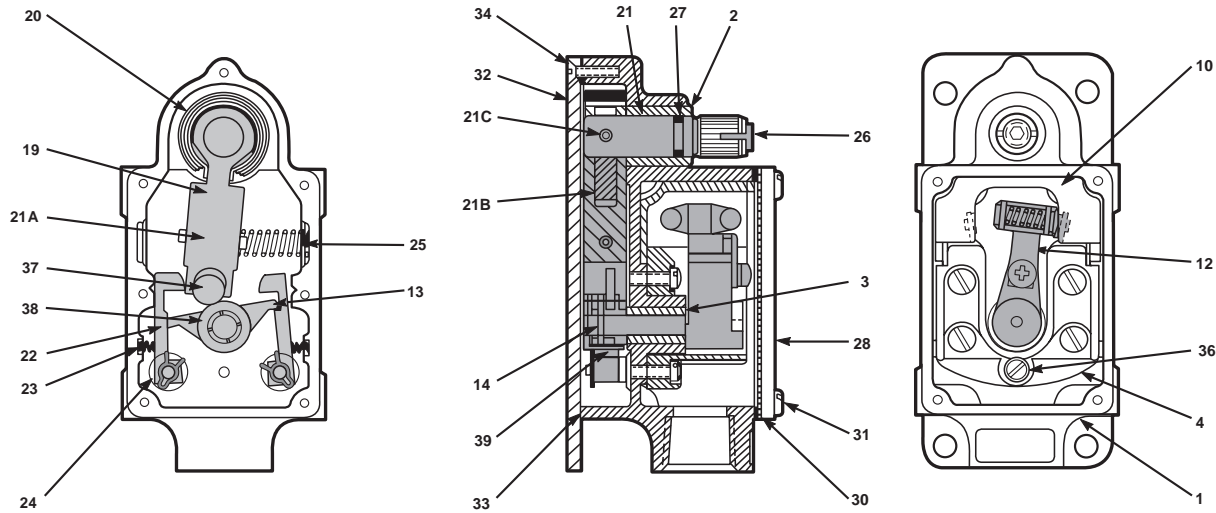
Volts	AC	DC
125	20	5
250	15	1.5
480	10	
600	5	

75-100% Power Factor

External Lever is Adjustable by 7°30' Increments thru 167°

FORM Z - A Form Z contact arrangement is one which has single-pole double-throw contacts with four terminals - two for normally open and two for normally closed. The function of this arrangement is to open one circuit and close the other. (NEMA Standard 11-12-1970).

Parts List



ITEM NO.	DESCRIPTION	QTY.	ITEM NO.	DESCRIPTION	QTY.
1	HOUSING ASSY.	1	24	LATCH RETAINING RING	2
2	BUSHING	1	25	RETURN SPRING	1
3	BUSHING	1	26	PIPE PLUG	1
4	CONTACT BLOCK	1	27	"O"-RING	1
10	END INSULATOR	1	28	TOP COVER	1
12	CONTACT LEVE ASSY.	1	30	TOP COVER GASKET	1
13	ROCKER ASSY.	1	31	TOP COVER SCREW	4
14	TAPER PIN	1	32	BOTTOM COVER	1
19	LEVER SHAFT ASSY. (INCLUDES ITEMS 20, 21, 21A, 21B & 21C)	1	33	BOTTOM COVER GASKET	1
20	TORSION SPRING	1	34	BOTTOM COVER SCREW	7
21	LEVER SHAFT	1	36	SCREW	2
21A	LEVER	1	37	FLOATING LEVER	1
21B	SPRING LEVER	1	38	WASHER	1
21C	ROLL PIN	1	39	TORSION SPRING	1
22	LATCH	2			
23	LATCH SPRING	2			